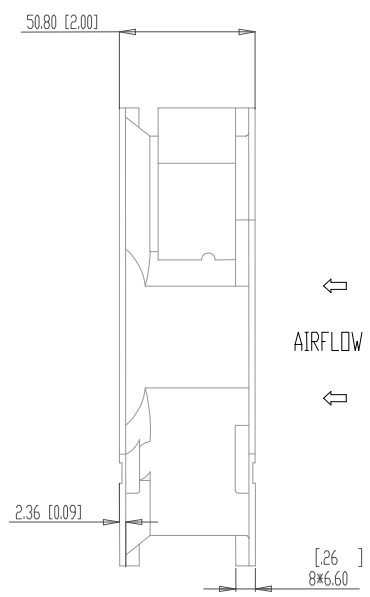
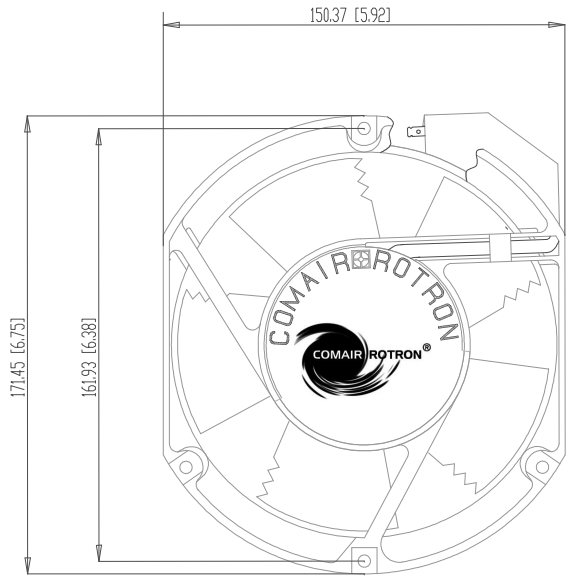


REV.	CD. NO.	ZONE	CHANGE	APP.	DATE
..

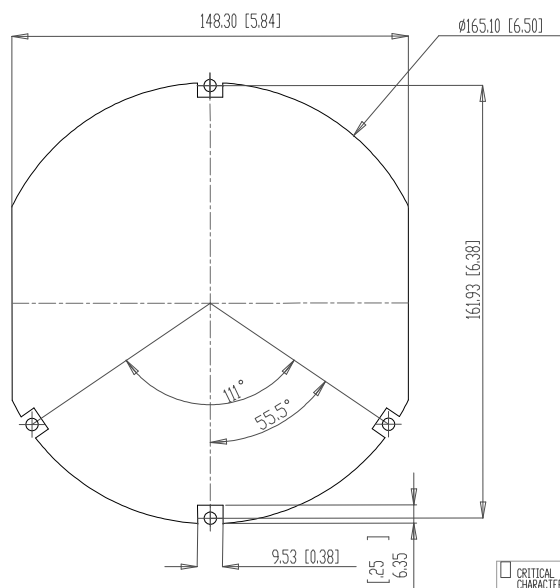
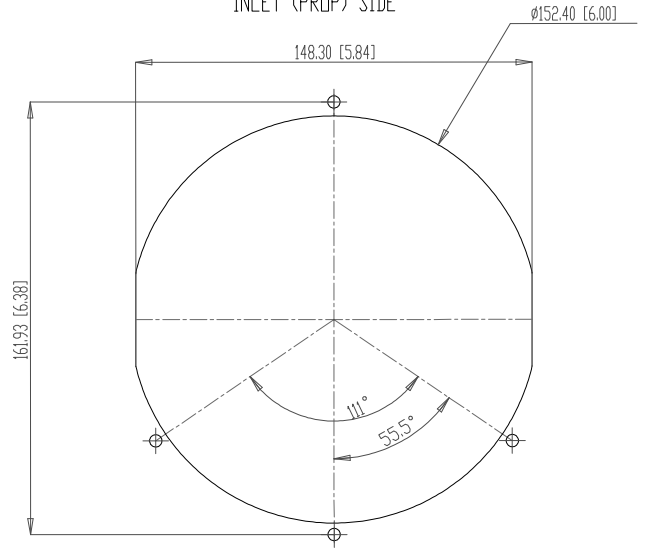


↔ ROTATION ↔

RECOMMENDED CUTOUTS

INLET (PROP) SIDE

EXHAUST (SPIDER) SIDE



CRITICAL TO FUNCTION, IDENTIFIES THOSE CHARACTERISTICS FOR WHICH VARIATION IS LIKELY TO AFFECT CUSTOMER SATISFACTION, SUCH AS FIT, FUNCTION, MOUNTING, APPEARANCE OR THE ABILITY TO PROCESS OR ASSEMBLE THE PRODUCT.

	PROPRIETARY AND CONFIDENTIAL THE INFORMATION CONTAINED IN THIS DRAWING IS THE SOLE PROPERTY OF COMAIR ROTRON. ANY REPRODUCTION IN PART OR AS A WHOLE WITHOUT THE WRITTEN PERMISSION OF COMAIR ROTRON IS PROHIBITED.	
	NO BURS ALLOWED	INSIDE AND OUTSIDE CORNERS UNLESS SPECIFIED MAY HAVE 200 MAX BREAK SHOW PER ASME Y14.5-1994 PRACTICES
MAJOR AC		
TOLERANCES UNLESS OTHERWISE SPECIFIED: FIN: .015 HOLE: .005 ANGLES: ±.01	MATERIAL:	ITEM No. 111111111 DRAWING No. 111111111 SHEET 1 OF 1
SCALE: 1:1 DESIGNED BY: Mike Gu CHECKED BY:	DATE: 2013-01-10 APPROVED BY:	REV. 11