

# SMD TYPE

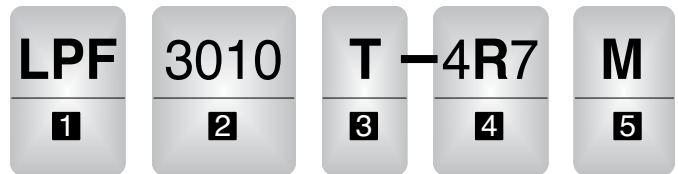
## FEATURES

- LPN series:  
Small size wound chip inductor with DC resistance  
These parts can be used in high-density mounting configurations.
- LPF series:  
Low profile, low DC resistance, and high current handling capacities.  
Because they are magnetically shielded
- LPL series:  
This is a Low DC resistance, best for the power supply line.  
There is a series of many types from low inductance to high inductance in large current.
- LPM series:  
Low profile, high current, and low resistance.  
The low profile makes the inductor particularly optimal for power circuit applications requiring low voltages and high current.

## APPLICATION

Mobile phone, Desk top PC, Note PC, Back Light, HDD, DC-DC converter and other electronic equipment.

## ORDERING CODE



1 Part name
LPF

2 Dimensions(mm)
L×W×H: 2.8×2.8×1.0

5 Inductance Tol. (%)
J ± 5
K ± 10
M ± 20
N ± 30

3 Packing style
T Taping
B Bulk

4 Inductance value[μH]
4R7 4.7
100 10
680 68
101 100
102 1000
472 4700

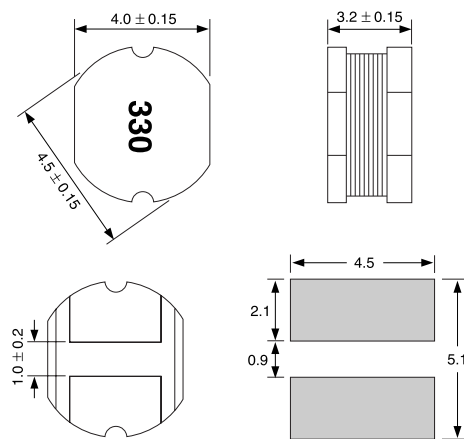
## LPN4532 SERIES

SMD Nonshielded type

## SHAPES & DIMENSIONS

### RECOMMENDED PCB PATTERN

(Dimensions in mm)



## ELECTRICAL CHARACTERISTICS

Ordering Code	Inductance (μH)	Inductance TOL.(%)	Test Freq. (KHz)	DC Resistance (Ω)Max	Rated Current(A)
LPN4532T-1R0M	1.0	± 20	100	0.048	2.7
LPN4532T-1R5M	1.5			0.056	2.6
LPN4532T-2R2M	2.2			0.071	1.9
LPN4532T-3R3M	3.3			0.086	1.7
LPN4532T-4R7M	4.7			0.108	1.5
LPN4532T-6R8M	6.8			0.131	1.3
LPN4532T-100K	10	± 10		0.182	1.1
LPN4532T-150K	15			0.235	0.85
LPN4532T-220K	22			0.378	0.68
LPN4532T-330K	33			0.540	0.56
LPN4532T-470K	47			0.844	0.44
LPN4532T-680K	68			1.117	0.37

## TEST EQUIPMENTS

- Inductance: Agilent 4284A LCR Meter (100KHz 0.5V)
- Rdc: HIOKI 3540 mΩ HiTESTER
- Bias Current: Agilent 4284A + Agilent 42841A
- Inductance drop = 10%typ. at rated current

## OPERATING TEMPERATURE RANGE

-20 ~ +85°C (Including self-generated heat)