

Empfohlener Ausschnitt für Rastbefestigung
(Grat gegenüber Bestückungsseite)

recommended cut-out for snap-in fixing
(edge opposite to snap-in direction)

Wanddicke
wall-thickness

Ausschnittlänge
length of cut-out

Ausschnittbreite
width of cut-out

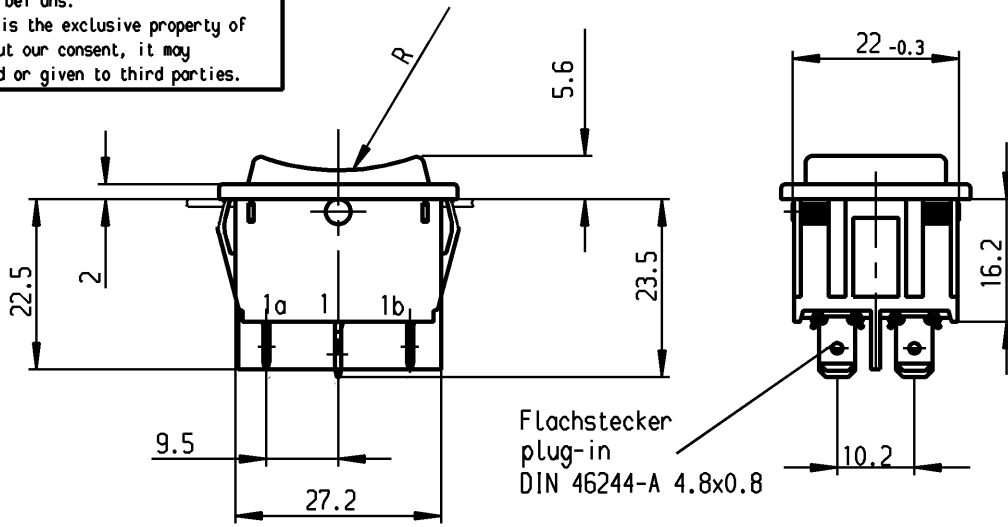
0.75 to / bis 1.25
1.25 to / bis 2
2 to / bis 3

30 -0.1
30.2 -0.1
30.6 -0.1

22 +0.2
22 +0.2
22 +0.2

VERTRAULICH-CONFIDENTIAL

© Alle Rechte bei Marquardt, auch fuer den Fall von Schutzrechtsanmeldungen. Jede Verfuegungsbefugnis, wie Kopier- und Weitergaberecht, bei uns.
© This document is the exclusive property of Marquardt. Without our consent, it may not be reproduced or given to third parties.



Flachstecker
plug-in
DIN 46244-A 4.8x0.8

Aufschrift
Marking

Ⓜ
1839.
6(4)/250 ~ T105/55



6A 125-250V AC

1/8 HP

R58

Herstellort/-jahr/-woche
nach DIN EN 60062

code of manufacture:
place / year / week
acc. to DIN EN 60062

Umschalter 2-polig

Ausstellung in der Mitte

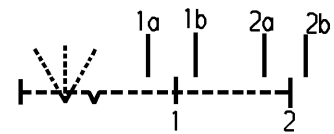
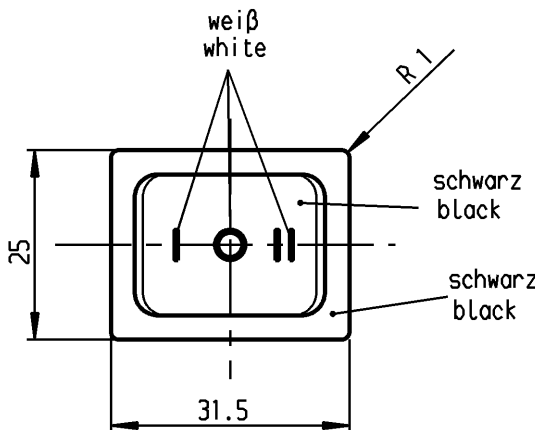
Für Geräte der Klasse II geeignet

Mit integrierter Systemabdeckung

DPDT

with centre-off

suitable for appliances of class II
with integrated system cover



Schutzvermerk
nach DIN 34 beachten
COPYRIGHT RESERVED

| | | | | | | | | | | | | | | | | | | | | | | | | | | | | |
|---|----------------------------|---|--|--------------------|----------------------------|----------------------------|-----------------|---|-------|-------------------------------|--------|-------|--|---------|---|-------|----------|---|--|-----------------------------------|--|--|--|--|--|-------------------------------------|--|--|
| Fuer Form und Lage FOR SHAPE AND LOC. | Fuer Winkel FOR ANGLE ± 2° | Allgemeintoleranzen UNTOLERANCED DIMENSIONS | | | | Pause COPY | Blatt SHEET | | Typ K | Zeichn./DRAWING NO. 1839.1518 | Index | | | | | | | | | | | | | | | | | |
| | | PROJECTION | Abmasse und Nennmassbereiche Angaben in mm | Laengen LENGTH | Radien RADII | | Original DIN A4 | Maßstab SCALE 1:1 | | | | | | | | | | | | | | | | | | | | |
| <table border="1"> <tr> <td>0-6</td> <td>± 0.2</td> <td>± 0.2</td> </tr> <tr> <td>>6-15</td> <td>± 0.4</td> <td>± 0.4</td> </tr> <tr> <td>>15-30</td> <td>± 0.4</td> <td>± 0.4</td> </tr> <tr> <td>>30-70</td> <td>± 0.6</td> <td></td> </tr> <tr> <td>>70-120</td> <td>±</td> <td>± 10%</td> </tr> <tr> <td>>120-200</td> <td>±</td> <td></td> </tr> </table> | | 0-6 | ± 0.2 | ± 0.2 | >6-15 | ± 0.4 | ± 0.4 | >15-30 | ± 0.4 | ± 0.4 | >30-70 | ± 0.6 | | >70-120 | ± | ± 10% | >120-200 | ± | | ALL DIMENSIONS ARE IN MILLIMETRES | | | | | | Geraeteschalter Appliance Switch | | |
| 0-6 | ± 0.2 | ± 0.2 | | | | | | | | | | | | | | | | | | | | | | | | | | |
| >6-15 | ± 0.4 | ± 0.4 | | | | | | | | | | | | | | | | | | | | | | | | | | |
| >15-30 | ± 0.4 | ± 0.4 | | | | | | | | | | | | | | | | | | | | | | | | | | |
| >30-70 | ± 0.6 | | | | | | | | | | | | | | | | | | | | | | | | | | | |
| >70-120 | ± | ± 10% | | | | | | | | | | | | | | | | | | | | | | | | | | |
| >120-200 | ± | | | | | | | | | | | | | | | | | | | | | | | | | | | |
| c | 64508 | 26.08.09 | hhe | g | CAD Medusa | | Z | | | | | | | | | | | | | | | | | | | | | |
| b | 35777 | 12.03.03 | hhe | e | gez./DRAWN BY 05.02.03 hhe | | | | | | | | | | | | | | | | | | | | | | | |
| a | 35614 | 05.02.03 | hhe | d | gepr./CHECKED BY mej | | | | | | | | | | | | | | | | | | | | | | | |
| Ausg. ISSUE | Aenderung REVISION | gez. DRAWN BY | Ausg. ISSUE | Aenderung REVISION | gez. DRAWN BY | Ersatz fuer/REPLACEMENT OF | | MARQUARDT Marquardt, D-78604 Riethem-Weilheim | | | | | | | | | | | | | | | | | | | | |