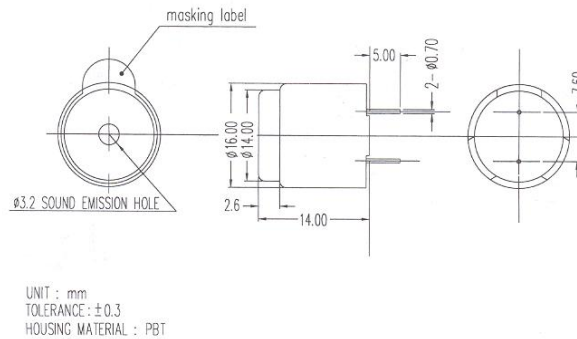


Product Data Sheet Part No. WST-1606S Washable Type

(self drive circuit)

DIMENSIONS



Type	Unit	
Color		Black
Rated Voltage	(V)	6
Operating Voltage	(V)	4-8
Current Consumption	(mA)	MAX.30
Sound Output (Min)	(dB)	85
Resonance Frequency	(Hz)	2300±200
Operating Temp	(C)	-20~+60
Storage Temp	(C)	-30~+70
Weight	(g)	7
Terminal		PIN TYPE
Dimension	mm	16 x H14
*applied voltage: rated voltage (DC)		
*distance for measurement 10cm		

CHARACTERISTICS

