

ACT7000 Series

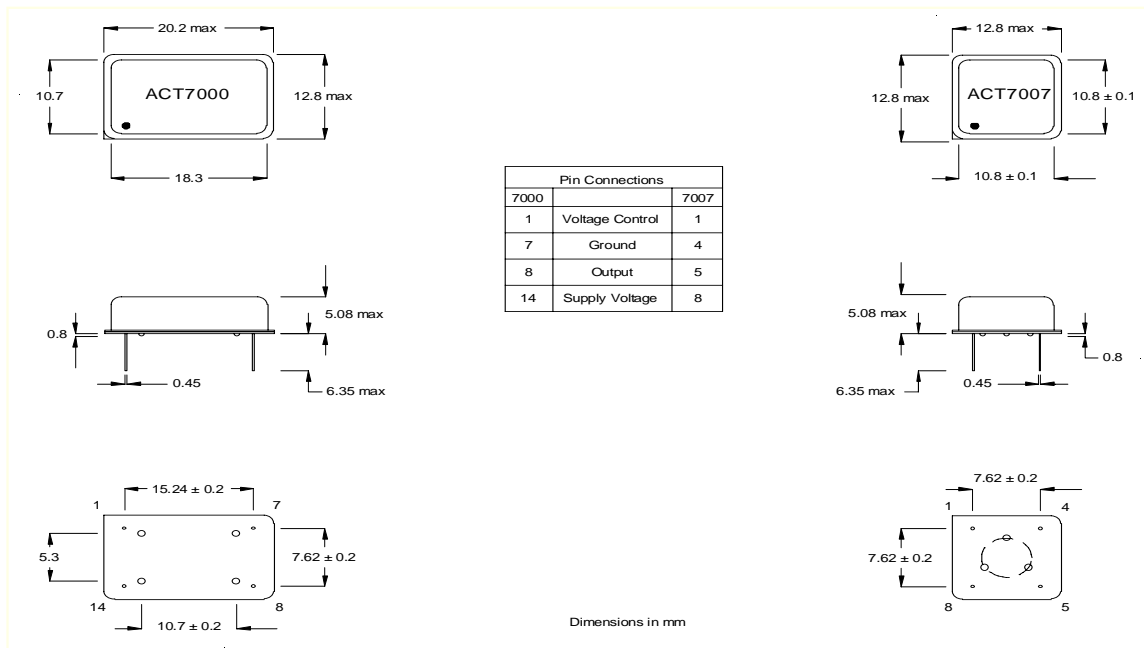
Compatible with Eu Directive
2002/EC - RoHS

The ACT7000 / 7007 are 4-pin through hole Voltage Controlled Crystal Oscillators (VCXO) housed in industry standard full size and half size metal cans. Just over 5mm high, they are suitable for closely packed applications where surface mount is not desirable or some degree of screening is required. These devices can be tuned between $\pm 30\text{ppm}$ & $\pm 200\text{ppm}$ from the nominal frequency by varying the voltage on pin 1.



Specification

Parameter	Symbol	Specification		Conditions
Supply Voltage	Vdd	3.3VDC $\pm 5\%$	5.0VDC $\pm 5\%$	
Frequency Range	fo	0.5 MHz ~ 100 MHz	0.5 MHz ~ 156 MHz	0 ~ +70°C
		0.5 MHz ~ 90 MHz	0.5 MHz ~ 140 MHz	-40 ~ +85°C
Frequency Stability	$\Delta f/f_0$	$\pm 25\text{ppm} \sim 100\text{ppm}$		Please specify
Temp Operating Range	Topr	0 to +70°C (std) & -40 ~ +85°C		Please specify
Storage Temp Range	Tstg	-40 to 85°C		
Supply Current	Iop	15 ~ 45mA		Frequency dependant
Rise & Fall Time	Tr/Tf	TTL 5nS max, 2nS typ.		
		Measured between 0.4V ~ 2.4V (RL=390Ω; CL=15pF)		
		CMOS 5nS max, 2nS typ.		
		Measured between 10 ~ 90%VDD (CL=15pF)		
Output Load	N/CL	5 ~ 10TTL / 15 ~ 50pF		
Output Voltage	VOL	0.4V max	0.4V max TTL:	
	VOH	0.33V max	0.5V max CMOS	
		2.4V min	2.4V min TTL	
		2.97V min	Vcc -0.5V min CMOS	
Pulling Range	Δf_c	$\pm 30 \sim \pm 150\text{ppm}$	$\pm 80 \sim \pm 200\text{ppm}$	
Voltage Control Range	Vc	0.3 ~ 3.0V	0.5 ~ 4.5V	
Duty Cycle	Tw/t	40/60%		
		TTL measured @ +1.4V, CMOS		@ 50%VD
Start Up Time	Tosc	10mS max		
Input impedance		(Vcontrol)10KΩ @ 10KHz		
Aging	Fa	$\pm 5\text{ppm} / \text{year max}$		@25°C



Please note that all parameters can not necessarily be specified in the same device

Customer Specification Information : Package, Frequency, Frequency Stability, Operating temperature range, Supply Voltage, Pulling Range & Polarity

In line with our ongoing policy of product evolution and improvement, the above specification may be subject to change without notice

ISO9001:2000 Registered

For quotations or further information please contact us at:

3 The Business Centre, Molly Millars Lane, Wokingham, Berkshire, RG41 2EY, UK

<http://www.actcrystals.com>

Issue: 3 M6
Date 10/08/04