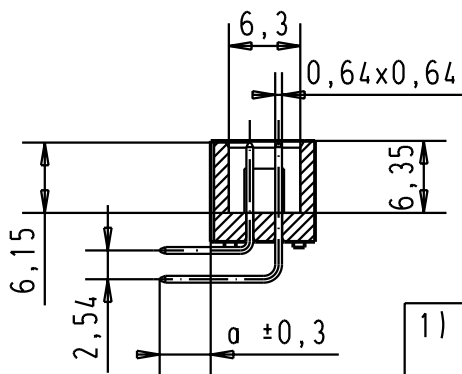
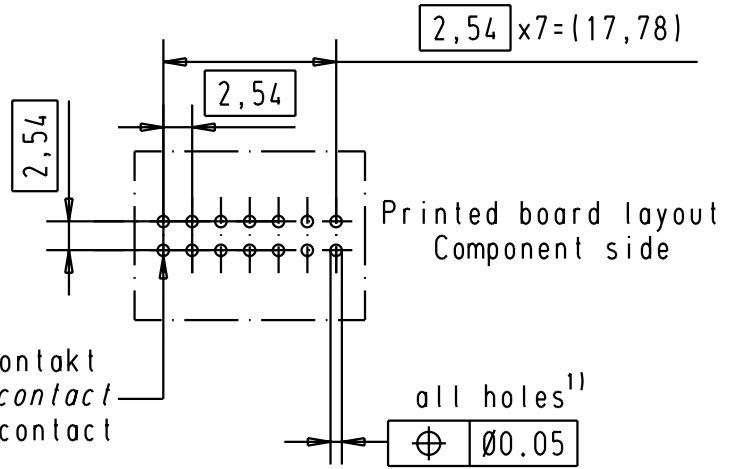
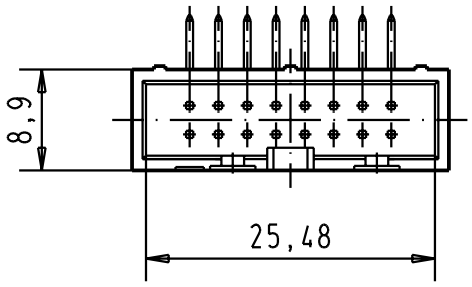
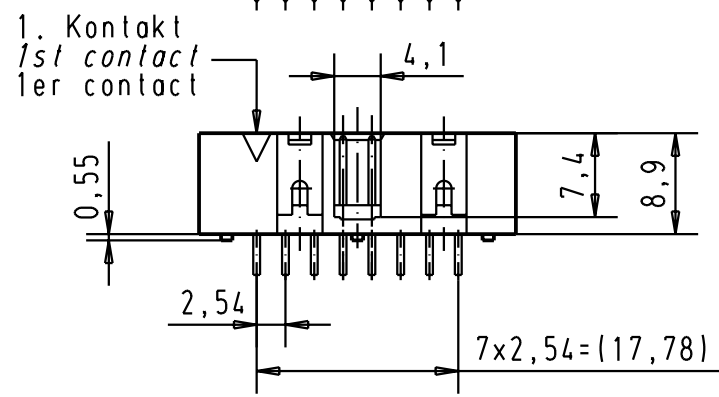
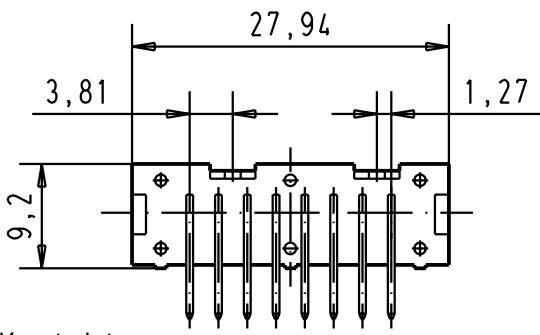
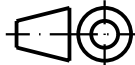



5 4 3 2 1



1) Einlotstifte passend für Lochungen  
 $\phi 1 \pm 0,1$  nach IEC 60326-3  
*Solder pins for PCB connections*  
 $\phi 1 \pm 0,1$  as per IEC 60326-3  
 A souder pour des trous de  $\phi 1 \pm 0,1$   
 selon IEC 60326-3

A	09195167321	3	4,5							 All Dim. in mm Orig. Size DIN A 4	SEK 19 Male connector 16 poles, low profile, high temperature with angled pins	Maßstab/ Scale 1.5:1
	09195166321	2	4,5				Det.	25-APR-02	CV			
	09195165321	0.76 $\mu\text{m Au}$	4,5				Insp.					
	09195167323	3	2,9				Stand.					
	09195166323	2	2,9									
	09195165323	0.76 $\mu\text{m Au}$	2,9	29778	25-APR-02	CV						
	Part-No.	performance level	a	Mod.	Dat.	Name	HARTING EURL F-95972 Paris				TB 0919516x32x Sub.	Blatt/ Page 2 / 2

**09 19 516 5323**  
**IDC male connector**

Other applications

Connector size	16 contacts
Termination	Angled solder pin
Profile	Low-profile male header
Moulding	High Temperature Material
Termination length	2.9 mm
Performance level	AU-0.76 $\mu$ m [30 $\mu$ Inch]

[Inquiry](#)

The data sheet is up to date

2D files

[PDF](#)

[DXF](#)

**09 19 516 6323**  
**IDC male connector**

Other applications

Connector size	16 contacts
Termination	Angled solder pin
Profile	Low-profile male header
Moulding	High Temperature Material
Termination length	2.9 mm
Performance level	Performance level 2



Data sheets are available in following formats

2D files

Typenblatt

Typenblatt

**09 19 516 7323**  
**IDC male connector**

Other applications

Connector size	16 contacts
Termination	Angled solder pin
Profile	Low-profile male header
Moulding	High Temperature Material
Termination length	2.9 mm
Performance level	Performance level 3

[Inquiry](#)

The data sheet is up to date

2D files

[PDF](#)

[DXF](#)