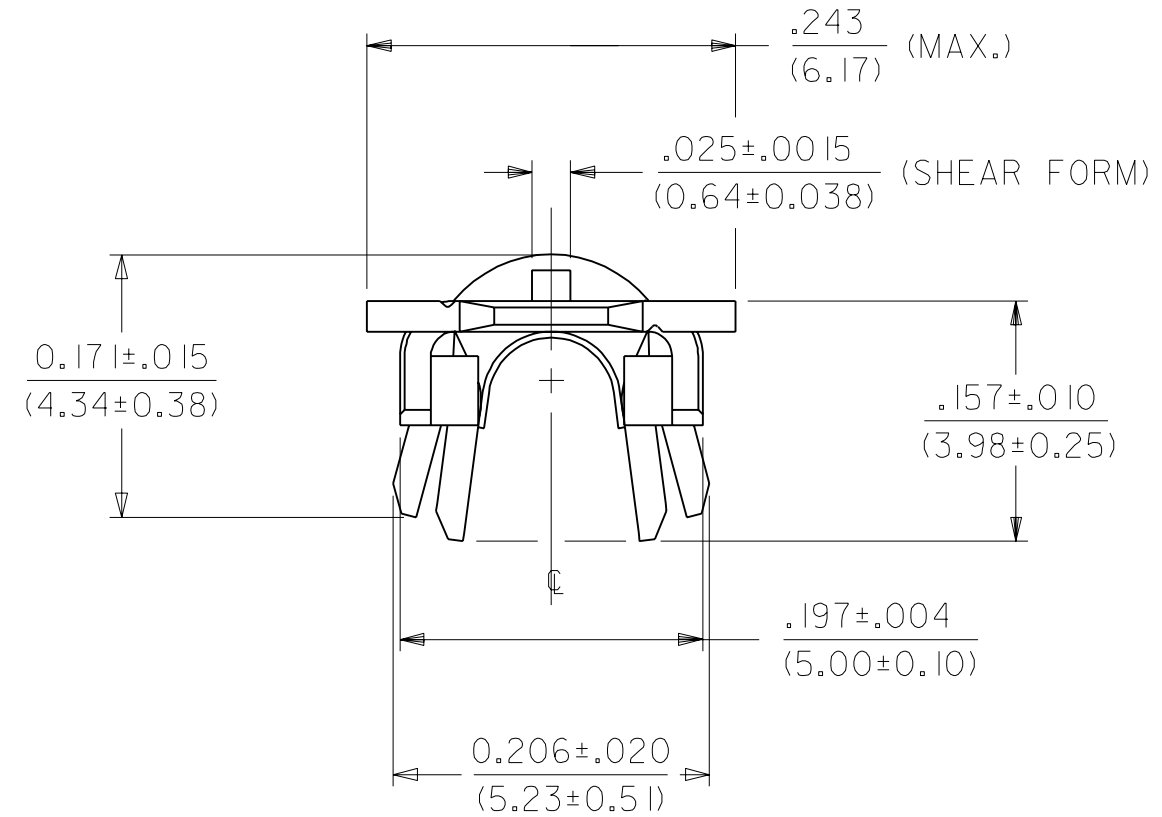
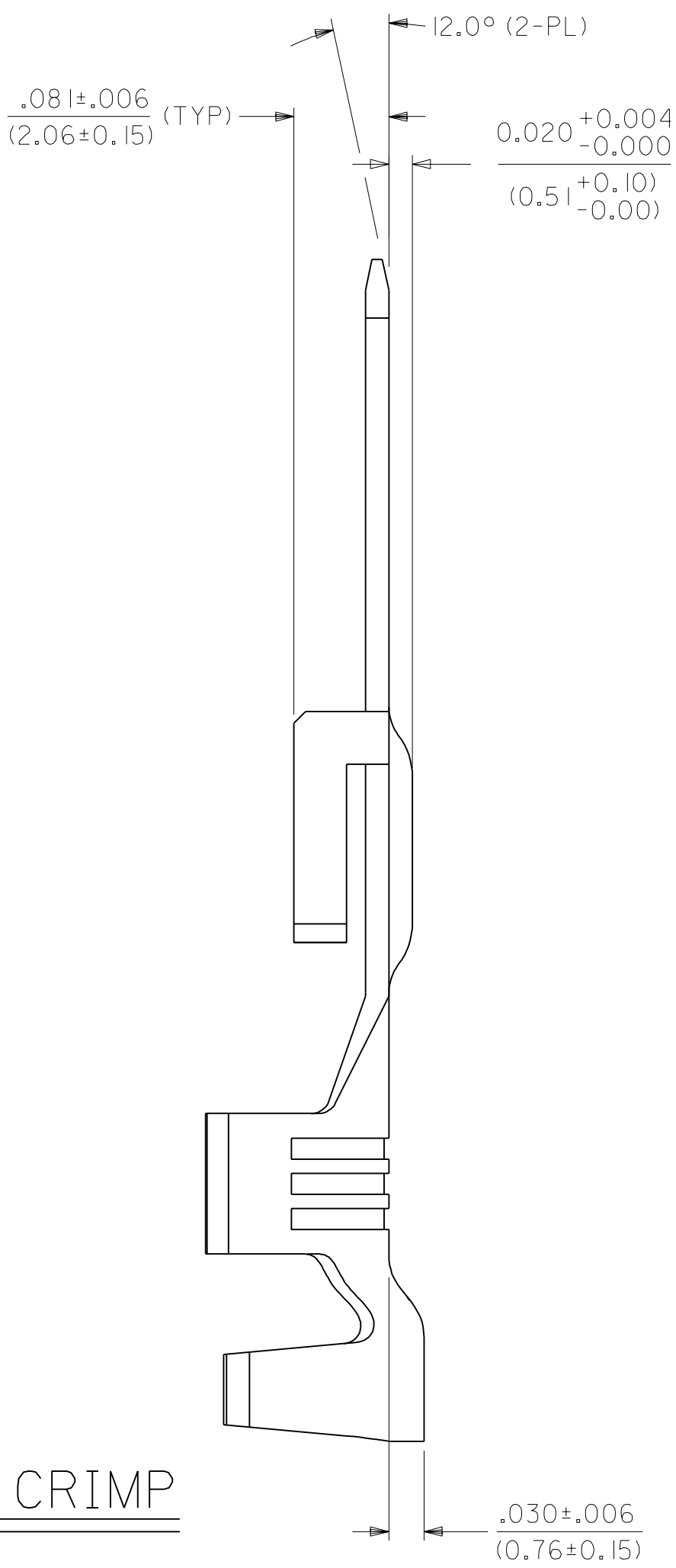
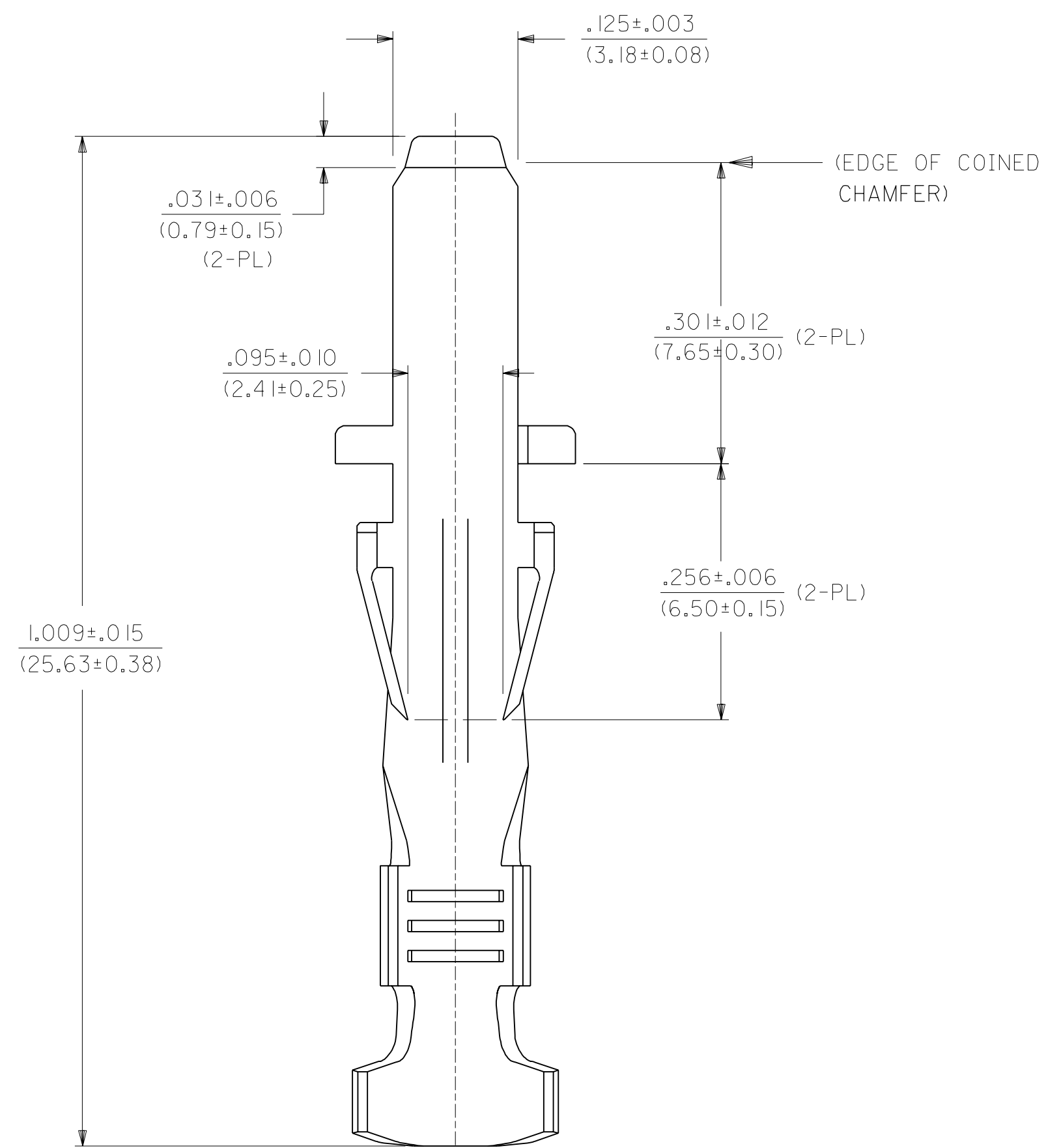


MATERIAL NUMBER	FINISH	HOLE
43178-5001	999	NOT USED
43178-5002	H901	NOT USED
43178-5003	F542	NOT USED



NOTES

- MATERIAL: BRASS
- FINISH:
999 - UNPLATED
H901 - 20 MICROINCH MIN. HOT TIN DIP
F542 - 15 MICROINCH MIN. SELECT GOLD IN CONTACT AREA, 50 MICROINCH TIN-LEAD IN CRIMP AREA, NICKEL UNDERPLATE OVERALL.
- PRODUCT SPECIFICATION : PSX-44441-9999.
- TERMINAL FOR USE WITH A SINGLE #18 AWG UL TYPE 1015 WIRE, HAVING A MAXIMUM INSULATION DIAMETER OF .130/(3.30).
- TERMINAL FOR USE WITH SABRE SERIES HOUSINGS AND APPLICATIONS REQUIRING TERMINALS MEET UL1950 SPACING REQUIREMENTS.



SMALL INSULATION CRIMP

A1	REVISED EC*UCR2002-1132 6/27/02 BW
A	RELEASE UCR 2002-0837 4/5/02 BW

MFG.	SH.	REV.	LTR.	REVISIONS

DIMENSIONS SHOWN (METRIC) INCH	
UNLESS OTHERWISE SPECIFIED TOLERANCES: ANGULAR ± 1/2°	
3 PLACE	± --- ---
2 PLACE	± --- ± ---
1 PLACE	--- ± ---
DRAFT WHERE APPLICABLE MUST REMAIN WITHIN DIMENSIONS	
DRWG. BY: BW	CHK'D. BY: BW
APP'D. BY: SF	SCALE: 8:1

▽ = 0	▼ = 0	REVISE ONLY ON CAD SYSTEM
TITLE CRIMP MALE TAB, UL1950 .125/(3.18) X .020/(0.51) 18 AWG, SABRE		
MOLEX INCORPORATED LITLLE, ILL. 60532 U.S.A.		SHEET NO. 1 OF 1 DATE 04/05/02
PART NO. SEE CHART		DRWG. NO. SD-43178-5***

THIS DRAWING CONTAINS INFORMATION THAT IS PROPRIETARY TO MOLEX INC. AND SHOULD NOT BE USED WITHOUT WRITTEN PERMISSION.		DIV. CP	SIZE C
--	--	---------	--------