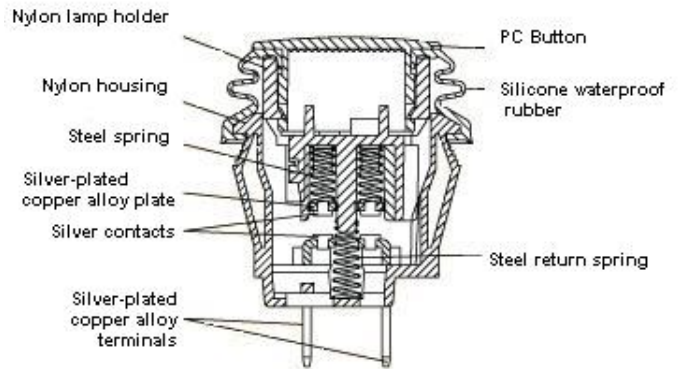


Waterproof Round Pushbutton

KF Series



Features

- Enclosed switch complies to IP65
- Available in single or double pole
- Lighted and non-lighted versions
- Maintained and momentary switch functions
- Snap-in mounting
- Mechanical life: 100,000 cycles
- DC electrical life: 10,000 cycles

Electrical Ratings

Switch Series	VDC	UL1054 Rating	Electrical Life at Rated Load
			According to UL (Min. Operations)
KF	20A 14VDC; 10A 28VDC	10A 125V AC; 6A 250 VAC 1/2HP; 125/250 VAC	6,000

Electrical Specifications		Material Specifications	
Ratings:	10A 125 VAC; 6A 250 VAC; ½ HP 125/250 VAC	Actuator:	Polycarbonate 94V-2
Dielectric Strength:	1500VAC for 1 minute	Housing:	Nylon 66 94V-2
Insulation Resistance:	100M Ω min at 500VDC	Spring:	Steel
Initial Contact Resistance:	0.050 ohms max	Contacts:	Silver Alloy
Temperature Range:	-25°C to + 85°C	Movable Arm:	Silver plated Copper Alloy
Waterproof Rating:	IP65	Terminals:	Silver plated Copper Alloy
		Rubber Boot:	Silicone



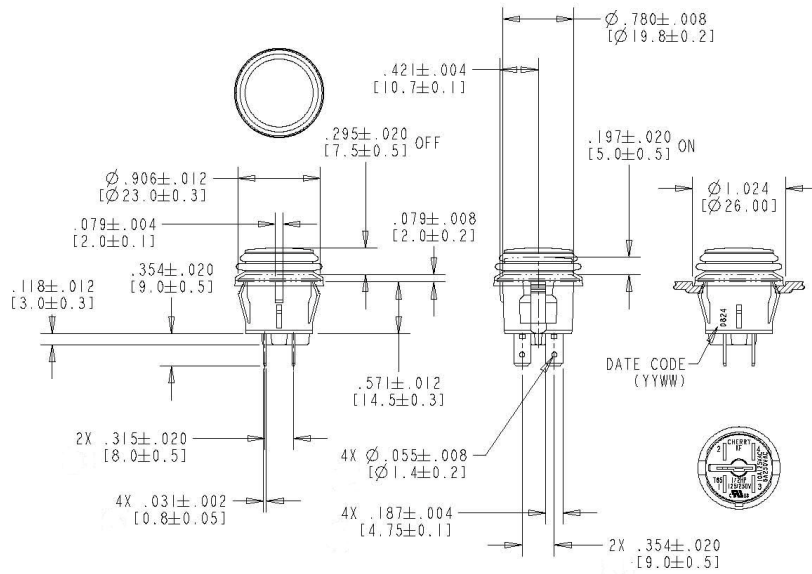
RoHS Compliant
UL File No: E23301

Specifications subject to change without notice.

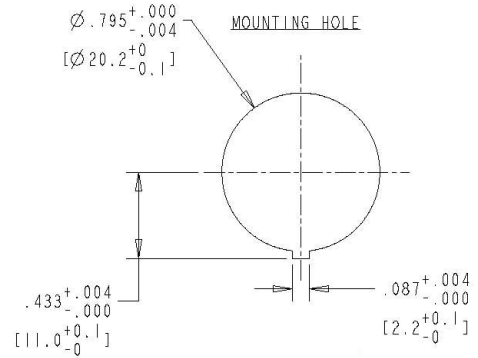
Waterproof Round Pushbutton Switch

KF Series

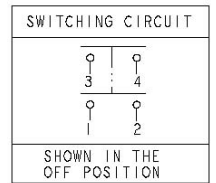
Dimensions Inches (mm)



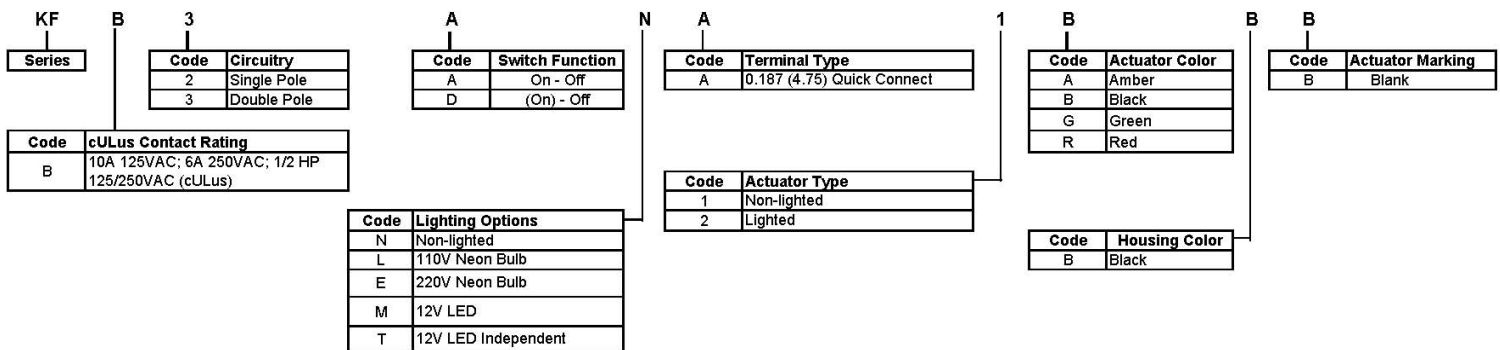
Recommended Panel Cut-Out Dimensions inches (mm)



PANEL THICKNESS
.028 TO .098
[0.7 TO 2.5]



Ordering Information



Waterproof Round Pushbutton

KF Series

Examples of Common Part Numbers and Descriptions inches (mm)

Part Number	Circuitry	Switch Function	Terminal Type	Actuator/ Housing Color	Legend Marking
KFB2ANA1BBB		On-Off	0.187 (4.75) Quick-Connect	Black/Black	
KFB2ALA2RBB		On-Off (Illuminated)	0.187 (4.75) Quick-Connect	Red/Black (Red Lens)	
KFB2DNA1BBB		(On) – Off	0.187 (4.75) Quick-Connect	Black/Black	
KFB3ANA1BBB		On – Off	0.187 (4.75) Quick-Connect	Black/Black	
KFB3ALA2RBB		On-On (Illuminated)	0.187 (4.75) Quick-Connect	Red/Black (Red Lens)	

Contact

Call, fax or visit our Website for more information.

ZF Electronics Corporation
11200 88th Avenue
Pleasant Prairie, WI 53158

Phone: 262.942.6500
Web: www.cherrycorp.com
Email: cep_sales@zf.com
Fax: 262.942.6566

The manufacturer accepts no liability for errors or non-availability, and reserves the right to change specifications without prior notice.

Technical data relates to product specifications only. Features may differ from those described. Only drawings combined with product specifications shall be deemed binding.

© 2007 ZF Electronics Corporation

Last Updated:072712



Mouser Electronics

Authorized Distributor

Click to View Pricing, Inventory, Delivery & Lifecycle Information:

[CHERRY:](#)

[KFB3ALA2RBB](#) [KFB2ALA2RBB](#) [KFB2ANA1BBB](#) [KFB2DNA1BBB](#) [KFB3ANA1BBB](#)