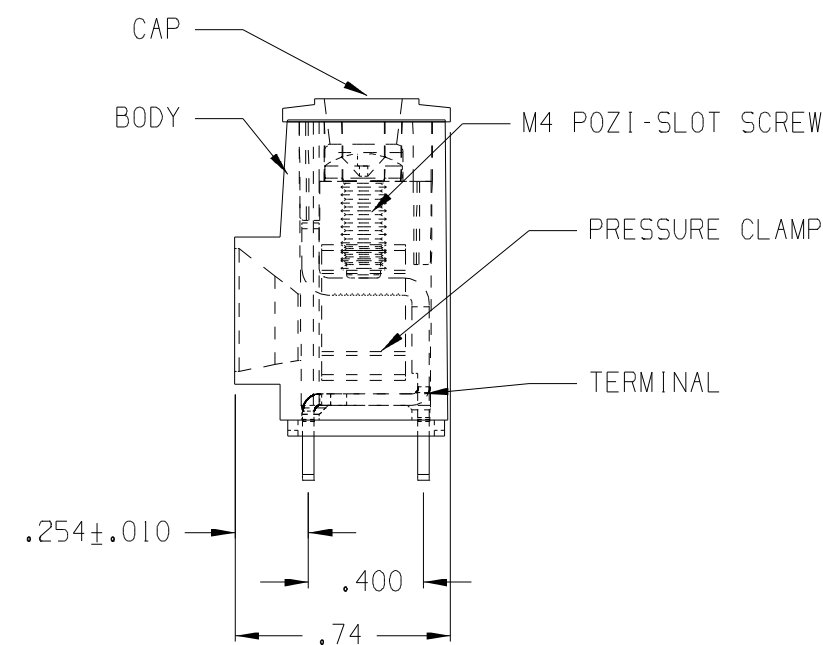
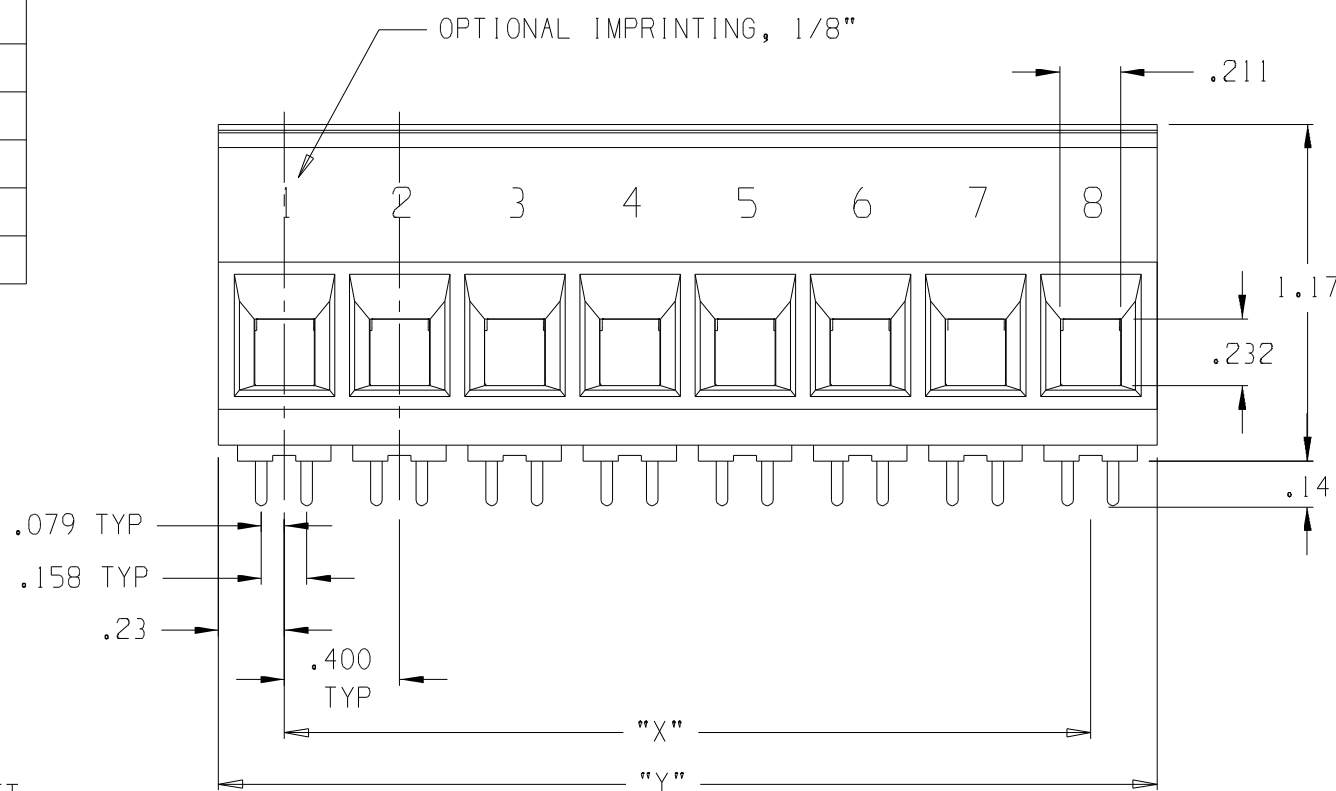
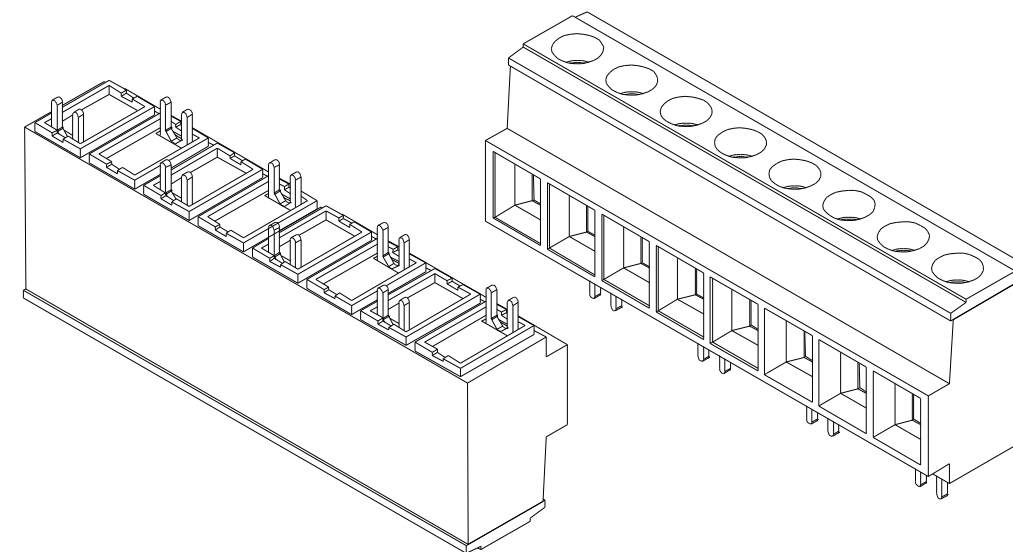
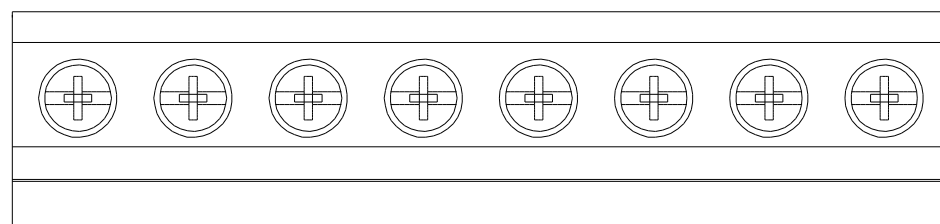
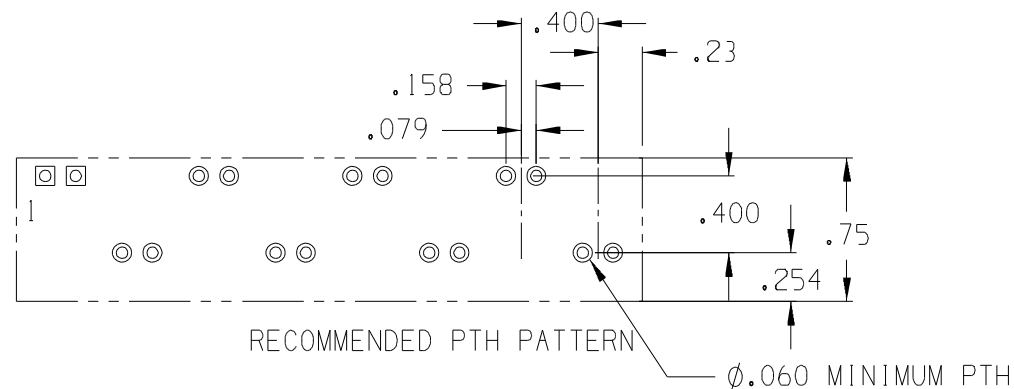


LENGTH TABLE		
NO. CIRCUITS	"X"	"Y"
03	0.800	1.26
04	1.200	1.66
05	1.600	2.06
06	2.000	2.46
07	2.400	2.86
08	2.800	3.26
09	3.200	3.66
10	3.600	4.06
11	4.000	4.46
12	4.400	4.86
13	4.800	5.26
14	5.200	5.66



NOTES:

- PART IS DESIGNED TO MEET UL 1059 CLASS C 600V, 60A
- STAGGERED PC TAIL POSITION ON ALTERNATE CIRCUITS



CONFIDENTIAL
CONTAINS ORIGINAL CONCEPTS, DESIGNS AND EXPRESSIONS THEREOF TO WHICH THE INTELLECTUAL PROPERTY RIGHTS ARE RESERVED. NO RIGHT OR LICENSE TO USE OR DISSEMINATE IS GRANTED HEREBY

ALL DIMENSIONS ARE IN INCHES

09-25-00	DATE	DRAWN BY: GHR	DATE: 09-25-00
RELEASED	ECO NO.	CHECKED BY:	DATE:
Ø	REV. SYM.	APPROVED BY:	DATE:
TOLERANCES (EXCEPT AS OTHERWISE NOTED)			
DECIMALS: .XX ± .01			
.XXX ± .005			
.XXXX ± .0015			
FRACTIONS: ± 1/64 ANGLES: ± 1°			
DO NOT SCALE DRAWING			

PART NO.		MATERIAL		FINISH	
BEAU INTERCONNECT		BEAU INTERCONNECT 4 AVIATION DRIVE GILFORD, NEW HAMPSHIRE 03246			
TITLE: SR BTS 6 AWG ASSY, 600V, 60A					
SIZE: B	CADKEY FILE: 9105.PRT	SCALE: 3:2	DWG NO. 9105-XX		
PROJECT NO. E-457	USED ON: 600V APPLICATIONS			SHEET 1 OF 1	