

OFC

OFC-7500/7360

Low Power and Touch Screen Ready 10.4" LCD Computer

Features and Benefits:

- OFC-7500 : Intel® Pentium® M / Celeron® M Socket 478 up to 1.8GHz
- OFC-7360 : VIA Eden™ 733 MHz on board
- For small size open frame computer
- Follow customer need make front bezel
- Easy maintain & remove bezel (No screw) from system front size
- Low power consumption and economical solution
- Creative Space Utilization
- High precision touch screen
- On-board IDE interface, Type II CompactFlash slot



No. 24, Lane 365, Yang Guang St., Nei Hu District, Taipei 114, Taiwan, R.O.C.

Tel: +886-2-8751-1111

Fax: +886-2-8751-1199

Email: sales@protech.com.tw

<http://www.protech.com.tw>

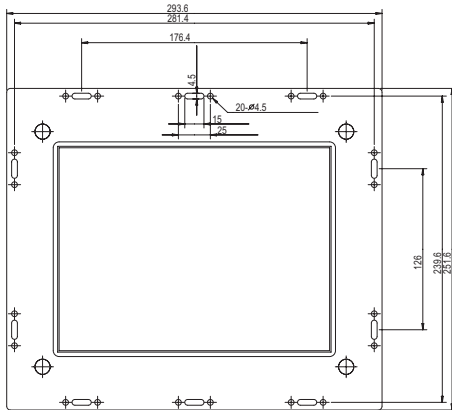


ISO CERTIFIED
9001 14001

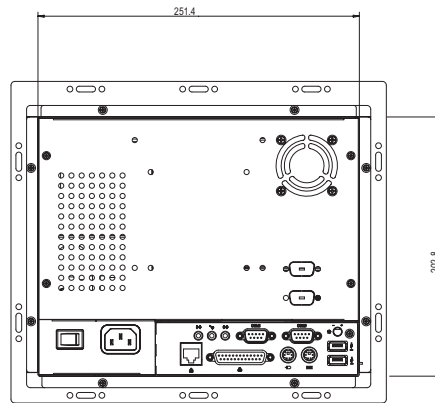
OFC-7500 OFC-7360

Low Power and Touch Screen Ready 10.4" LCD Computer

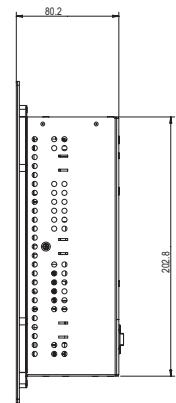
Front View



Rear View



Side View



Unit: mm

Specification

System	
CPU Type	OFC-7500 ; Intel® Pentium® M / Celeron® M Socket 478 up to 1.8GHz OFC-7360 ; VIA Eden™ 733MHz on board
Memory Support	OFC-7500 ; 1 x 200pin DDR SO-DIMM, support DDR 333 SDRAM up to 1GB OFC-7360 ; 1 x DIMM, PC133 memory up to 512M SDRAM
Open Frame	Yes
Power Supply	AC ATX 110W power supply
O.S. Support	Win 98SE / 2000 / XP, Linux Redhat 8.0/9.0
Dimension (WxHxD)	2940 x 252 x 80 mm (11.57" x 9.92" x 3.15")
System Weight	6 Kg (13.22lb)
Certificate	CE / FCC / LVD / UL

I/O Ports

USB	2 x USB
KB / Mouse	2
Audio	Line in / Line out / MIC in
Parallel	1 x parallel port (SPP / EPP / ECP)
Serial Ports	2 x COMs, COM1 supports +5V or +12V, COM2 for RS232/422/485, supports +5v only
LAN	10/100/1000 Mbps
VGA	N/A
Drive Bay	1 x 2.5" HDD, 1 x IDE CF slot on board
Expansion Slots	PC104+

Display

LCD	10.4" SVGA TFT LCD
Touch Screen	5W Analog resistive (USB interface)

Environment

Operating Temp.	0° ~ 40°C
Storage Temp.	-20° ~ 60°C
Humidity	20% ~ 90%

Ordering Information

OFC-7500	Open Frame with 10.4" LCD, S478 Pentium M CPU board, resistive touchscreen, 110W AC power supply
OFC-7360	Open Frame with 10.4" LCD, VIA Eden 733 MHz CPU board, resistive touchscreen, 110W AC power supply

All of trademarks and brand names are the property of their owners. Trademark "Protech" is the property of Protech Systems Co., Ltd. All information contained in this document is subject to change without any prior notice. This catalog is copyrighted in DEC. 2006