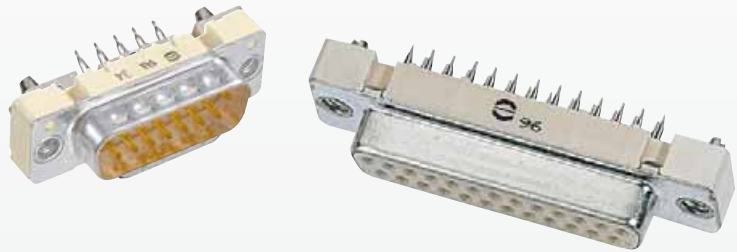


Number of contacts

9-50



Press-in, straight with grounding press-in board locks

Identification	No. of contacts	Part No.	
Performance levels Explanations see page 20.08 Other performance levels on request		Performance level 3	
		Performance level 2	
Male connector Flange height x = 5.7 mm			
metal shell with dimples	9	09 66 164 771 .	09 66 164 671 .
	15	09 66 264 771 .	09 66 264 671 .
	25	09 66 364 771 .	09 66 364 671 .
Please insert digit for flange thread or fitted female screw locks			
M3 ▶	5		
4-40 UNC ▶	6		
fitted screw locks 4-40 UNC ▶	7 ¹⁾		
Female connector Flange height x = 5.7 mm			
metal shell	9	09 66 154 751 .	09 66 154 651 .
	15	09 66 254 751 .	09 66 254 651 .
	25	09 66 354 751 .	09 66 354 651 .
	37	09 66 454 751 .	09 66 454 651 .
Please insert digit for flange thread or fitted female screw locks			
M3 ▶	5		
4-40 UNC ▶	6		
fitted screw locks 4-40 UNC ▶	7 ¹⁾		
Female connector Flange height x = 6 mm			
metal shell	9	09 66 154 751 .	09 66 154 651 .
	15	09 66 254 751 .	09 66 254 651 .
	25	09 66 354 751 .	09 66 354 651 .
	37	09 66 454 751 .	09 66 454 651 .
	50	09 66 554 751 .	09 66 554 651 .
Please insert digit for flange thread or fitted female screw locks			
M3 ▶	1		
4-40 UNC ▶	2		
fitted screw locks 4-40 UNC ▶	3 ¹⁾		

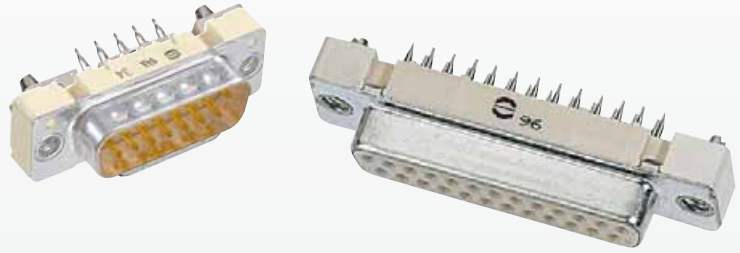
Press-in technology

20
10

¹⁾ Fitted screw locks 4-40 UNC not normally kept in stock for performance level 3
 Connector dimensions see page 20.11. Mating conditions see page 20.08.

Number of contacts

9-50



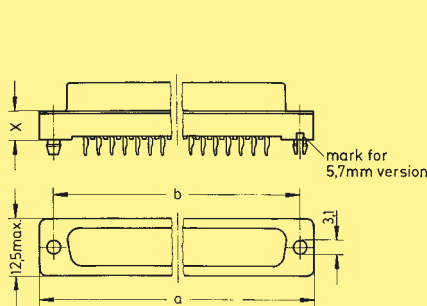
Press-in, straight with grounding press-in board locks

Identification

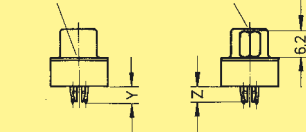
Drawing

Dimensions in mm

Male connector
9 – 25 contacts

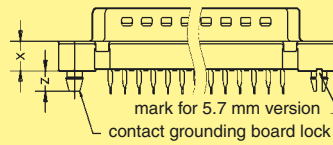


M 3 or 4 - 40 UNC fitted screw locks 4 - 40 UNC

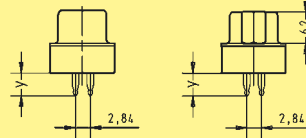


X	Y	Z
6.0 ± 0.2	4.20 ± 0.2	3.5 max.
5.7 ± 0.2	4.35 ± 0.2	3.9 max.

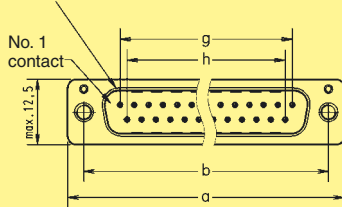
Female connector
9 – 37 contacts



M 3 or 4 - 40 UNC fitted screw locks 4 - 40 UNC

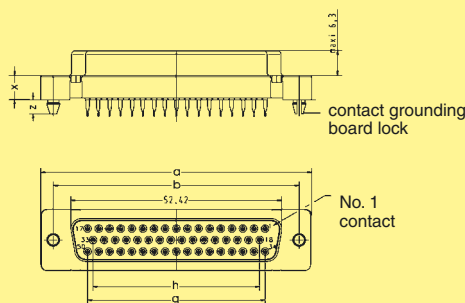


Mating face acc. to: DIN 41 652 · CECC 75 301-802 · IEC 60 807

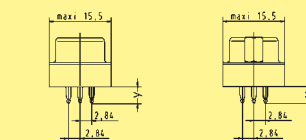


	a	b	g	h
9	31.00	24.90	4 x [2.74] = 10.96	3 x [2.76] = 8.22
15	39.30	33.20	7 x [2.74] = 19.18	6 x [2.76] = 16.44
25	53.10	47.00	12 x [2.76] = 33.12	11 x [2.76] = 30.36
37	69.65	63.55	18 x [2.76] = 49.68	17 x [2.76] = 46.92
50	67.00	61.10	16 x [2.76] = 44.16	15 x [2.76] = 41.40

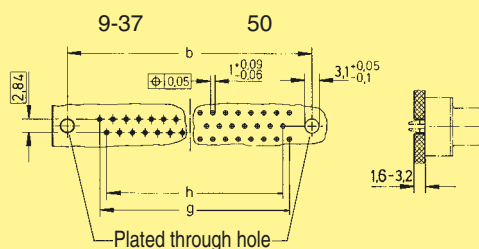
Female connector
50 contacts



M 3 or 4 - 40 UNC fitted screw locks 4 - 40 UNC



Board drillings



Press-in technology