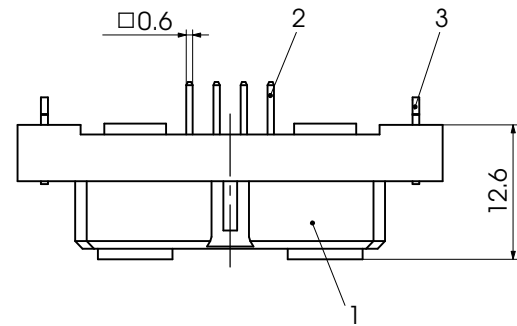
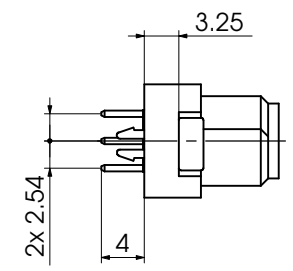
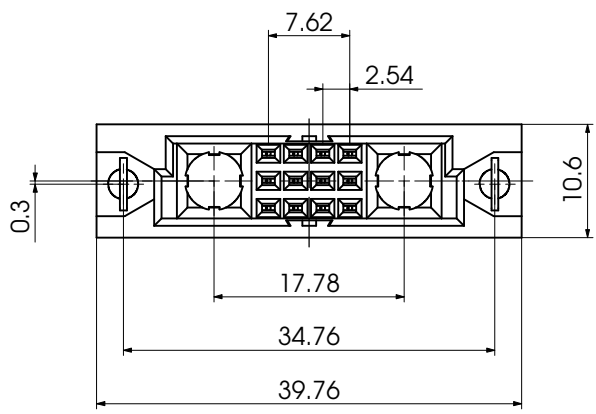
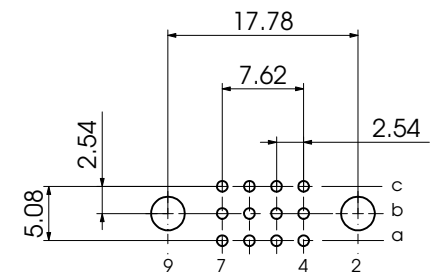


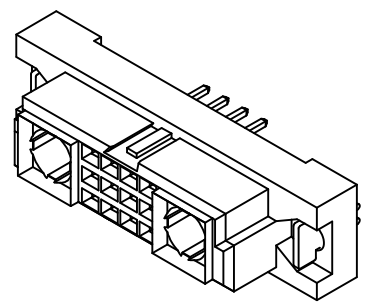
COMMENT: ALL RIGHTS ARE RESERVED BY US FOR THIS DRAWING, WITHOUT OUR PRIOR CONSENT. ANY REPRODUCTION OR TRANSMISSION OF THIS DRAWING IS PROHIBITED. IT IS ALSO MAY NOT BE IMPROPERLY USED BY THE RECEIVER, OR A THIRD PARTY.



Rear View of the Female Connector



③ xx for performance classes 10, 20 or 30  
(contact cycle for 10/20/30 = 500/400/50)



③	2	Snap-in	PCB 1,6mm	
③ ②	12	Signal contact	Cu alloy	500/400/50
	1	Insulator	Polyester, UL94V-0	grey
No.	St.	Part	Type Description/Material	Surface plating/Colour/Class

				Measurement without tolerance acc. to ISO 2768-m	SCALE 2:1	TITLE
				NAME / DATE		Connector according to EN 60603-2
				DRAWN ADenzinger 09-02-2006		
				CHECKED fflöbmann 22-01-2007		
3	22-01-2007	21944				DWG.NO.
2	08-11-2006	21921				2712202xx10
1						REV. 3
REV.	DATE	CH.-NO.	ORIGINAL: DIN A3-DRAWING AS A FILE	REPLACEMENT FOR:	PAGES 1	

# Mouser Electronics

Authorized Distributor

Click to View Pricing, Inventory, Delivery & Lifecycle Information:

[Molex:](#)

[27122021010](#)