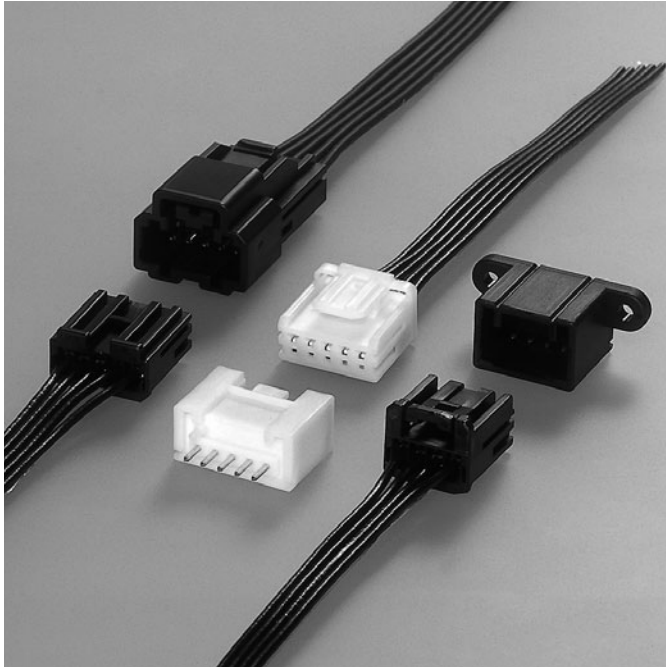
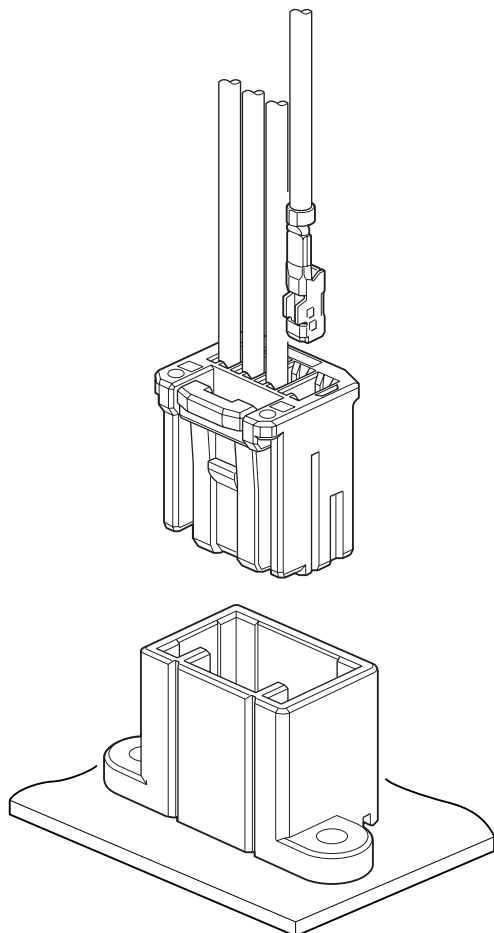


HCM CONNECTOR

Board-to-wire/Wire-to-wire



0.64 unsealed, low profile, miniaturized connectors for automobile applications.
Meets or exceeds the major performance specifications for automotive electrical connector systems.



Features

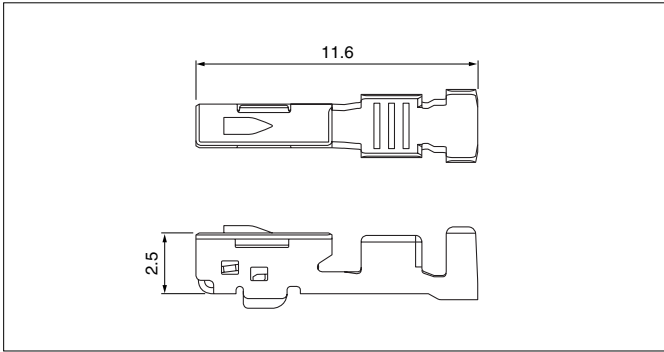
- Miniaturized Connectors, Compliant with the Automotive Performance Specifications
- Boxed Female Terminal with Triple Over-stress Protection Mechanism
- Accept 0.64 or 1.0mm Male Blade
- Optional Connector Position Assurance (CPA) Design
- Terminal Independent Secondary Lock
- Variations
Multiple circuits sizes and circuit board locking mechanisms available to suit your needs.

Specifications

- Current rating: 5A DC
- Voltage rating: 14V DC
- Temperature range: -40°C to +100°C
(including temperature rise in applying electrical current)
- Contact resistance: Initial value/20mΩ max.
After environmental testing/20mΩ max.
- Insulation resistance: 20MΩ min.
- Applicable wire: SAE/ AVSS/ CAVS
0.3mm² to 0.5mm²
: UL Cable
0.21mm²

- * Compliant with ELV/RoHS.
- * Contact JST for details.

Female terminal



| Model No. | Applicable wire range | | Q'ty/reel |
|----------------|------------------------------|----------------------|-----------|
| | Conductor (mm ²) | Insulation O.D. (mm) | |
| SHCM-A03T-P025 | 0.3 to 0.5 | 1.4 to 1.9 | 5,000 |
| SHCM-A04T-P025 | 0.21 | 1.5 | 5,000 |

Material and Finish

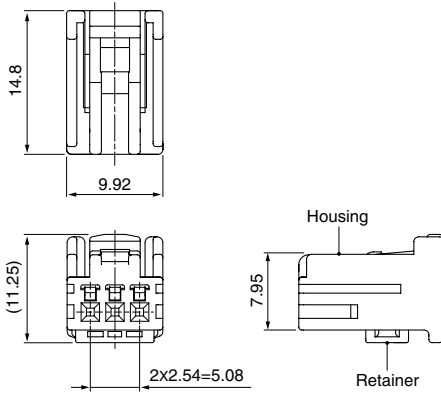
Copper alloy, tin-plated

Female connector

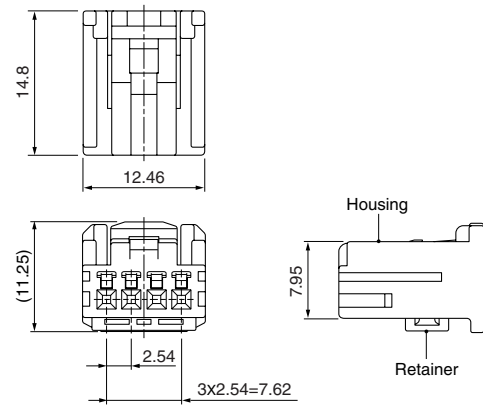
Single row

Inner lock type

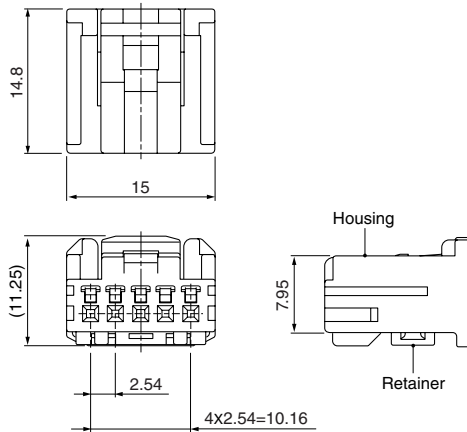
• 3 circuits



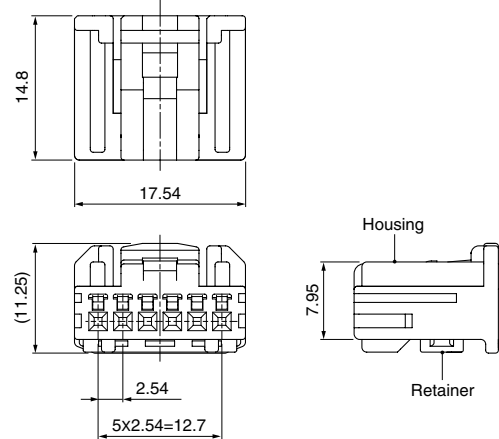
• 4 circuits



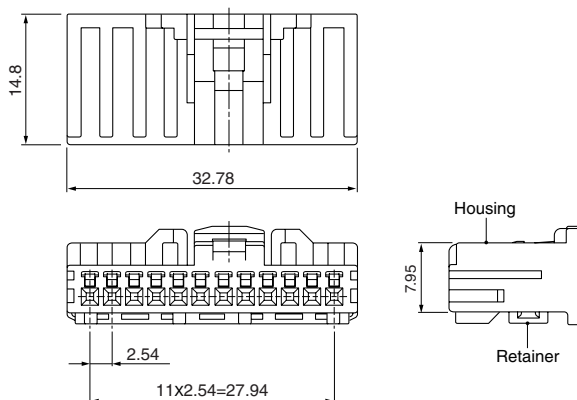
• 5 circuits



• 6 circuits



• 12 circuits

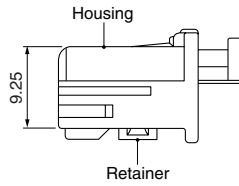
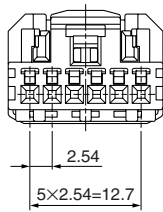
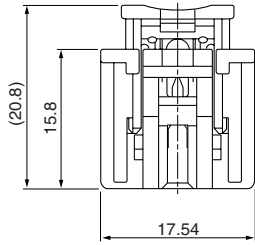


Female connector

Single row

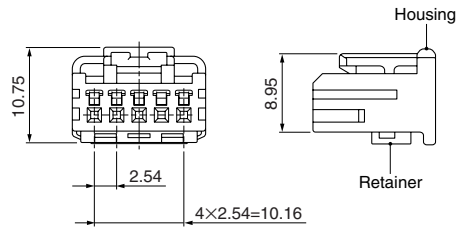
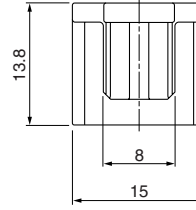
Inner lock type

- 6 circuits (W/CPA type)



Outer lock type

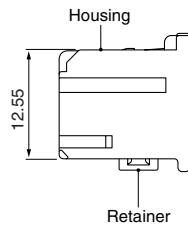
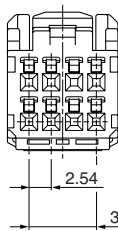
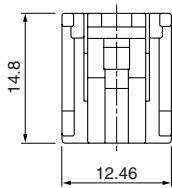
- 5 circuits



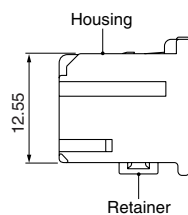
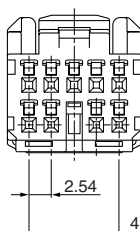
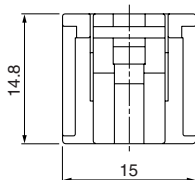
Dual row

Inner lock type

- 8 circuits



- 9 circuits



Single row

| Type | Circuits | Model No. | Q'ty/box | Housing Color |
|--------------------|-------------|-------------|----------|-----------------|
| Inner lock | 3 | HCMPB-03-K | 800 | Black |
| | | HCMPB-03-S | 800 | White |
| | 4 | HCMPB-04-K | 600 | Black |
| | | HCMPB-04-H | 600 | Gray |
| | | HCMPB-04-S | 600 | Natural (White) |
| | 5 | HCMPB-A05-K | 500 | Black |
| | | HCMPB-A05-S | 500 | Natural (White) |
| | 6 | HCMPB-06-K | 400 | Black |
| | | HCMPB-06-S | 400 | Natural (White) |
| | 12 | HCMPB-12-K | 200 | Black |
| *12 | HCMPB-A12-K | 200 | Black | |
| Inner lock (W/CPA) | 6 | HCMPB-C06-K | 300 | Black |
| | | HCMPB-C06-S | 300 | Natural (White) |
| Outer lock | 5 | HCMPB-05-K | 500 | Black |
| | | HCMPB-05-S | 500 | Natural (White) |

Material

Housing: PBT

Retainer: PBT, blue

CPA (Only for 6 circuits with CPA): Glass-filled PBT, red

*Additional keying

Dual row

| Circuits | Model No. | Q'ty/box | Housing Color |
|----------|-------------|----------|-----------------|
| 8 | HCMDPB-08-K | 400 | Black |
| | HCMDPB-08-S | 400 | Natural (White) |
| 9 | HCMDPB-09-K | 400 | Black |

Material

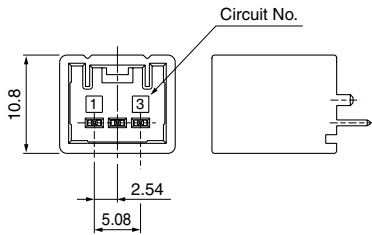
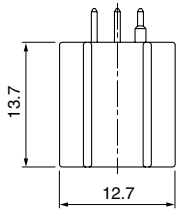
Housing: PBT

Retainer: PBT, blue

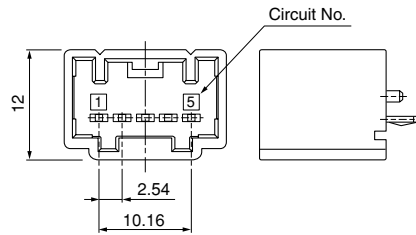
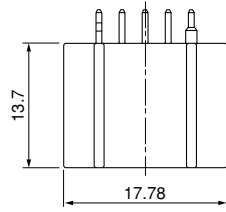
Male connector (Top entry type)

Inner lock type

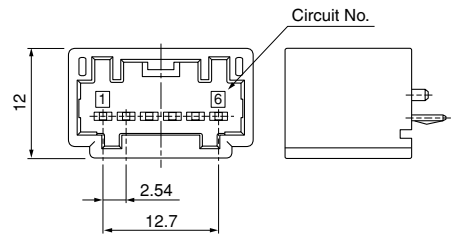
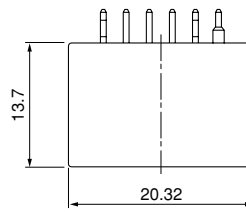
• 3 circuits



• 5 circuits

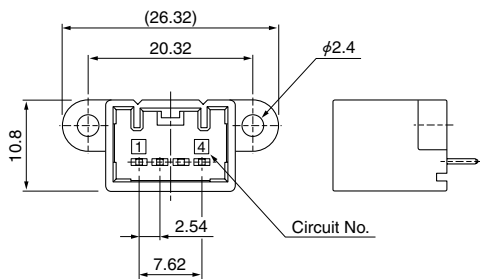
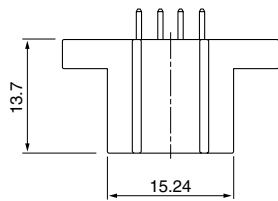


• 6 circuits

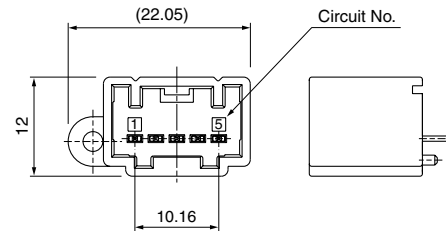
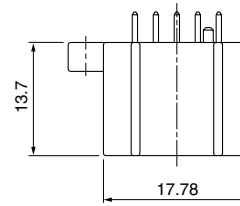


Screw hole

• 4 circuits

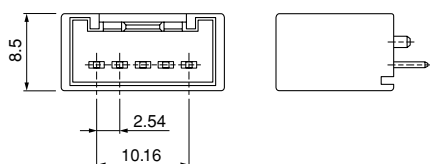
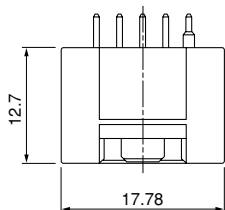


• 5 circuits



Outer lock type

• 5 circuits



| Type | Circuits | Model No. | Q'ty/box | Housing Color |
|-------------------------|----------|----------------|----------|-----------------|
| Inner lock | 3 | B03B-HCMKS | 480 | Black |
| | | B03B-HCMSS | 480 | Natural (White) |
| | 5 | B05B-AHCMKK | 288 | Black |
| | | B05B-AHCMKS | 288 | Natural (White) |
| | 6 | B06B-HCMKK | 240 | Black |
| | | B06B-HCMKS | 240 | Natural (White) |
| Inner lock (Screw hole) | 4 | B04B-HCMKS-R | 240 | Black |
| | | B04B-HCMKS-RA | 240 | Black |
| | | B04B-HCMKS-2R | 240 | Black |
| | 5 | B05B2-AHCMKS-A | 270 | Black |
| Outer lock | 5 | B05B-HCMKS-R | 432 | Black |
| | | B05B-HCMSS-R | 432 | Natural (White) |

Material and Finish

Housing: Glass-filled PBT

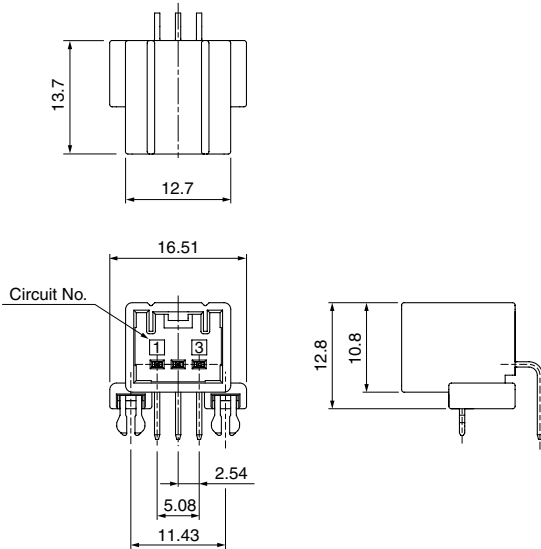
Pin: Brass, tin-plated

HCM CONNECTOR

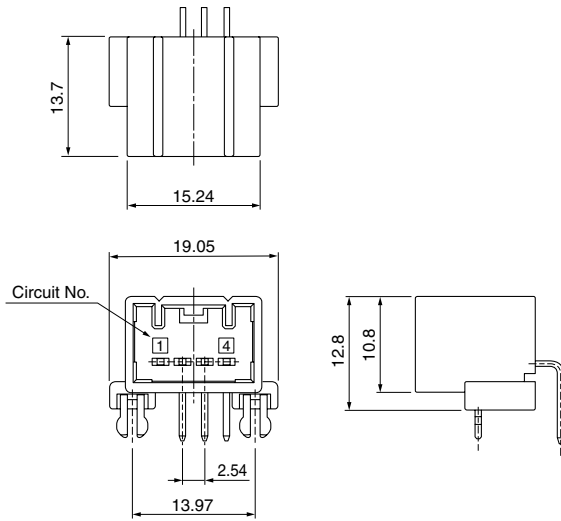
Male connector (Side entry type)

Reinforcement type

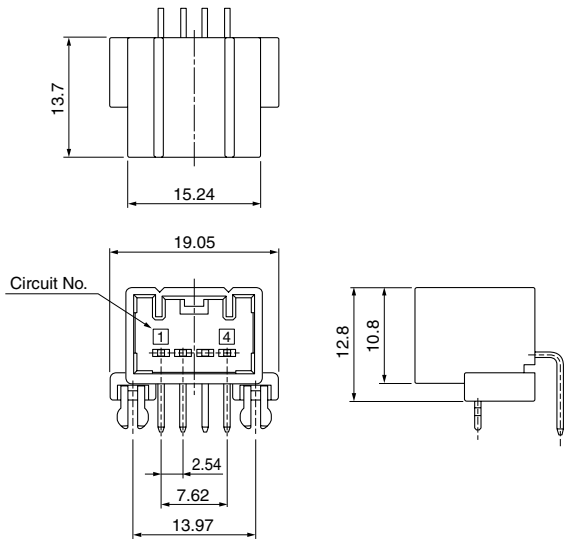
● 3 circuits (S03B1-HCMKS)



● 3 circuits (S04B1A-HCMKS)



● 4 circuits

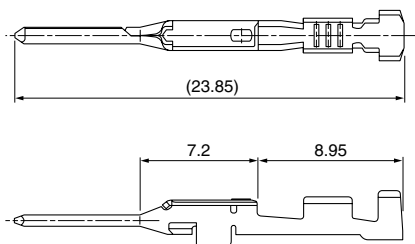


| Circuits | Model No. | Q'ty/box | Housing Color |
|----------|--------------|----------|-----------------|
| 3 | S03B1-HCMKS | 180 | Black |
| | S04B1A-HCMKS | 165 | Black |
| 4 | S04B1-HCMKS | 165 | Black |
| | S04B1-HCMSS | 165 | Natural (White) |

Material and Finish

Housing: Glass-filled PBT
Pin: Brass, tin-plated

Male terminal



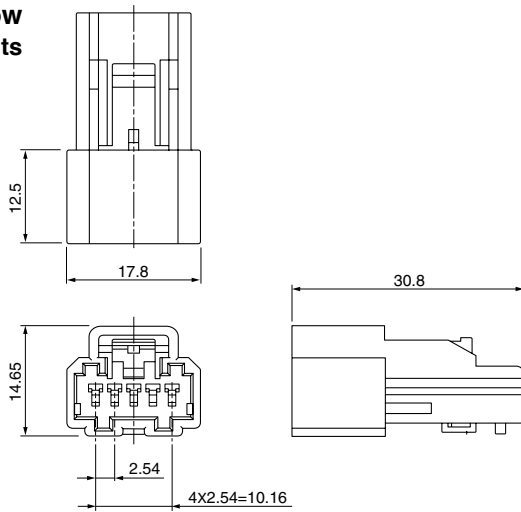
| Model No. | Applicable wire range | | Q'ty/reel |
|----------------|------------------------------|----------------------|-----------|
| | Conductor (mm ²) | Insulation O.D. (mm) | |
| SHCMW-A03T-040 | 0.3 to 0.5 | ≤1.9 | 5,000 |

Material and Finish

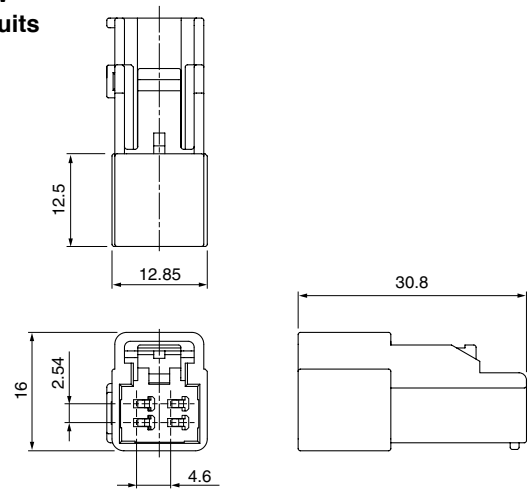
Brass, tin-plated (reflow treatment)

Male connector (Wire-to-wire)

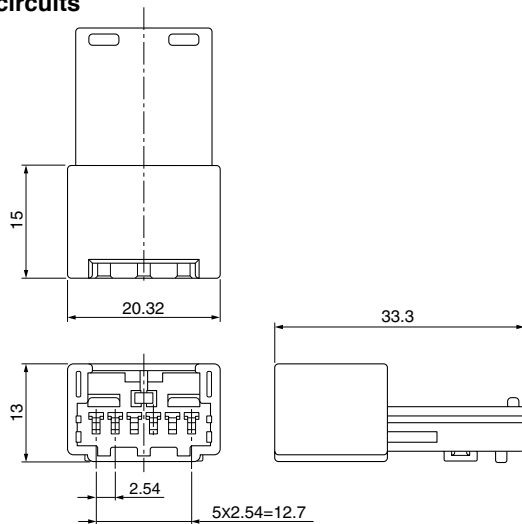
Single row ● 5 circuits



Dual row ● 4 circuits



● 6 circuits



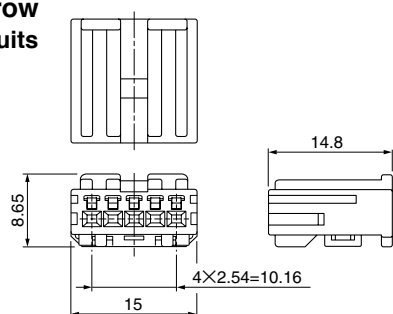
| Type | Circuits | Model No. | Q'ty/box | Housing Color |
|------------|----------|---------------------|----------|-----------------|
| Single row | 5 | HCMWSB-05-K | 200 | Black |
| | 6 | HCMWSB-C06-K | 200 | Black |
| Dual row | 4 | HCMDWSB-04-S | 250 | Natural (White) |

Material

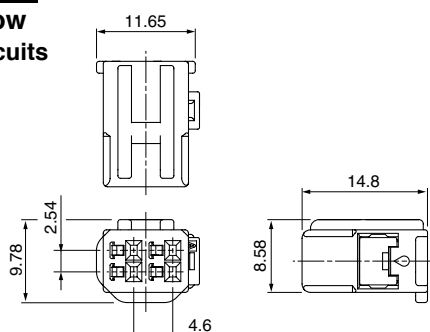
Housing: PBT
Retainer: PBT, blue

Female connector

Single row ● 5 circuits



Dual row ● 4 circuits



| Type | Circuits | Model No. | Q'ty/box | Housing Color |
|------------|----------|---------------------|----------|-----------------|
| Single row | 5 | HCMWPB-05-K | 500 | Black |
| Dual row | 4 | HCMDWPB-04-S | 850 | Natural (White) |
| | | HCMDWPB-04-K | 850 | Black |

Material

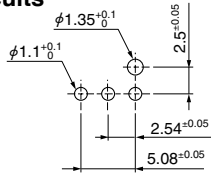
Housing: PBT
Retainer: PBT, blue

HCM CONNECTOR

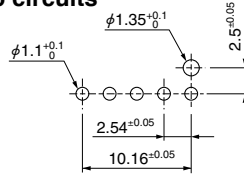
PC board layout

Top entry type

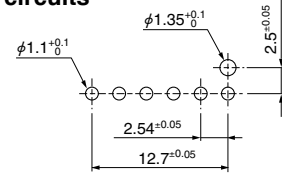
● 3 circuits



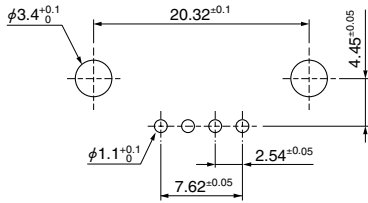
● 5 circuits



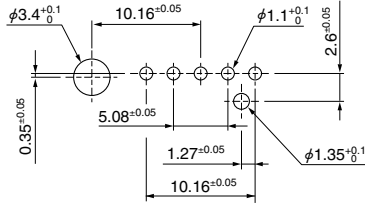
● 6 circuits



● 4 circuits (with screw hole)

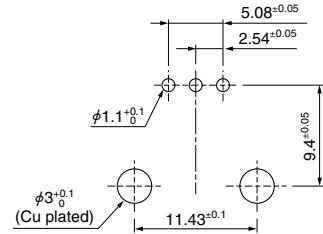


● 5 circuits (with screw hole)

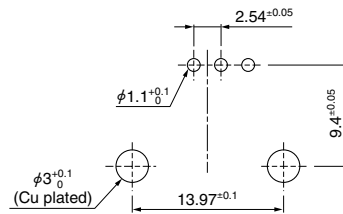


Side entry type (with reinforcement)

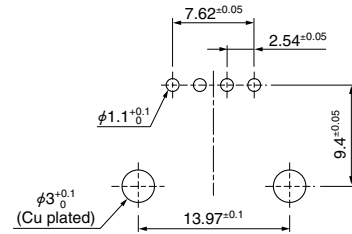
● 3 circuits



● 3 circuits (with 4 circuits housing)



● 4 circuits



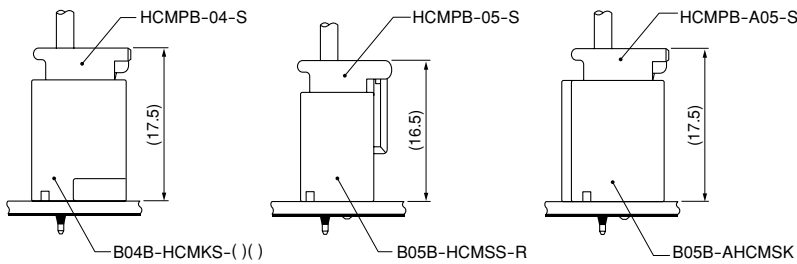
Note: 1. Tolerances are non-cumulative.

2. Hole dimensions differ according to the type of PC board and piercing method.

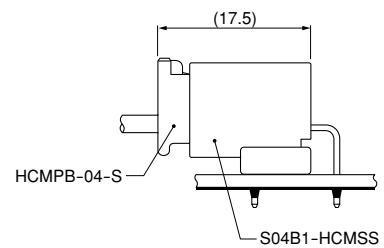
The dimensions above should serve as guideline. Contact JST for details.

Assembly layout

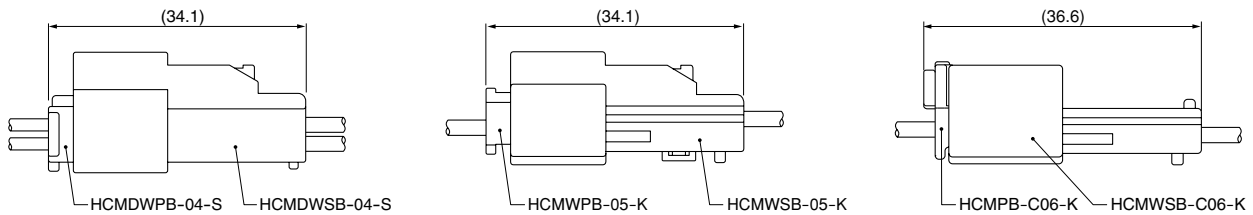
Top entry type



Side entry type



Wire-to-wire type



Crimping machine, Applicator

| Strip terminal | Crimping machine | Crimp applicator MKS-L | |
|----------------|------------------|------------------------|----------------------------|
| | | Dies | Crimp applicator with dies |
| SHCM-A03T-P025 | AP-K2N | MK/SHCM-A03-025 | APLMK SHCM-A03-025 |
| SHCM-A04T-P025 | | MK/SHCM-A04-025 | APLMK SHCM-A04-025 |
| SHCMW-A03T-040 | | MK/SHCMW-A03-040 | APLMK SHCMW-A03-040 |

Note: When crimping operation is conducted using an applicator and die set other than the above, JST cannot guarantee the performance of the terminal.

Mouser Electronics

Authorized Distributor

Click to View Pricing, Inventory, Delivery & Lifecycle Information:

JST:

[HCMPB-05-S](#) [HCMPB-A05-K](#) [HCMPB-A05-S](#) [HCMPB-C06-K](#) [HCMDPB-08-K](#) [HCMDPB-08-S](#) [HCMPB-04-K](#)
[HCMPB-05-K](#) [HCMPB-06-K](#) [HCMPB-C06-S](#)