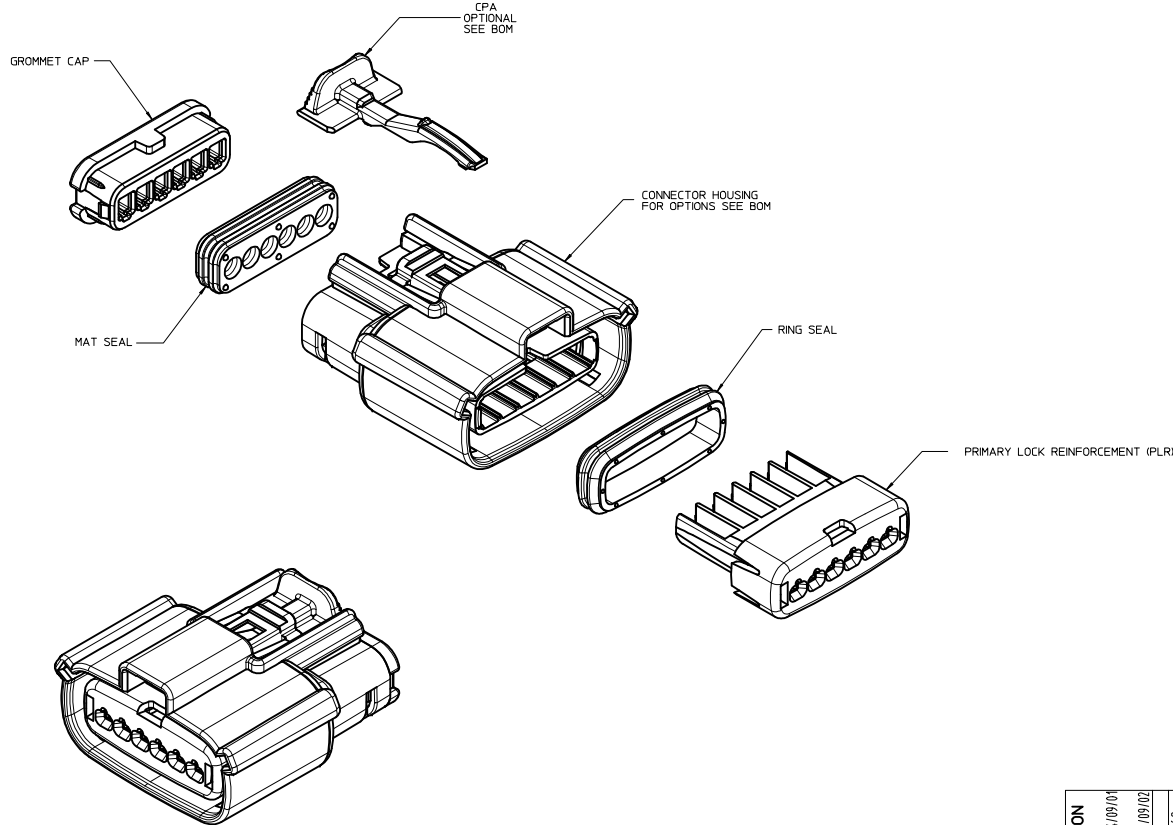


TABLE OF CONTENTS	
SHEET NO.	SHEET DESCRIPTION
1	NOTES
2	KEY CONFIGURATIONS
3	RECEPTACLE SEALED ASSEMBLY
4	BOM



NOTES: VALID UNLESS OTHERWISE SPECIFIED

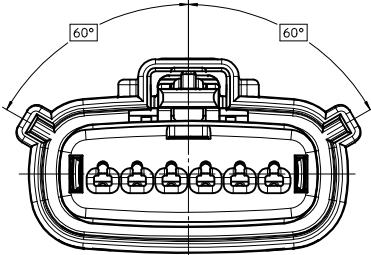
1. GENERAL:
 - a. APPLICATION SPECIFICATION SEE: AS-33472-100
 -CONTAINS: PRODUCT INTRODUCTION, PRODUCT SUMMARY, CONNECTOR ASSEMBLY, PACKAGING INFORMATION, CONNECTOR MATING, SERVICE INSTRUCTIONS, ELECTRICAL CONTINUITY CHECKING, CRIMPING, AND TROUBLESHOOTING.
 -DESIGNED TO MATE WITH DEVICE CONNECTION AS SPECIFIED IN DRAWING EWCAP 150-S-006-1-Z03, AVAILABLE AT <http://ewcap.uscorteams.org/>
 -DESIGNED TO MATE WITH BLADE SEALED ASSEMBLY AS SPECIFIED IN DRAWING SD-33481-061
 -FOR 15mm RECEPTACLE TERMINALS TO BE USED WITH THIS ASSEMBLY. SEE MOLEX DRAWINGS SD-33012-002.
 -SYSTEM TO BE USED WITH WIRE WITH DIAMETER RANGE OF 1.2 mm TO 2.69 mm.
 -ASSEMBLY SHIPPED WITH PLR AND CPA IN PRE-LOCK POSITION (SEE SECTION 2-2 PRE-LOCK).
 -IN THE EVENT THAT THE PLR IS FOUND IN THE SEATED (FINAL LOCK) POSITION, REFER TO MOLEX SPECIFICATION PS-34646-001, AVAILABLE AT www.molex.com <http://www.molex.com>.
 -ASSEMBLY CONFORMS TO SAE/J593-2 REV.4 WITH THE FOLLOWING EXCEPTIONS: ENGAGEMENT FORCE TO MOVE CPA FROM PRE-LOCK TO FINAL LOCK POSITION WHEN UNMATED: 40N MIN.
 DISENGAGEMENT FORCE TO MOVE CPA FROM FINAL LOCK TO PRE-LOCK POSITION: 3N MIN. 40N MAX
 TERMINAL INSERTION FORCE FOR WIRE DIAMETER ABOVE 2.5mm NOT EXCEEDING 2.69mm SHALL NOT EXCEED 40 NEWTONS.
 - b. PRODUCT SPECIFICATION SEE: PS-33471-000
 CONTAINS: PRODUCT INTRODUCTION, PRODUCT SUMMARY, AND PRODUCT VALIDATION.
 - c. PACKAGING SPECIFICATION PER MOLEX DRAWING: PK-31300-903
 - d. PARTS MUST BE IN COMPLIANCE TO MOLEX CHEMICAL SUBSTANCES FOR PRODUCTS AND PACKAGING SPECIFICATION: ES-40000-5016
 - e. DATA MUST BE SUBMITTED UNDER THE MOLEX PART NUMBER TO IMDS (COMPANY ID=19255)
2. DESIGN - MATERIALS:
 - a. CONNECTOR HOUSING, GROMMET CAP, PLR: SPS/NYLON BLEND 20% GLASS FILLED
 - b. CPA: PBT 20% GLASS FILLED
 - c. MAT SEAL AND RING SEAL: INHERENTLY LUBRICATED SILICONE
3. DESIGN - GEOMETRY:
 - a. THIS IS A 100% CAD GENERATED PART. THE CAD MATHEMATICAL DATA IS THE MASTER FOR THIS PART. FOR DIMENSIONAL OR ANY INFORMATION NOT SHOWN ON THIS DRAWING, ANALYZE THE CAD MODEL.
 - b. GEOMETRIC DIMENSIONS AND TOLERANCES PER ASME Y14.5M - 1994.
 - c. EDGES AND UNDIMENSIONED DETAILS PER ISO13715
 - d. CORNERS SHOWN AS SHARP TO BE R 0.2 MAX.
 - e. LETTERING SHALL BE 0.15 MAX RAISED IN 0.25 MAX RECESS PAD. THIS INCLUDES RECYCLING CODE, CAVITY ID, VENDOR IDENTIFICATION, AND CUSTOMER MATERIAL NUMBER.
 - f. VISUAL DEFECTS SHALL MEET COSMETIC STANDARD PS-45499-002 (Class B)
 - g. LASER MARKING: TBD

INSPECTION NUMBER LOG
 LAST NUMBER USED: 5
 ADDED:
 REMOVED:

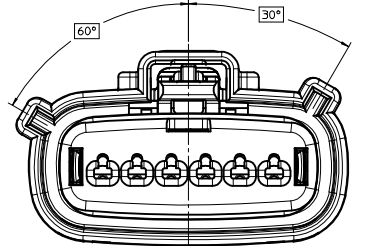
S7	ADDED NEW P/N 33471-0674
S6	UPDATED VIEWS
S5	UPDATED VIEWS
S4	ADDED NEW P/N 33471-0673
S3	CHANGE PART NUMBER STATUS
	ADDED NEW P/N 33471-0659 33471-0660
	33471-0661 33471-0662
	33471-0663 33471-0664
	33471-0665 33471-0666
	33471-0667 33471-0668
S2	ADDED NEW P/N 33471-0658
S1	UPDATED CONFIGURATIONS SHEET 3
S	REDRAWN
REV	DESCRIPTION

ENTER DESCRIPTION DEC NO: UAU2015-0349 DRAWN BY: S7 CHKD: APPR: IKOSHY 2014/09/02	QUALITY SYMBOLS ∇=0 ∇=0 ∇=0	GENERAL TOLERANCES (UNLESS SPECIFIED) mm INCH 4 PLACES ± --- ± --- 3 PLACES ± 0.10 ± --- 2 PLACES ± 0.3 ± --- 1 PLACE ± ± 0 PLACE ± ±	DIMENSION STYLE MM ONLY DRAWN BY DATE DGRIF1 ITHS 06-03-03 CHECKED BY DATE DGRIF1 ITHS 06-03-03 APPROVED BY DATE DGRIF1 ITHS 06-03-03	SCALE 3:1	DESIGN UNITS METRIC	THIRD ANGLE PROJECTION ☉	TITLE MX150 1X6 RECEPTACLE SEALED ASSEMBLY MAT SEAL molex	MATERIAL NO. SEE BOM	DOCUMENT NO. SD-33471-061	SHEET NO. 1 OF 4
	DRAFT WHERE APPLICABLE MUST REMAIN WITHIN DIMENSIONS									
	THIS DRAWING CONTAINS INFORMATION THAT IS PROPRIETARY TO MOLEX INCORPORATED AND SHOULD NOT BE USED WITHOUT WRITTEN PERMISSION									
	SIZE D									

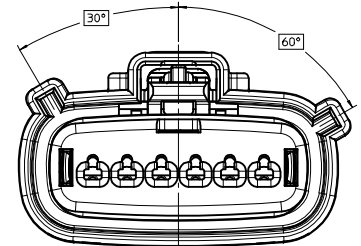
KEY CONFIGURATIONS



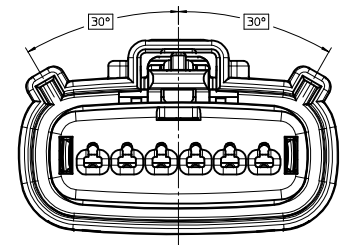
KEY A



KEY B



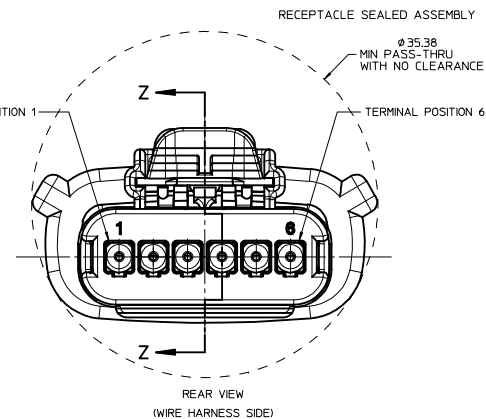
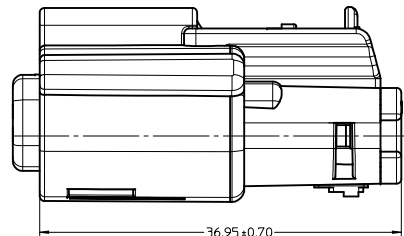
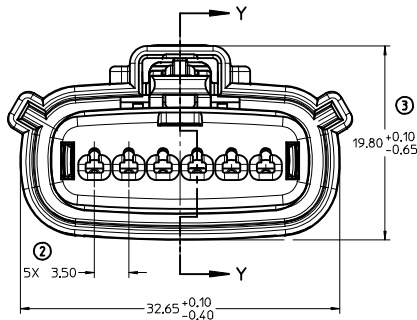
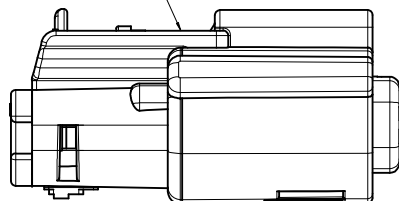
KEY C



KEY D

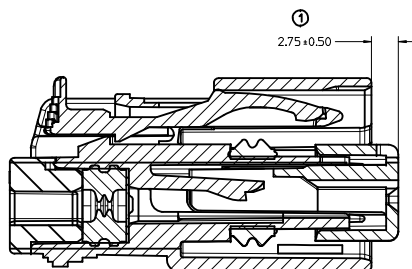
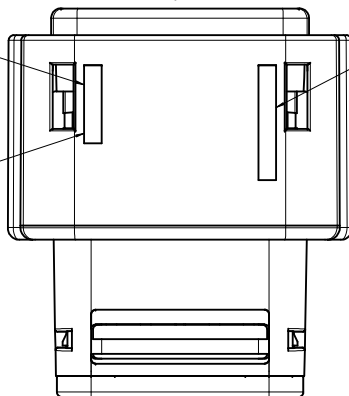
ENTER DESCRIPTION IEC NO. UAU2015-0349 DRAWN BY: S7 CHKD: WJ APPR: WKSHY 2014/09/01 2014/09/02	QUALITY SYMBOLS ▽=0 ▽=0 ▽=0	GENERAL TOLERANCES (UNLESS SPECIFIED) <table border="1"> <thead> <tr> <th></th> <th>mm</th> <th>INCH</th> </tr> </thead> <tbody> <tr> <td>4 PLACES</td> <td>± .05</td> <td>± .002</td> </tr> <tr> <td>3 PLACES</td> <td>± .10</td> <td>± .004</td> </tr> <tr> <td>2 PLACES</td> <td>± 0.10</td> <td>± .004</td> </tr> <tr> <td>1 PLACE</td> <td>± 0.3</td> <td>± .012</td> </tr> <tr> <td>0 PLACE</td> <td>±</td> <td>±</td> </tr> </tbody> </table> ANGULAR ± 3 ° DRAFT WHERE APPLICABLE MUST REMAIN WITHIN DIMENSIONS		mm	INCH	4 PLACES	± .05	± .002	3 PLACES	± .10	± .004	2 PLACES	± 0.10	± .004	1 PLACE	± 0.3	± .012	0 PLACE	±	±	DIMENSION STYLE MM ONLY	SCALE 4:1	DESIGN UNITS METRIC	THIRD ANGLE PROJECTION
		mm	INCH																					
	4 PLACES	± .05	± .002																					
	3 PLACES	± .10	± .004																					
2 PLACES	± 0.10	± .004																						
1 PLACE	± 0.3	± .012																						
0 PLACE	±	±																						
DRAWN BY: DGRIFITHS DATE: 06-03-03 CHECKED BY: DGRIFITHS DATE: 06-03-03 APPROVED BY: DGRIFITHS DATE: 06-03-03	TITLE MX150 1X6 RECEPTACLE SEALED ASSEMBLY MAT SEAL	MATERIAL NO. SEE BOM	DOCUMENT NO. SD-33471-061	SHEET NO. 2 OF 4																				
THIS DRAWING CONTAINS INFORMATION THAT IS PROPRIETARY TO MOLEX INCORPORATED AND SHOULD NOT BE USED WITHOUT WRITTEN PERMISSION																								
molex																								

LASER MARKING THIS SURFACE
SEE NOTE 3g.



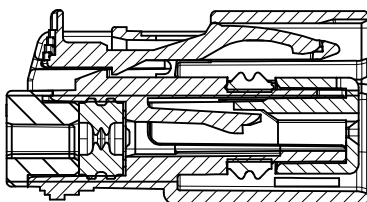
MOLD CAVITY CODE RECYCLE CODE

LOCATION CODE



PRIMARY LOCK REINFORCEMENT (PLR) SHOWN
IN PRE-STAGED POSITION

SECTION Z-Z



PRIMARY LOCK REINFORCEMENT (PLR) SHOWN
IN FINAL-LOCK POSITION

SECTION Y-Y

ENTER DESCRIPTION IEC NO: UAU2015-0349 DRAWN BY: S7 CHKD: APPR: WOSHY 2014/09/01 2014/09/02	QUALITY SYMBOLS	GENERAL TOLERANCES (UNLESS SPECIFIED)	DIMENSION STYLE	SCALE	DESIGN UNITS	THIRD ANGLE PROJECTION	
	∇=0 ∇=0 ∇=0	mm INCH 4 PLACES ± --- ± --- 3 PLACES ± --- ± --- 2 PLACES ± 0.10 ± --- 1 PLACE ± 0.3 ± --- 0 PLACE ± ±	MM ONLY	4:1	METRIC	DRAWN BY: DGRIFITHS DATE: 06-03-03 CHECKED BY: DATE DGRIFITHS 06-03-03 APPROVED BY: DATE DGRIFITHS 06-03-03	TITLE: MX150 1X6 RECEPTACLE SEALED ASSEMBLY MAT SEAL molex DOCUMENT NO. SD-33471-061
	ANGULAR ± 3 ° DRAFT WHERE APPLICABLE MUST REMAIN WITHIN DIMENSIONS	MATERIAL NO. SEE BOM SIZE D	SHEET NO. 3 OF 4				
	THIS DRAWING CONTAINS INFORMATION THAT IS PROPRIETARY TO MOLEX INCORPORATED AND SHOULD NOT BE USED WITHOUT WRITTEN PERMISSION						

ASSEMBLY PART NUMBER	COLOR	KEYING OPTION	CAVITY TYPE & STATUS (X = PLUGGED)						CPA	STATUS	COMMENTS
			1	2	3	4	5	6			
33471-0601	BLACK	A							-	SALEABLE	
33471-0602	LT. GRAY	B							-		
33471-0603	BROWN	C							-	NOT RECOMMENDED	SEE P/N 33471-0659
33471-0604	GREEN	D							-	NOT RECOMMENDED	SEE P/N 33471-0660
33471-0605	YELLOW	A							-	SALEABLE	
33471-0606	BLACK	A							YES	SALEABLE	
33471-0607	LT. GRAY	B							YES		
33471-0608	BROWN	C							YES	NOT RECOMMENDED	SEE P/N 33471-0661
33471-0609	GREEN	D							YES	NOT RECOMMENDED	SEE P/N 33471-0662
33471-0610	YELLOW	A							YES	SALEABLE	
33471-0611	BLACK	A						X	-	SALEABLE	
33471-0612	LT. GRAY	B						X	-		
33471-0613	BROWN	C						X	-	NOT RECOMMENDED	SEE P/N 33471-0663
33471-0614	GREEN	D						X	-	NOT RECOMMENDED	SEE P/N 33471-0664
33471-0615	YELLOW	A						X	-	SALEABLE	
33471-0616	BLACK	A						X	YES	SALEABLE	
33471-0617	LT. GRAY	B						X	YES		
33471-0618	BROWN	C						X	YES	NOT RECOMMENDED	SEE P/N 33471-0665
33471-0619	GREEN	D						X	YES	NOT RECOMMENDED	SEE P/N 33471-0666
33471-0620	YELLOW	A						X	YES	SALEABLE	
33471-0621	BLACK	A	X					X	-	SALEABLE	
33471-0622	LT. GRAY	B	X					X	-		
33471-0623	BROWN	C	X					X	-	NOT RECOMMENDED	SEE P/N 33471-0667
33471-0624	GREEN	D	X					X	-	NOT RECOMMENDED	SEE P/N 33471-0668
33471-0625	YELLOW	A	X					X	-	SALEABLE	
33471-0626	BLACK	A	X					X	YES	SALEABLE	
33471-0627	LT. GRAY	B	X					X	YES		
33471-0628	BROWN	C	X					X	YES	NOT RECOMMENDED	SEE P/N 33471-0669
33471-0629	GREEN	D	X					X	YES	NOT RECOMMENDED	SEE P/N 33471-0670
33471-0630	YELLOW	A	X					X	YES	SALEABLE	
33471-0631	BLACK	A	X	X	X	X	X	X	-	SALEABLE	
33471-0632	LT. GRAY	B	X	X	X	X	X	X	-		
33471-0633	BROWN	C	X	X	X	X	X	X	-	NOT RECOMMENDED	SEE P/N 33471-0671
33471-0634	GREEN	D	X	X	X	X	X	X	-	NOT RECOMMENDED	SEE P/N 33471-0672
33471-0635	YELLOW	A	X	X	X	X	X	X	-	SALEABLE	
33471-0650	BLACK	A						X	X	-	SALEABLE
33471-0651	BLACK	A	X	X	X	X	X	X	YES	SALEABLE	
33471-0652	BLACK	A						X	YES	SALEABLE	
33471-0653	BLACK	A			X				YES	SALEABLE	
33471-0654	BLACK	A			X				-	SALEABLE	
33471-0655	BLACK	A			X	X	X		-	SALEABLE	
33471-0656	BLACK	A						X	-	SALEABLE	
33471-0657	BLACK	A						X	-	SALEABLE	
33471-0658	BLACK	A	X	X	X	X			-	SALEABLE	
33471-0659	DK.GRAY	C							-	SALEABLE	
33471-0660	ST.GRAY	D							-	SALEABLE	
33471-0661	DK.GRAY	C							YES	SALEABLE	
33471-0662	ST.GRAY	D							YES	SALEABLE	
33471-0663	DK.GRAY	C						X	-	SALEABLE	
33471-0664	ST.GRAY	D						X	-	SALEABLE	
33471-0665	DK.GRAY	C						X	YES	SALEABLE	
33471-0666	ST.GRAY	D						X	YES	SALEABLE	
33471-0667	DK.GRAY	C	X					X	-	SALEABLE	
33471-0668	ST.GRAY	D	X					X	-	SALEABLE	
33471-0669	DK.GRAY	C	X					X	YES	SALEABLE	
33471-0670	ST.GRAY	D	X					X	YES	SALEABLE	
33471-0671	DK.GRAY	C	X	X	X	X	X	X	-	SALEABLE	
33471-0672	ST.GRAY	D	X	X	X	X	X	X	-	SALEABLE	
33471-0673	BLACK	A			X			X	-	SALEABLE	
33471-0674	BLACK	A			X			X	-	SALEABLE	

ENTER DESCRIPTION IEC NO. UAU2015-0349 DRAWN BY: S7 CHKD: APPR: WOSHY 2014/09/01 2014/09/02	QUALITY SYMBOLS ∇=0 ∇=0 ∇=0		GENERAL TOLERANCES (UNLESS SPECIFIED) mm INCH 4 PLACES ± .000 ± .000 3 PLACES ± .010 ± .000 2 PLACES ± 0.10 ± .000 1 PLACE ± 0.3 ± .000 0 PLACE ± ±		DIMENSION STYLE MM ONLY		SCALE METRIC	DESIGN UNITS METRIC	THIRD ANGLE PROJECTION	
	DRAWN BY: DATE DGR IFF ITHS 06-03-03		CHECKED BY: DATE DGR IFF ITHS 06-03-03		APPROVED BY: DATE DGR IFF ITHS 06-03-03		TITLE MX150 1X6 RECEPTACLE SEALED ASSEMBLY MAT SEAL			
	MATERIAL NO. SEE BOM		DOCUMENT NO. SD-33471-061		SHEET NO. 4 OF 4			THIS DRAWING CONTAINS INFORMATION THAT IS PROPRIETARY TO MOLEX INCORPORATED AND SHOULD NOT BE USED WITHOUT WRITTEN PERMISSION		
	ANGLAR ± 3 ° DRAFT WHERE APPLICABLE MUST REMAIN WITHIN DIMENSIONS		SIZE D		MOLEX			MOLEX		