

# ONE PHASE POWER DISTRIBUTION BLOCKS

- Quick mounting and wiring
- IP20 Finger Safe
- DIN Rail or Panel Mount
- Blocks fit with other DIN Rail mountable modular devices (height 95mm, depth 44.5mm)
- Accessories increase the number of outputs with only one input (applies **only** to 38041 and 38032)
- No caps to open or remove
- Material
  - Housing: Polyamide
  - Metal Body: Brass

## 38049



**SCCR: 100kA**

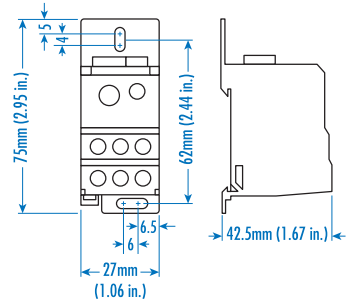
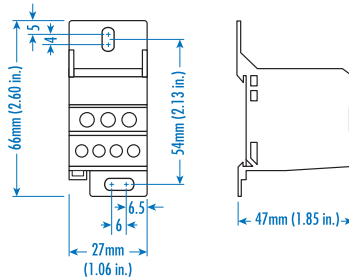
## 38041



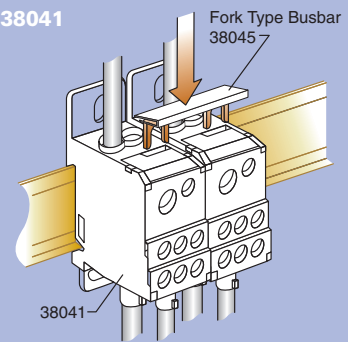
**SCCR: 100kA**

Part Number:	<b>38049</b> (UL File E98082)		<b>38041</b> (UL File E98082)	
White	<b>DB16</b> (UL File E220514)		<b>DB35</b> (UL File E220514)	
Gray				
Approvals				
Current Rating	80A	80A	115A	125A
Voltage Rating	600V AC	690V AC	600V AC	690V AC
No. of Inputs	1	1	1	1
Wire Range	8-4 AWG	6-16mm <sup>2</sup>	8-2 AWG	10-35mm <sup>2</sup>
Torque	13.5lb.-in.	1.5Nm	31lb.-in.	40lb.-in. for DB35
Screw Type	Pozi Drive 2		Pozi Drive 2	
No. of Outputs	6	6	6	6
Wire Range	(2x)8-4 AWG	(2x)6-16mm <sup>2</sup>	14-6 AWG	2.5-16mm <sup>2</sup>
Torque	13.5lb.-in.	1.5Nm	17.5lb.-in.	2Nm
Wire Range	(4x)14-10 AWG	(4x)2.5-6mm <sup>2</sup>		
Torque	7.2lb.-in.	0.8Nm		
Screw Type	Pozi Drive 2		Pozi Drive 2	
Optional Marking Tag	MT2*		MT2*	
	*(for DB16 and DB35)			

Dimensions:



### 38041



Accessories: Fork Type Busbar  
 Part No: **38045** to jump 2 Blocks  
**38046** to jump 8 Blocks  
 can be cut

**38076**



**SCCR: 100kA**

**38032**














**SCCR: 100kA**

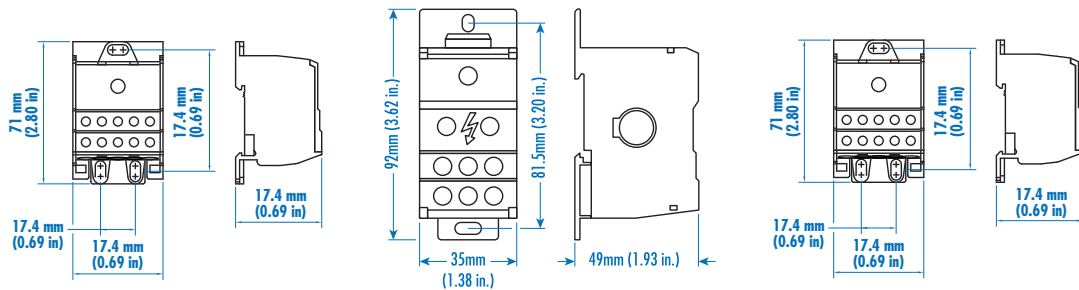
**38074**



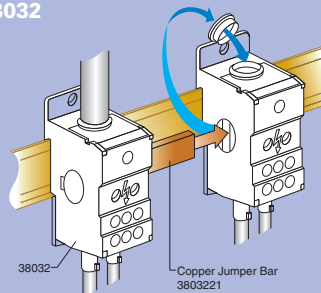
**SCCR: 100kA**

Part Number:	<b>38076</b>		<b>38032</b>		<b>38074</b>	
Approvals	  UL File E98082		   UL File E98082	 	  UL File E98082	
Current Rating	115A	125A	160A	160A	175A	175A
Voltage Rating	600V AC	690V AC	600V AC	690V AC	600V AC	690V AC
No. of Inputs	1	1	1	1	1	1
Wire Range	8-2 AWG	10-35mm <sup>2</sup>	8-2/0AWG	10-70mm <sup>2</sup>	6-2/0AWG	16-70mm <sup>2</sup>
Torque	53lb.-in.	6Nm	35.5lb.-in.	4Nm	53lb.-in.	6Nm
Screw Type	Hex 4		Hex 5		Hex 5	
No. of Outputs	10	10	6	6	10	10
Wire Range	14-4 AWG	2.5-16mm <sup>2</sup>	14-6 AWG	2.5-16mm <sup>2</sup>	14-4 AWG	2.5-16mm <sup>2</sup>
Torque	26.5lb.-in.	3Nm	17.5lb.-in.	2Nm	26.5lb.-in.	3Nm
Screw Type	Hex 3		Hex 3		Hex 3	

Dimensions:



**38032**



Accessories: Copper Jumper Bar (6x15 mm)

Part No: **3803221** for 2 Blocks  
**3803231** for 3 Blocks  
**3803241** for 4 Blocks  
 can be cut

# ONE PHASE POWER DISTRIBUTION BLOCKS

- Quick mounting and wiring
- IP20 Finger Safe
- DIN Rail or Panel Mount
- Blocks fit with other DIN Rail mountable modular devices (height 95mm, depth 44.5mm)
- Accessories increase the number of outputs with only one input.
- No caps to open or remove
- Material
  - Housing: Polyamide
  - Metal Body: Brass

38020





38019

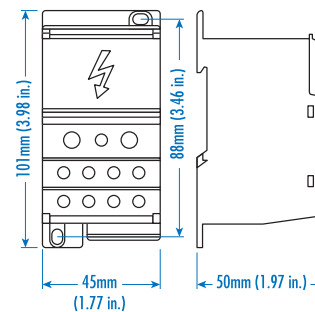
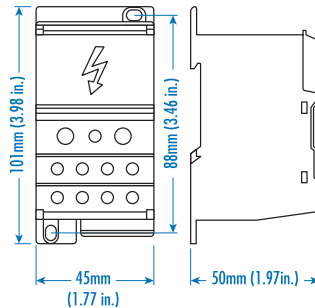


SCCR: 100kA

SCCR: 100kA

Part Number:	<b>38020</b>		<b>38019</b>	
Approvals	 UL File E98082 C US IEC		 UL File E98082 C US IEC	
Current Rating	230A	250A	310A	400A
Voltage Rating	600V AC 690V AC		600V AC 690V AC	
No. of Inputs	1	1	1	1
Wire Range	2-4/0AWG	35-120mm <sup>2</sup>	3/0-350kcmil	95-185mm <sup>2</sup>
Torque	170lb.-in.	19Nm	230lb.-in.	25Nm
Screw Type	Hex 6		Hex 8	
No. of Outputs	11	11	11	11
Wire Range	(2x) 14-2AWG	(2x) 2.5-35mm <sup>2</sup>	(2x) 14-2AWG	(2x) 2.5-35mm <sup>2</sup>
Torque	31lb.-in.	3.5Nm	31lb.-in.	3.5Nm
Wire Range	(5x) 14-6AWG	(5x) 2.5-16mm <sup>2</sup>	(5x) 14-6AWG	(5x) 2.5-16mm <sup>2</sup>
Torque	17.5lb.-in.	2Nm	17.5lb.-in.	2Nm
Wire Range	(4x) 14-8AWG	(4x) 2.5-10mm <sup>2</sup>	(4x) 14-8AWG	(4x) 2.5-10mm <sup>2</sup>
Torque	17.5lb.-in.	2Nm	17.5lb.-in.	2Nm
Screw Type	standard screwdriver		standard screwdriver	

Dimensions:



# Mouser Electronics

Authorized Distributor

Click to View Pricing, Inventory, Delivery & Lifecycle Information:

[Altech:](#)

[3803241](#) [3803221](#) [3803231](#)