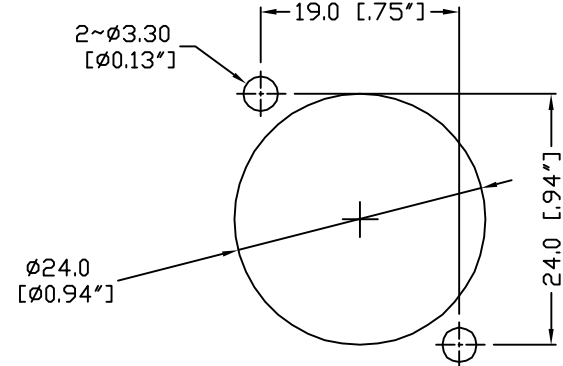


ISO VIEW



PANEL CUT OUT

UNLESS OTHERWISE SPECIFIED TOLERANCE TO BE	
LINEAR	ANGULAR
X ± 0.50	X° ± 1°
X.X ± 0.20	X'X' ± 30'
X.XX ± 0.10	X'X'X' ± 15'
BREAK ALL SHARP EDGES AND REMOVE ALL BURRS	
DO NOT SCALE	
DIMENSIONS IN MILLIMETRES	

THIS DOCUMENT IS THE PROPERTY OF AMPHENOL AUSTRALIA PTY. LTD.. NO PART THEREOF MAY BE REPRODUCED AND USED WITHOUT THE PRIOR WRITTEN CONSENT OF THE OWNER			
CAD FILE: 00801102	DRN: D.v.E.	DATE: 27-09-95	TITLE:
MATL: REFER TO COMPONENT	CKD: T.N	DATE: 25-10-01	<b>AC3FDPIL IDC FEMALE LATCHLESS PANEL MOUNT ASSEMBLY</b>
FINISH: REFER TO COMPONENT	APP'D: P.M	DATE: 29-10-01	<b>Amphenol</b>
THIRD ANGLE PROJECTION	SCALE: 2:1 UOS	PART No: 128463-0000	Amphenol Australia Pty.Ltd, 2 Fireways Blvd, Keysborough, Vic.3173

2	UPDATE TO AMPHENOL TITLE BLOCK & LOGO ADD ISO VIEW	M.N.H	11-04-01	7780
0	FIRST ISSUE	D.v.E.	27-09-95	----
REV.	CHANGE DETAILS	BY	DATE	CHG/No
DRAWING NO. 128463-0000		SHEET 1 of 1		

# Mouser Electronics

Authorized Distributor

Click to View Pricing, Inventory, Delivery & Lifecycle Information:

[Amphenol:](#)

[AC3-FDPIL](#)