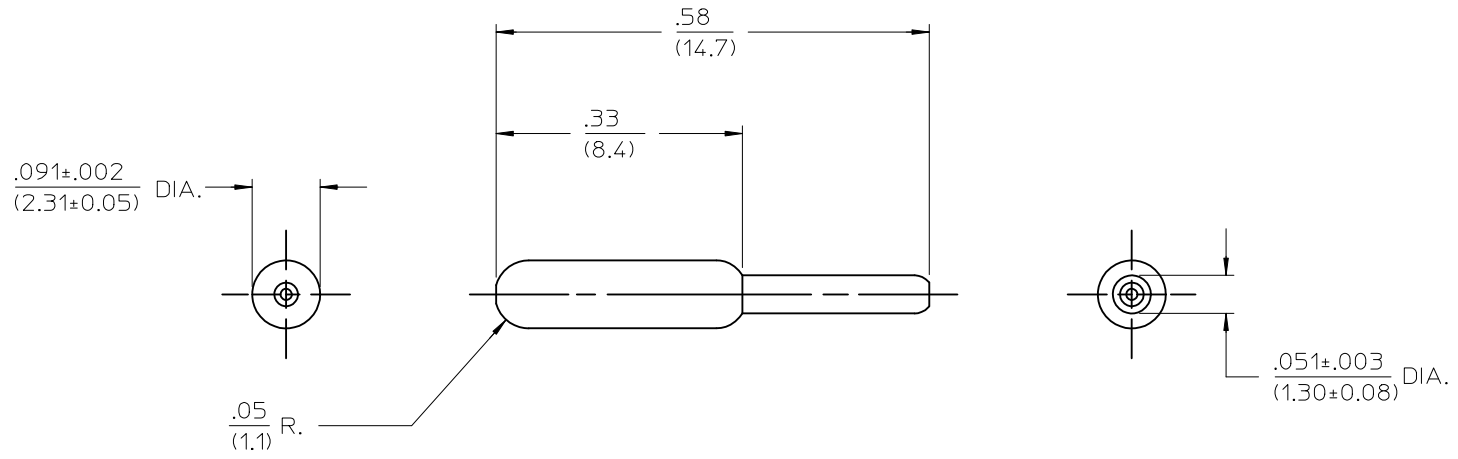


10 9 8 7 6 5 4 3 2 1



REDWIRE DRAIN HOLE EC NO: UCP2004-2212 DRW:RHOLTS 2004/06/17 CHKD:FSMITH APPR:FSMITH	DESCRIPTION 2011/09/14	QUALITY SYMBOLS	GENERAL TOLERANCES (UNLESS SPECIFIED)		DIMENSION STYLE IN/MM		SCALE 6:1	DESIGN UNITS INCH	THIRD ANGLE PROJECTION
		$\nabla = 0$ $\nabla = 0$ $\nabla = 0$	mm INCH 4 PLACES ± --- ± --- 3 PLACES ± --- ± .010 2 PLACES ± 0.25 ± .014 1 PLACE ± 0.36 ± ---	DRAWN BY GWC	DATE 1992/01/03	TITLE TERMINAL, PIN & SOCKET P.C. TAIL, FOR .093 SERIES HEADERS			
		ANGULAR ± 1/2°		CHECKED BY RW	DATE 1992/01/03	MOLEX INCORPORATED			
		DRAFT WHERE APPLICABLE MUST REMAIN WITHIN DIMENSIONS		APPROVED BY FSMITH	DATE 2011/09/14	MATERIAL NO. SEE CHART	DOCUMENT NO. SD-1840-*	SHEET NO. 1 OF 2	

9 8 7 6 5 4 3 2 1

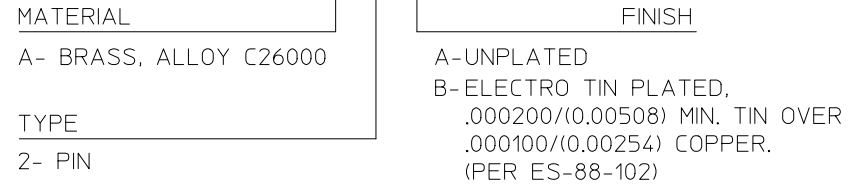
PART NO.	ENG. NO.	MATERIAL	TYPE	FINISH
16-06-0052	1840-A2A	A	2	A
16-06-0002	1840-A2B	A	2	B

NOTES:

1. MATERIAL: SEE LEGEND
2. FINISH: SEE LEGEND
3. PRODUCT SPECIFICATION: N/A
4. PACKAGING SPECIFICATION: N/A
5. THESE TERMINALS ARE USED FOR BOTH THE 1840 AND 3099 ASSEMBLIES.

LEGEND

1840- A 2 *



SEE SHEET ONE EC NO: UCP2004-2212 DRW:RHOLTS 2004/06/17 CHKD:FSMITH APPR:FSMITH 2011/09/14	QUALITY SYMBOLS	GENERAL TOLERANCES (UNLESS SPECIFIED)		DIMENSION STYLE IN/MM		SCALE 1:1	DESIGN UNITS INCH	THIRD ANGLE PROJECTION	
	$\nabla=0$	mm	INCH	DRAWN BY	DATE	TITLE TERMINAL, PIN & SOCKET P.C. TAIL, FOR .093 SERIES HEADERS			
	$\nabla=0$	4 PLACES ± ---	± ---	GWC	1992/01/03				
	$\nabla=0$	3 PLACES ± ---	± .010	CHECKED BY	DATE	MATERIAL NO. SEE CHART			
$\nabla=0$	2 PLACES ± 0.25	± .014	RW	1992/01/03					
	1 PLACE ± 0.36	± ---	APPROVED BY	DATE	DOCUMENT NO. SD-1840-*				
	ANGULAR ± 1/2°		FSMITH	2011/09/14					
	DRAFT WHERE APPLICABLE MUST REMAIN WITHIN DIMENSIONS			MATERIAL NO. SEE CHART		SHEET NO. 2 OF 2			
	THIS DRAWING CONTAINS INFORMATION THAT IS PROPRIETARY TO MOLEX INCORPORATED AND SHOULD NOT BE USED WITHOUT WRITTEN PERMISSION								

PART NO.	ENG. NO.	MATERIAL	TYPE	FINISH
16-06-0052	1840-A2A	A	2	A
16-06-0002	1840-A2B	A	2	B

LEGEND


1840- A 2 *

MATERIAL
A- BRASS, ALLOY C26000

TYPE
2- PIN

FINISH
A- UNPLATED
B- ELECTRO TIN PLATED,
.000200/(0.00508) MIN. TIN OVER
.000100/(0.00254) COPPER.
(PER ES-88-102)

- NOTES:
- THESE TERMINALS ARE USED FOR BOTH THE 1840 AND 3099 ASSEMBLIES.
 -  A DRAIN HOLE, OVAL IN APPEARANCE, OPPOSITE THE SEAM SIDE, IS ALLOWED.

				DIMENSIONS SHOWN (METRIC) INCH		▽ = 0 ▼ = 0		REVISE ONLY ON CAD SYSTEM	
				UNLESS OTHERWISE SPECIFIED TOLERANCES: ANGULAR ± 1/2°		TITLE			
				INCH METRIC		TERMINAL, PIN			
				3 PLACE ± --- ---		P.C. TAIL, FOR .093			
				2 PLACE ± --- ± ---		SERIES HEADERS			
				1 PLACE --- ± ---		DRAFT WHERE APPLICABLE MUST REMAIN WITHIN DIMENSIONS		 MOLEX INCORPORATED SHEET NO. DATE LISLE, ILL. 60532 U.S.A. 2 12/16/91	
				DRWG. BY <i>CWC</i> CHK'D. BY RW		PART NO. SEE CHART		DRWG. NO. SD-1840-*	
				APP'D. BY RS SCALE N: A		FILE NAME SD1840X2 DGN		THIS DRAWING CONTAINS INFORMATION THAT IS PROPRIETARY TO MOLEX INC. AND SHOULD NOT BE USED WITHOUT WRITTEN PERMISSION.	
LTR.		REVISIONS		LTR.		REVISIONS		DIV. SIZE CP B	

Mouser Electronics

Authorized Distributor

Click to View Pricing, Inventory, Delivery & Lifecycle Information:

[Molex:](#)

[09-18-5069](#) [09-18-5051](#) [09-18-5094](#) [09-18-5121](#)