

max. 270 m<sup>3</sup>/h

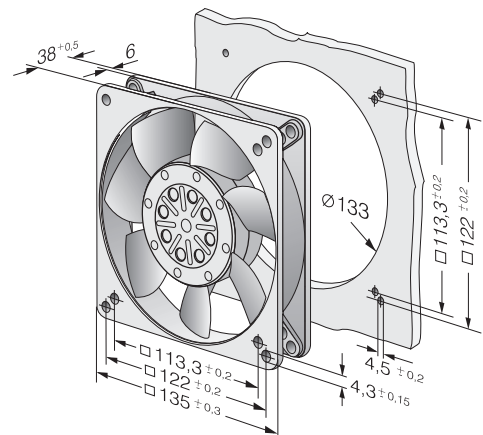
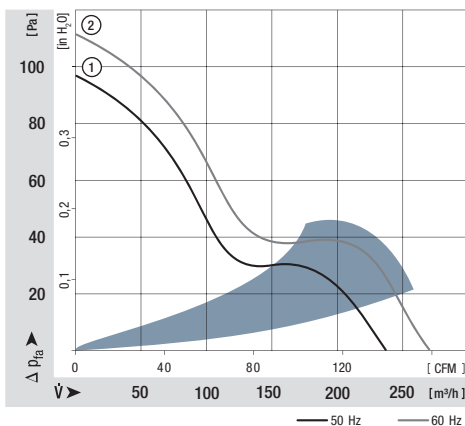
# AC axial fans

Series 5600 135 x 135 x 38 mm



- AC fans with external rotor shaded-pole motor.
- Protected against overloading by thermal cut-out.
- Metal fan housing and impeller.
- Air exhaust over struts. Direction of rotation counter-clockwise, seen on rotor.
- Electrical connection via 2 flat plugs 2.8 x 0.5 mm.
- Fan housing with grounding lug and screw M4 x 8 (TORX).
- Mass: 800 g.
- Please note our new ACmaxx series. With identical mounting dimensions and voltages, this series achieves higher energy efficiency.

Nominal data	Air flow		Nominal voltage	Frequency	Sound pressure level	Sound power level	Sinter sleeve bearings Ball bearings	Power input	Nominal speed	Temperature range	Service life L <sub>10</sub>		Curve
	m <sup>3</sup> /h	CFM									V	Hz	
5656 S	235	138,3	<b>230</b>	<b>50</b>	46	5,9	■	30,0	2 700	-35...+70	45 000 / 20 000		1
5606 S	270	158,9	<b>115</b>	<b>60</b>	50	6,2	■	26,0	3 100	-35...+80	47 500 / 20 000		2



# Mouser Electronics

Authorized Distributor

Click to View Pricing, Inventory, Delivery & Lifecycle Information:

[ebm-papst:](#)

[5606S](#)