

SPECIFICATIONS

ISA Connector

Mechanical

Contact Retention Force: 1.80kgf min.
Mating Force: 340gf max. per Contact Pair
Unmating Force: 28gf min. per Contact Pair
Durability: 500 Cycles

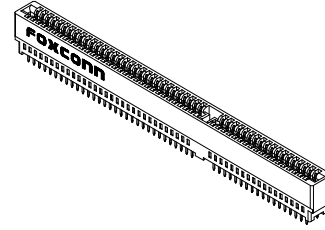
ES Series
Vertical Type
2.54mm [.100"] Pitch
98 Pos.

Electrical

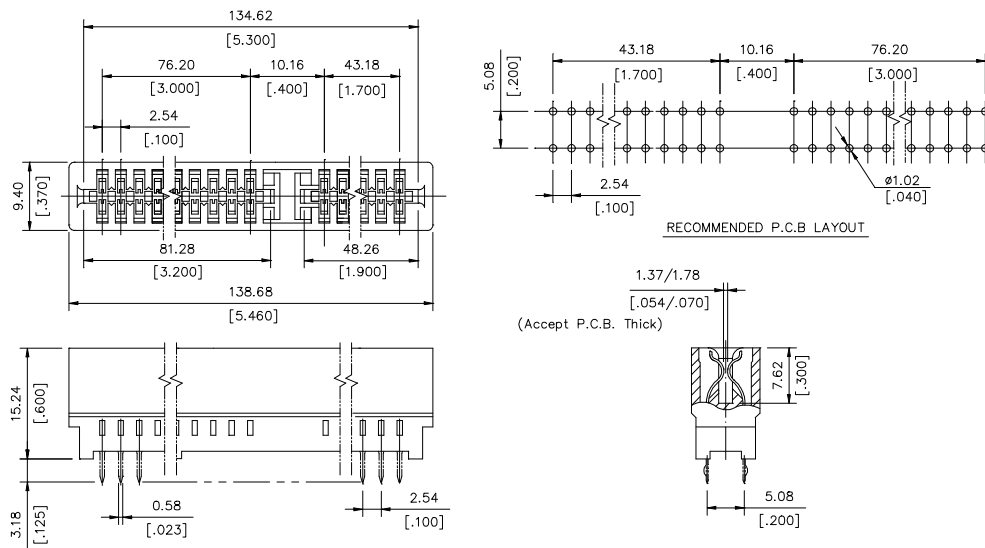
Current Rating: 3A max.
Current Voltage: 250V
Contact Resistance: 15mW max. initial
Dielectric Withstanding Voltage: 1000V
Insulation Resistance: 5000MW min.

Physical

Housing: Thermoplastic, UL 94V-0 rated, in Black Color
Contact: Copper alloy
Plating: See "ORDERING INFORMATION"
Operating Temperature: -55 to +85



DRAWING



ORDERING INFORMATION

PRODUCT NO.: **ES 0 4 9 0 ***

Series Prefix
 2.54 [.100] Pitch
 Edge Card Conn.

Termination Type
 0=Straight

No. of Pos.
 49=98 Pos.

Contact Area Plating
 1=Gold Flash
 2=20u" Gold
 3=30u" Gold
 6=10u" Gold
 7=15u" Gold

Tail Length Type
 0=3.18 [.125]

ES0490*-K0(*)	Without Kink
ES0490*(*)	5-6,51-54,93-94
P/N	Kink Pos.

All specification & dimensions are subject to change, please call your nearest Foxconn sales representative for update information.