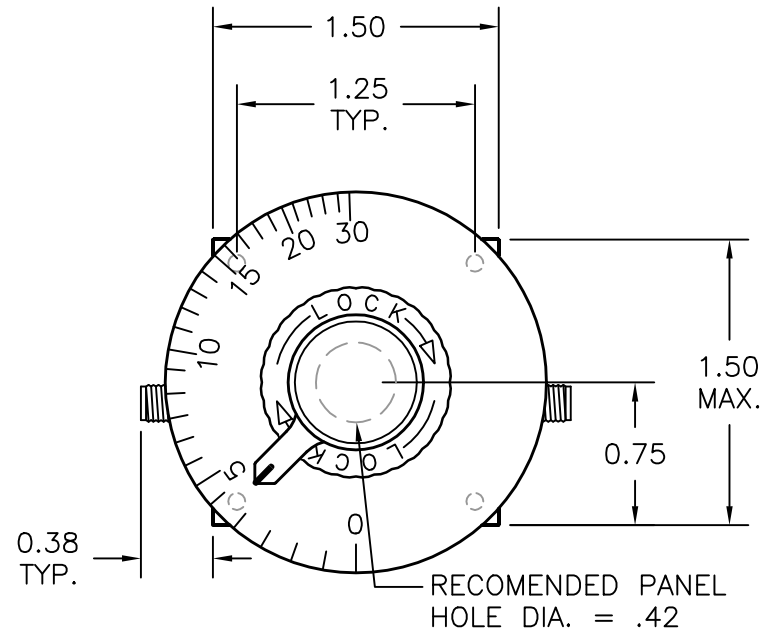
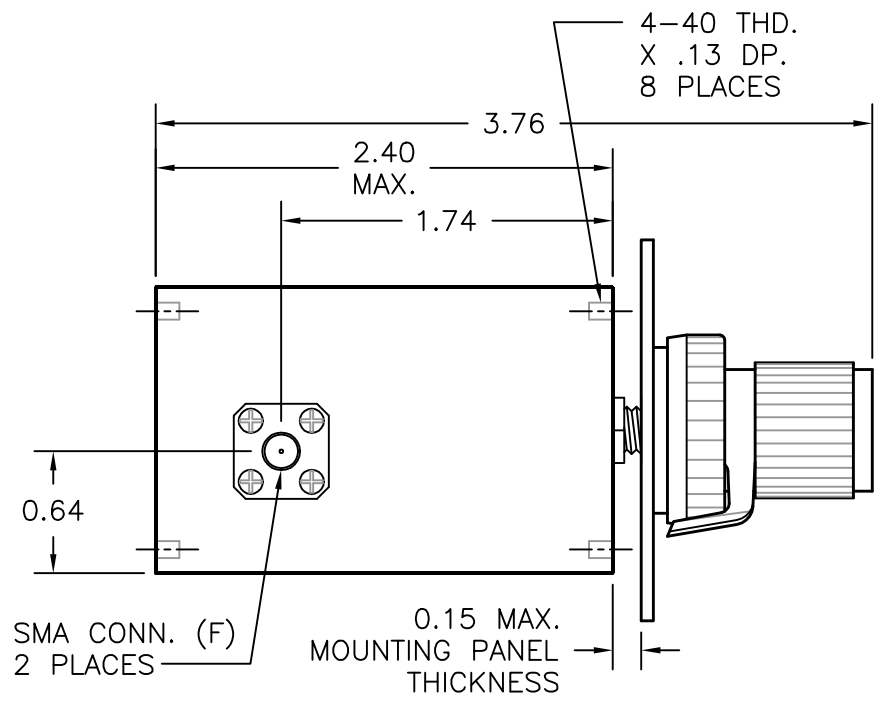

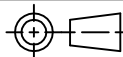


REV. A

DATE 7/5/01

INITIAL RELEASE



MATERIAL	TREATMENT	DRAWN	R. LYNCH	DATE	7/5/01		
FINISH	ATM STD. GRAY	MOD NO.	AF05-30/XX	CHECKED	DATE		
AF05-30/XX VARIABLE ATTENUATOR W/ CALIBRATION DIAL				APPROVED	DATE		
				ADVANCED TECHNICAL MATERIALS, INC. 49 RIDER AVE., PATCHOGUE N.Y. 11772 TEL: (631) 289-0386 FAX: (631) 289-0358 <a href="http://www.atmmicrowave.com">http://www.atmmicrowave.com</a>		UNLESS OTHERWISE NOTED DIMENSIONS ARE IN INCHES TOLERANCES ARE:	FRACTIONS ±1/64
 PROPRIETARY NOTICE: THE INFORMATION IN THIS DRAWING IS PROPRIETARY AND SHALL NOT BE USED OR DISCLOSED WITHOUT THE PRIOR WRITTEN CONSENT OF ATM, INC.		 SCALE 1 : 1	DWG. NO. 4411W	REV. A			