

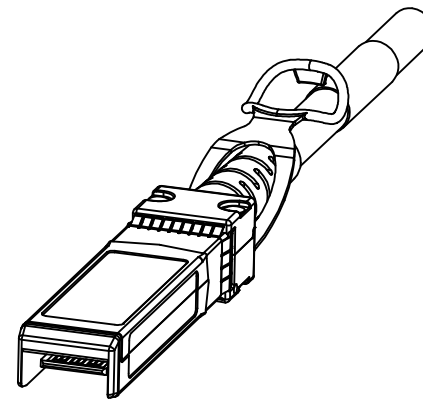
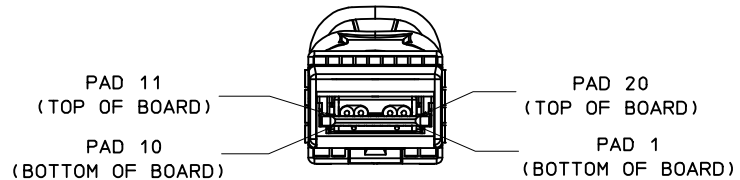
NOTES:

1. MATERIALS  
 BACKSHELLS - NICKEL PLATED ZINC  
 DE-LATCH - PLASTIC  
 PCB - HALOGEN FREE, UL94 V-0  
 RIVETS - STAINLESS STEEL
2. IMPEDANCE - 100 OHMS DIFFERENTIAL, PASSIVE
3. PULL TO RELEASE, PLUNGER STYLE LATCH
4. EACH ASSEMBLY HAS A SERIAL ID
5. RoHS COMPLIANT, NO EXEMPTIONS.

UPDATED P/N TABLE IEC NO: CPG2016-1793 DRAWN: WALLACE01 2015/10/27 CHKD: APPR: CHRISCHY 2015/10/28 REY:	QUALITY SYMBOLS	GENERAL TOLERANCES (UNLESS SPECIFIED)	DIMENSION STYLE	SCALE	DESIGN UNITS	THIRD ANGLE PROJECTION
	▽=0	mm INCH	MM ONLY	2.5:1	METRIC	
	▽=0	4 PLACES ± ---	DRAWN BY	TITLE		
	▽=0	3 PLACES ± ---	DATE	ZSFP+ TO ZSFP+ 28G PASSIVE CABLE ASSEMBLY		
	2 PLACES ± 0.13	CHECKED BY	DATE			
	1 PLACE ± 0.25	DATE	APPROVED BY			
	0 PLACE ±	DATE	DATE			
	ANGULAR ± 2 °		MATERIAL NO.			DOCUMENT NO.
	DRAFT WHERE APPLICABLE MUST REMAIN WITHIN DIMENSIONS		SEE P/N TABLE			SD-111145-0001
			THIS DRAWING CONTAINS INFORMATION THAT IS PROPRIETARY TO MOLEX INCORPORATED AND SHOULD NOT BE USED WITHOUT WRITTEN PERMISSION			SHEET NO. 1 OF 3

WIRING DIAGRAM					
P1 END			P2 END		
PAD	SIGNAL		PAD	SIGNAL	
12	RD-	<----	19	TD-	
13	RD+	<----	18	TD+	
18	TD+	---->	13	RD+	
19	TD-	---->	12	RD-	
02	Tx_Fault	NC	NC	02	Tx_Fault
03	Tx_Disable	NC	NC	03	Tx_Disable
04	SDA	■	■	04	SDA
05	SCL	■	■	05	SCL
06	Mod_ABS	NC	NC	06	Mod_ABS
07	RS0	NC	NC	07	RS0
08	Rx_LOS	NC	NC	08	Rx_LOS
09	RS1	NC	NC	09	RS1
15	VccR	NC	NC	15	VccR
16	VccT	NC	NC	16	VccT

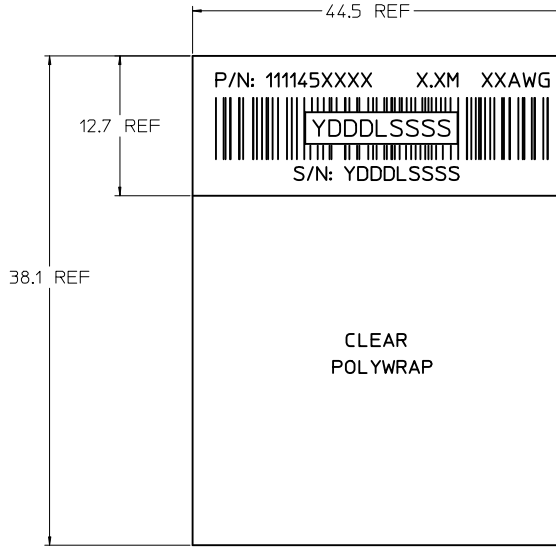
LEGEND:  
 ----> = THRU LINES  
 NC = NOT CONNECTED  
 ■ = CONNECTION TO A DEVICE ON THE PCB



<b>UPDATED P/N TABLE</b> IEC NO: CPG2016-1793 DRAWN: WALLACE01 2015/10/27 CHKD: APPR: CHIRSCHY 2015/10/28 REV DESCRIPTION	QUALITY SYMBOLS	GENERAL TOLERANCES (UNLESS SPECIFIED)	DIMENSION STYLE	SCALE	DESIGN UNITS	THIRD ANGLE PROJECTION	
	▽=0	4 PLACES ± mm ± INCH	MM ONLY	4:1	METRIC	☉	
	▽=0	3 PLACES ± 0.13 ± 0.005					
	▽=0	2 PLACES ± 0.25 ± 0.010					
		ANGULAR ± 2 °					
		DRAFT WHERE APPLICABLE MUST REMAIN WITHIN DIMENSIONS	SEE P/N TABLE				
			MATERIAL NO.	DOCUMENT NO.		SHEET NO.	
				SD-111145-0001		2 OF 3	
			THIS DRAWING CONTAINS INFORMATION THAT IS PROPRIETARY TO MOLEX INCORPORATED AND SHOULD NOT BE USED WITHOUT WRITTEN PERMISSION				

CABLE ID LABEL

PART NUMBER	LENGTH	TOL.	AWG
1111451051	0.5M	±0.05M	30
1111451101	1.0M	±0.05M	30
1111451201	2.0M	±0.05M	30
1111451251	2.5M	±0.05M	30
1111451301	3.0M	±0.05M	30
1111453201	2.0M	±0.05M	26
1111453301	3.0M	±0.05M	26
1111453401	4.0M	±0.05M	26
1111453501	5.0M	±0.08M	26

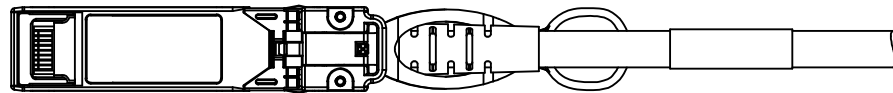
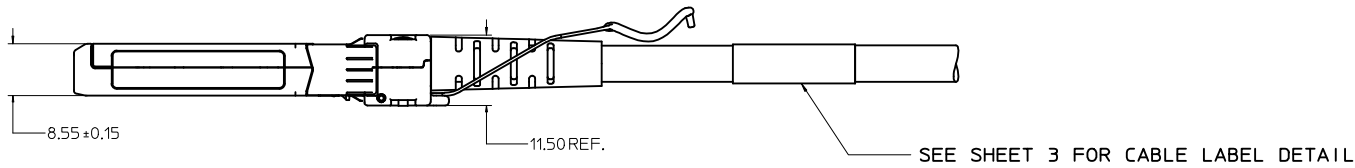
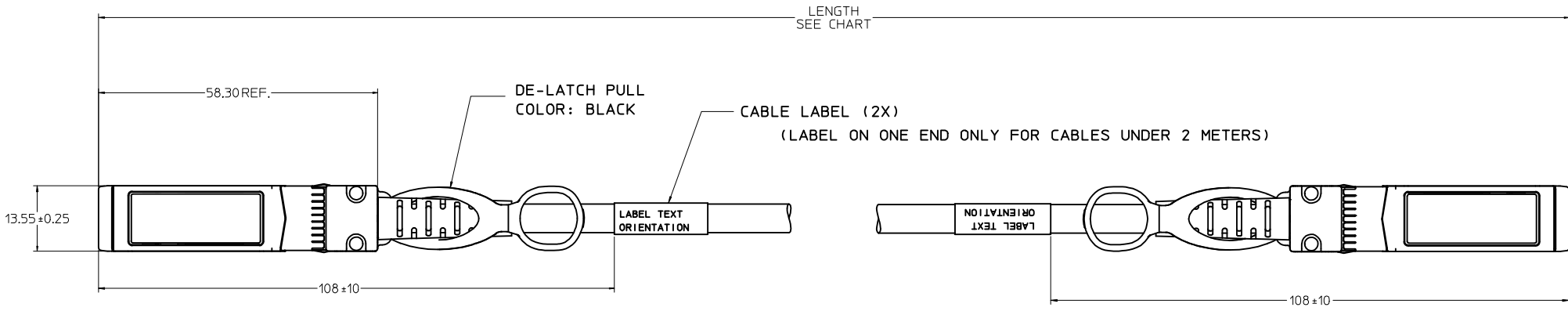


P/N: SEE TABLE  
 S/N: Y = YEAR, LAST DIGIT OF YEAR  
 DDD = DAY OF THE YEAR  
 L = LOCATION - 1 = USA  
 2 = MEXICO  
 3 = CHINA  
 4 = PHILIPPINES  
 SSSS = SERIAL NUMBER  
 X.XM: CABLE LENGTH, SEE TABLE  
 XXAWG: WIRE GAGE, SEE TABLE

(DATE CODE ISO-8601 FORMAT)

NOTES :  
 CUSTOM CABLE LENGTH AND GAUGE AVAILABLE UPON REQUEST

UPDATED P/N TABLE EC NO: CPG2016-1793 DRW: WALLACE01 2015/10/27 CHKD: APPR: CHIRSCHY 2015/10/28	QUALITY SYMBOLS ∇=0 ∇=0 ∇=0	GENERAL TOLERANCES (UNLESS SPECIFIED)		DIMENSION STYLE <b>MM ONLY</b>	SCALE 1:1	DESIGN UNITS METRIC	THIRD ANGLE PROJECTION
		4 PLACES ± --- ± --- 3 PLACES ± --- ± --- 2 PLACES ± 0.13 ± --- 1 PLACE ± 0.25 ± --- 0 PLACE ± ±	mm INCH	DRAWN BY BCHENO6_USY 2014/10/07	DATE	TITLE ZSFP+ TO ZSFP+ 28G PASSIVE CABLE ASSEMBLY	MATERIAL NO. <b>SD-111145-0001</b>
ANGULAR ± 2 ° DRAFT WHERE APPLICABLE MUST REMAIN WITHIN DIMENSIONS		SEE P/N TABLE		THIS DRAWING CONTAINS INFORMATION THAT IS PROPRIETARY TO MOLEX INCORPORATED AND SHOULD NOT BE USED WITHOUT WRITTEN PERMISSION			



**NOTES:**

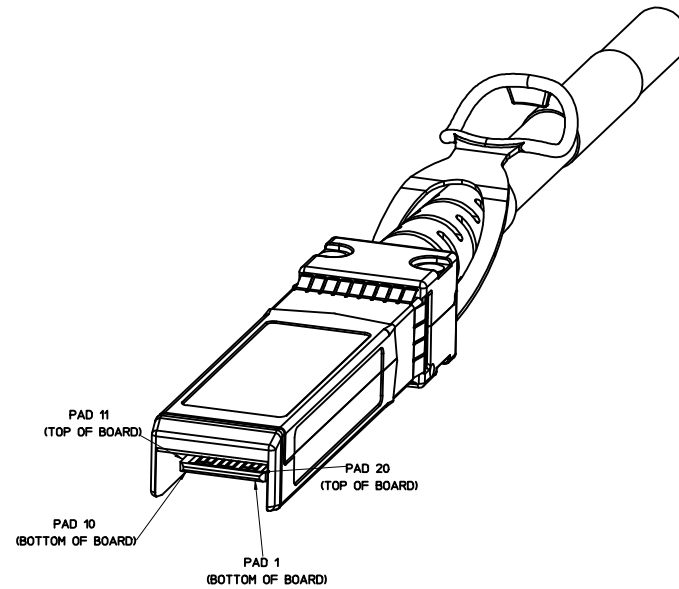
1. MATERIALS  
 BACKSHELLS - NICKEL PLATED ZINC  
 DE-LATCH - PLASTIC  
 PCB - FR-4  
 RIVETS - STAINLESS STEEL
2. IMPEDANCE - 100 OHMS DIFFERENTIAL, PASSIVE
3. PULL TO RELEASE, PLUNGER STYLE LATCH
4. EACH ASSEMBLY HAS A SERIAL ID
5. 11.09 Gbps BACKWARDS COMPATIBLE TO 1.0625 Gbps
6. RoHS COMPLIANT, NO EXEMPTIONS.

<b>SEE REV HISTORY</b> IEC NO: CPG2016-0706 DRWN:GBARELLA 2015/08/13 CHY:KEMENNA 2015/08/13 APPR:ARVIBURN 2015/08/13 REV:	QUALITY SYMBOLS	GENERAL TOLERANCES (UNLESS SPECIFIED)	DIMENSION STYLE	SCALE	DESIGN UNITS	THIRD ANGLE PROJECTION	
	▽=0	mm INCH	MM ONLY	2.5:1	METRIC		
	▽=0	4 PLACES ± --- ± ---					
	▽=0	3 PLACES ± --- ± ---					
		ANGULAR ± 2 °					
		DRAFT WHERE APPLICABLE MUST REMAIN WITHIN DIMENSIONS					
			DRAWN BY DATE				
			JERWIN 2007/01/30				
			CHECKED BY DATE				
			KLLOYD 2007/01/30				
			APPROVED BY DATE				
			RAHMOOD 2007/01/30				
			MATERIAL NO.	DOCUMENT NO.			
			SEE SHEET 3	SD-74752-001			
			THIS DRAWING CONTAINS INFORMATION THAT IS PROPRIETARY TO MOLEX INCORPORATED AND SHOULD NOT BE USED WITHOUT WRITTEN PERMISSION				
						SHEET NO. 1 OF 4	

WIRING DIAGRAM				
P1 END			P2 END	
PAD	SIGNAL		PAD	SIGNAL
12	RD-	←	19	TD-
13	RD+	←	18	TD+
18	TD+	→	13	RD+
19	TD-	→	12	RD-

LOW SPEED SIGNALS	
SFP+	
PAD	SIGNAL
02	Tx_Fault
03	Tx_Disable
04	SDA
05	SCL
06	Mod_ABS
07	RS0
08	Rx_LOS
09	RS1
15	VccR
16	VccT

SFP+



CUSTOM LENGTHS AVAILABLE.  
 LONGER LENGTH APPLICATIONS REQUIRE  
 HOST SYSTEM PRE-EMPHASIS AND  
 EQUALIZATION.  
 SEE DATASHEET FOR MORE INFORMATION.

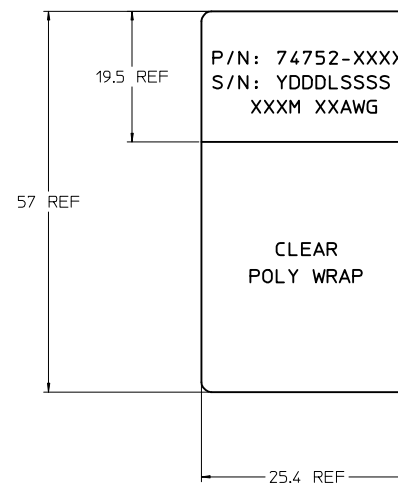
<b>SEE REV HISTORY</b> IEC NO: CPG2016-0706 DRAWN BY: DRWN:GBARDILLA 2015/08/13 CHECKED BY: CHYK:EMEDINA 2015/08/13 APPR:ARABURIN 2015/08/13	QUALITY SYMBOLS	GENERAL TOLERANCES (UNLESS SPECIFIED)	DIMENSION STYLE	SCALE	DESIGN UNITS	THIRD ANGLE PROJECTION
	▽=0	4 PLACES ± mm ± INCH	MM ONLY	4:1	METRIC	☉
	▽=0	3 PLACES ± 0.13 ± 0.005				
	▽=0	2 PLACES ± 0.25 ± 0.010				
		ANGULAR ± 2 °	DRAWN BY: JERWIN 2007/01/30	DATE: 2007/01/30	TITLE: SFP+ 10G PASSIVE CABLE ASSEMBLY	
		DRAFT WHERE APPLICABLE MUST REMAIN WITHIN DIMENSIONS	CHECKED BY: KLLOYD 2007/01/30	DATE: 2007/01/30	DOCUMENT NO. SD-74752-001	
			APPROVED BY: RMAHMOOD 2007/01/30	DATE: 2007/01/30	SHEET NO. 2 OF 4	
			MATERIAL NO. SEE SHEET 3	DATE: 2007/01/30	INCORPORATED AND SHOULD NOT BE USED WITHOUT WRITTEN PERMISSION	

PART NUMBER CHART

PART NUMBER	LENGTH	TOL.	AWG
747520010	0.3M	±0.03M	32
747520011	0.5M	±0.03M	32
747520012	1.0M	±0.05M	32
747520013	2.0M	±0.05M	32
747520014	3.0M	±0.05M	32
747520015	4.0M	±0.05M	32
747520016	5.0M	±0.08M	32
747521031	0.3M	±0.03M	30
747521051	0.5M	±0.03M	30
747521101	1.0M	±0.05M	30
747521151	1.5M	±0.05M	30
747521201	2.0M	±0.05M	30
747521251	2.5M	±0.05M	30
747521301	3.0M	±0.05M	30
747521401	4.0M	±0.05M	30
747521501	5.0M	±0.08M	30
747521601	6.0M	±0.08M	30
747521701	7.0M	±0.08M	30
747521801	8.0M	±0.08M	30
747521901	9.0M	±0.08M	30
747529001	10.0M	±0.08M	30
747522031	0.3M	±0.03M	28
747522051	0.5M	±0.03M	28
747522101	1.0M	±0.05M	28
747522151	1.5M	±0.05M	28
747522201	2.0M	±0.05M	28
747522301	3.0M	±0.05M	28
747522401	4.0M	±0.05M	28
747522501	5.0M	±0.08M	28
747522701	7.0M	±0.08M	28
747522801	8.0M	±0.08M	28
747522901	9.0M	±0.08M	28
747529002	10.0M	±0.08M	28
747529010	15.0M	±0.08M	28

PART NUMBER	LENGTH	TOL.	AWG
747523051	0.5M	±0.03M	26
747523061	0.6M	±0.03M	26
747523101	1.0M	±0.05M	26
747523201	2.0M	±0.05M	26
747523301	3.0M	±0.05M	26
747523501	5.0M	±0.08M	26
747523701	7.0M	±0.08M	26
747523901	9.0M	±0.08M	26
747529003	10.0M	±0.08M	26
747529225	1.6M	±0.05M	26
747529226	1.75M	±0.05M	26
747529227	2.25M	±0.05M	26
747524051	0.5M	±0.03M	24
747524101	1.0M	±0.05M	24
747524201	2.0M	±0.05M	24
747524301	3.0M	±0.05M	24
747524401	4.0M	±0.05M	24
747524501	5.0M	±0.08M	24
747524541	5.4M	±0.08M	24
747524571	5.7M	±0.08M	24
747524601	6.0M	±0.08M	24
747524701	7.0M	±0.08M	24
747524801	8.0M	±0.08M	24
747524901	9.0M	±0.08M	24
747529004	10.0M	±0.08M	24
747529013	11.0M	±0.08M	24
747529008	12.0M	±0.08M	24
747529015	13.0M	±0.08M	24
747529016	14.0M	±0.08M	24
747529007	15.0M	±0.08M	24

CABLE LABEL DETAIL



YDDDLSSSS  
 Y---YEAR, THE LAST DIGIT OF THE YEAR  
 DDD---DAY OF THE YEAR  
 L---LOCATION (1=US, 2=MEXICO, 3=CHINA, 4=PHILIPPINES)  
 SSSS---SERIAL NUMBER (UNIQUE AT P/N LEVEL ONLY)

XXXM---LENGTH AS SHOWN IN P/N CHART

XXAWG---AWG SIZE

SEE REV HISTORY EIC NO: CPG2016-0706 DRAWN BY: DRWNGARDIELLA CHECKED BY: CHYKDEMDINA APPR: ARABURN 2015/08/13 2015/08/13 2015/08/13	QUALITY SYMBOLS	GENERAL TOLERANCES (UNLESS SPECIFIED)	DIMENSION STYLE	SCALE	DESIGN UNITS	THIRD ANGLE PROJECTION
	▽=0	mm INCH	MM ONLY	1:1	METRIC	☉
	▽=0	4 PLACES ± --- ± ---				
	▽=0	3 PLACES ± 0.13 ± ---				
		ANGULAR ± 2 °	DRAWN BY: JERWIN	DATE: 2007/01/30	TITLE: SFP+ 10G PASSIVE CABLE ASSEMBLY	
		DRAFT WHERE APPLICABLE MUST REMAIN WITHIN DIMENSIONS	CHECKED BY: KLOYD	DATE: 2007/01/30		
			APPROVED BY: RMAHMOOD	DATE: 2007/01/30		
			MATERIAL NO:	DOCUMENT NO:	molex	
			SEE CHART	SD-74752-001	SHEET NO. 3 OF 4	
			THIS DRAWING CONTAINS INFORMATION THAT IS PROPRIETARY TO MOLEX INCORPORATED AND SHOULD NOT BE USED WITHOUT WRITTEN PERMISSION			

