

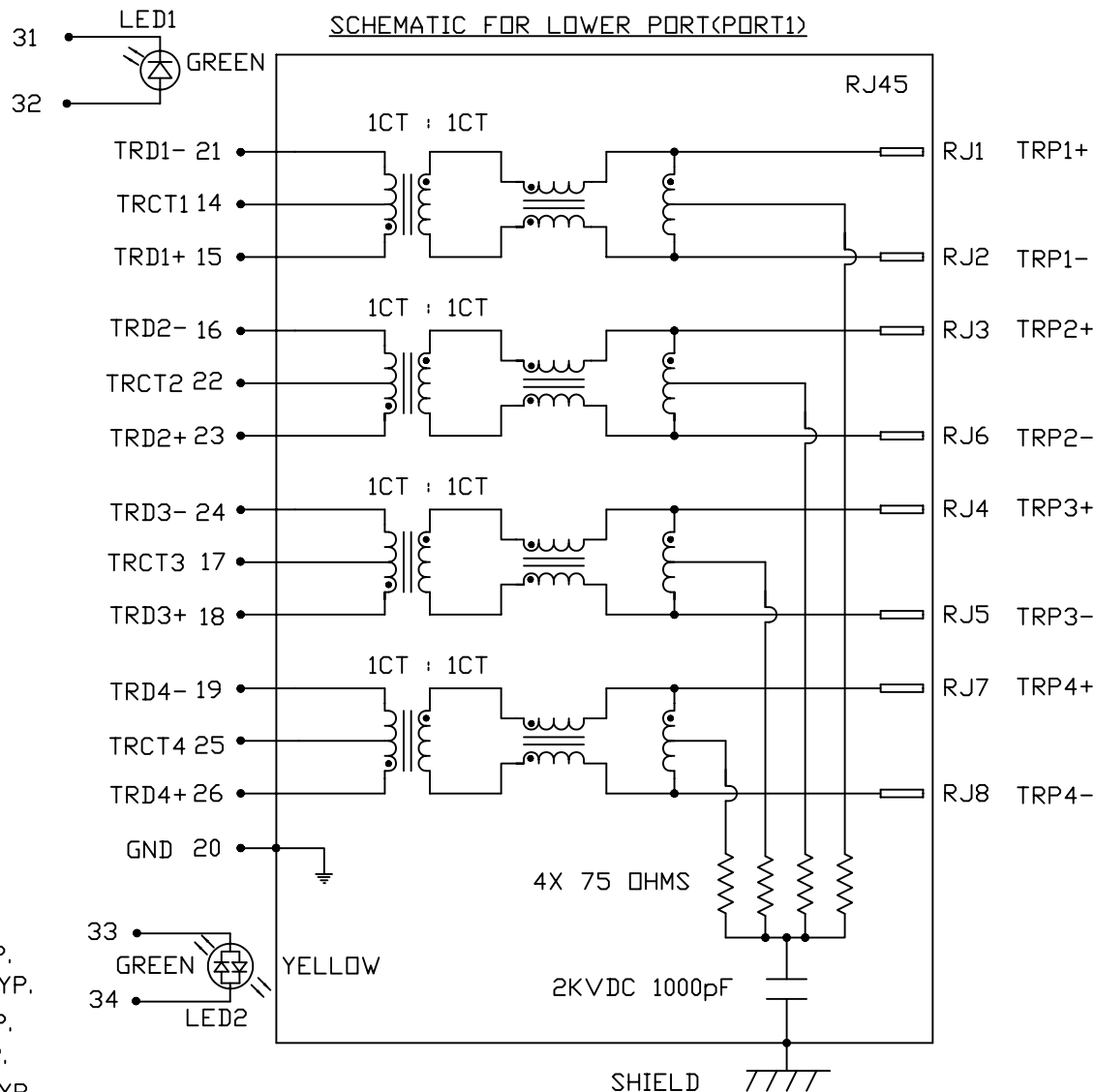
THE INFORMATION CONTAINED HEREIN IS CONSIDERED "PROPRIETARY" TO BEL FUSE INC. AND SHALL NOT BE COPIED, REPRODUCED OR DISCLOSED WITHOUT THE WRITTEN APPROVAL OF BEL FUSE INC.

LED1 POLARITY			LED2 POLARITY		
PIN 31	PIN 32	COLOR	PIN 33	PIN 34	COLOR
-	+	GREEN	+	-	YELLOW
			-	+	GREEN

PRELIMINARY

ELECTRICAL CHARACTERISTICS @ 25°C

URNS RATIO	
TP1	1CT : 1CT ±2%
TP2	1CT : 1CT ±2%
TP3	1CT : 1CT ±2%
TP4	1CT : 1CT ±2%
QCL @ 100kHz,100mVRMS	
8mA DC BIAS	350 uH MIN.
INS. LOSS	
100KHz TO 100MHz	-1.1 dB MAX
RET. LOSS (MIN)	
1MHz-30MHz	-18 dB
30MHz-60MHz	-16 dB
60MHz-80MHz	-14 dB
80MHz-100MHz	-12 dB
CM TO CM REJ	
100kHz - 100MHz	-25 dB TYP
CROSS TALK	
1MHz - 60MHz	-35 dB TYP
60MHz - 100MHz	-25 dB TYP
HIPOT (Isolation Voltage):	
	1500 Vrms
LEAKAGE INDUCTANCE	
PRIMARY W/ SECONDARY SHORTED	0.3uH Max. @ 1MHz
INTERWINDING CAPACITANCE	
PER CHANNEL (PRI. TO SEC.)	70pF Max @ 1MHz
DC RESISTANCE	
(21-15)=(16-23)=(24-18)=(19-26)	1.2 ohms Max
(RJ1-RJ2)=(RJ3-RJ6)=(RJ4-RJ5)=(RJ7-RJ8)	1.2 ohms Max
LED 1	
VF (FORWARD VOLTAGE)	IF=20mA GREEN 2.2V TYP.
λD (DOMINANT WAVELENGTH)	IF=20mA GREEN 565nm TYP.
LED 2	
VF (FORWARD VOLTAGE)	IF=20mA GREEN 2.2V TYP.
λD (DOMINANT WAVELENGTH)	IF=20mA GREEN 565nm TYP.
	IF=20mA YELLOW 2.1V TYP.
	IF=20mA YELLOW 590nm TYP.



DRWN	DATE	TITLE
Y.C.XU	08-03-04	2X1 gigabit MagJack™
CHKD	DATE	
CHUNG	08-03-04	(with LED)

PART NO. / DRAWING NO.
0845-2R1T-H7
FILE NAME
08452R1TH7PA.DWG

STANDARD DIM. TOL. IN INCH	[] METRIC DIM. AS REFERENCE
.X	UNIT : INCH [mm]
.XX	SCALE : N/A
.XXX	REV. : PA
	SIZE : A4
	PAGE : 2



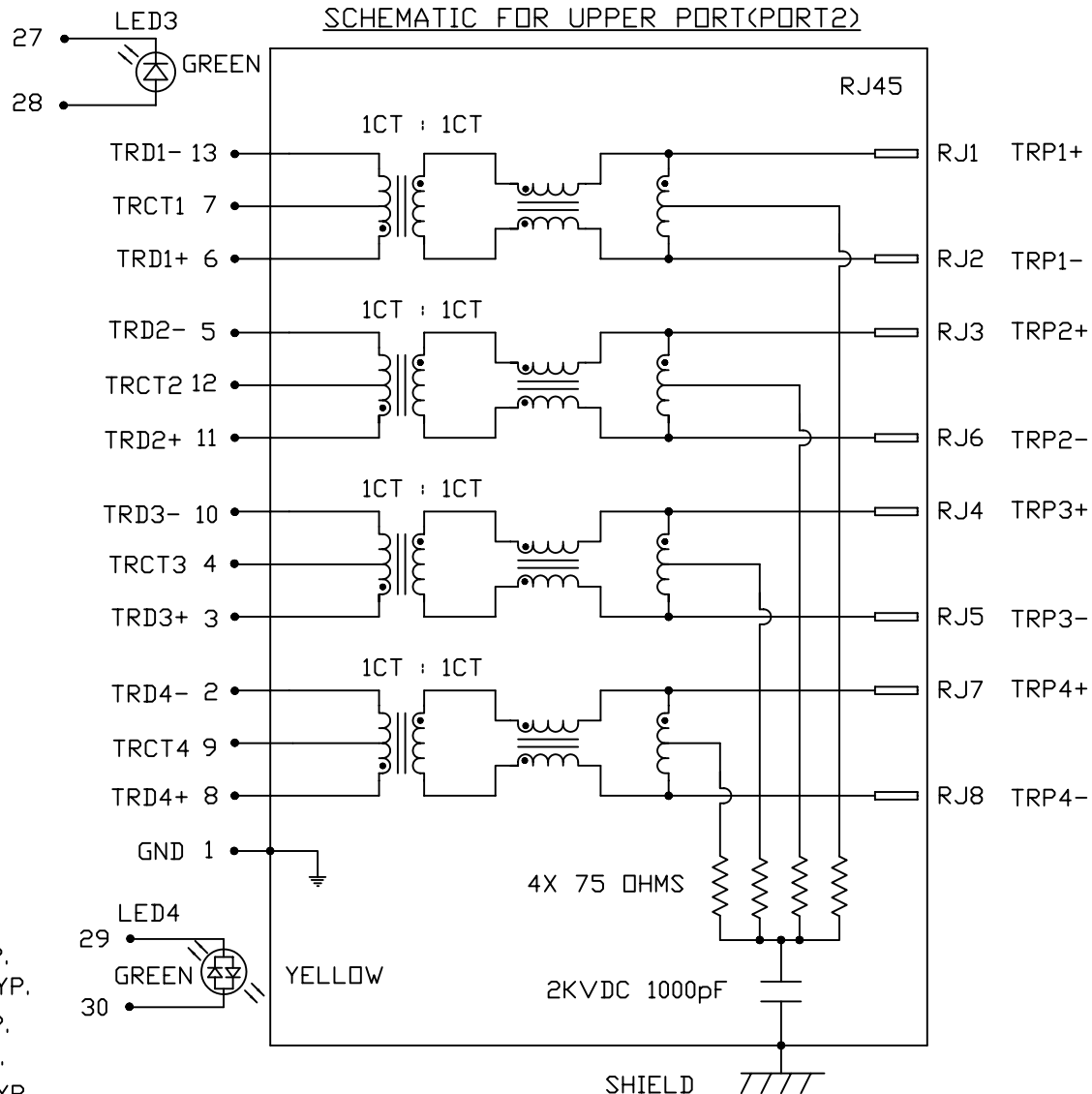
THE INFORMATION CONTAINED HEREIN IS CONSIDERED "PROPRIETARY" TO BEL FUSE INC. AND SHALL NOT BE COPIED, REPRODUCED OR DISCLOSED WITHOUT THE WRITTEN APPROVAL OF BEL FUSE INC.

LED3 POLARITY			LED4 POLARITY		
PIN 27	PIN 28	COLOR	PIN 29	PIN 30	COLOR
-	+	GREEN	+	-	YELLOW
			-	+	GREEN

PRELIMINARY

ELECTRICAL CHARACTERISTICS @ 25°C

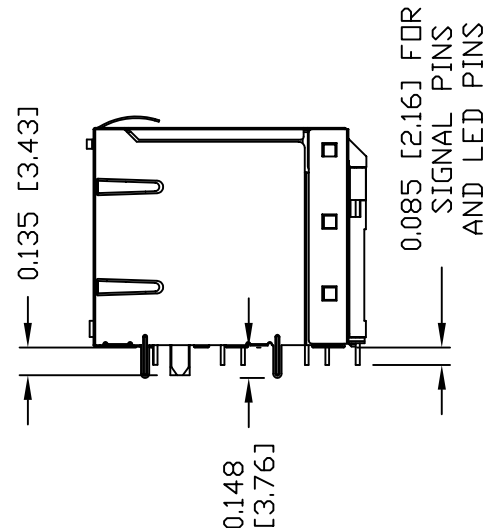
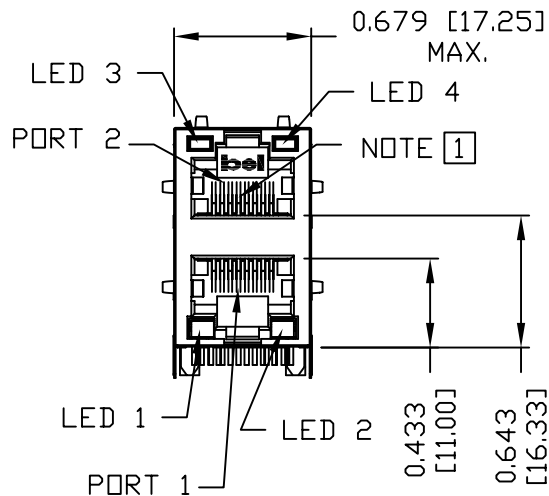
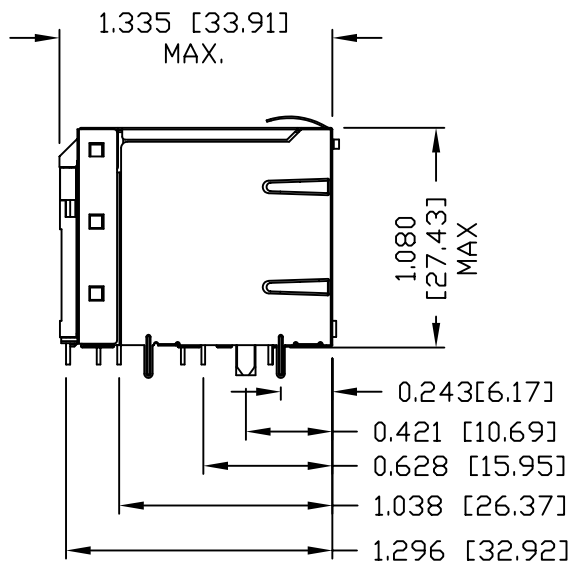
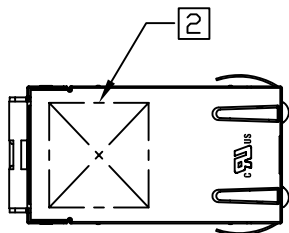
URNS RATIO	
TP1	1CT : 1CT ±2%
TP2	1CT : 1CT ±2%
TP3	1CT : 1CT ±2%
TP4	1CT : 1CT ±2%
□CL @ 100kHz,100mVRMS	
8mA DC BIAS	350 uH MIN.
INS. LOSS	
100kHz TO 100MHz	-1.1 dB MAX
RET. LOSS (MIN)	
1MHz-30MHz	-18 dB
30MHz-60MHz	-16 dB
60MHz-80MHz	-14 dB
80MHz-100MHz	-12 dB
CM TO CM REJ	
100kHz - 100MHz	-25 dB TYP
CROSS TALK	
1MHz - 60MHz	-35 dB TYP
60MHz - 100MHz	-25 dB TYP
HIPOT (Isolation Voltage):	1500 Vrms
LEAKAGE INDUCTANCE	
PRIMARY W/ SECONDARY SHORTED	0.3uH Max. @ 1MHz
INTERWINDING CAPACITANCE	
PER CHANNEL (PRI. TO SEC.)	70pF Max @ 1MHz
DC RESISTANCE	
(13-6)=(5-11)=(10-3)=(2-8)	1.2 ohms Max
(RJ1-RJ2)=(RJ3-RJ6)=(RJ4-RJ5)=(RJ7-RJ8)	1.2 ohms Max
LED 3	
VF (FORWARD VOLTAGE)	IF=20mA GREEN 2.2V TYP.
λD (DOMINANT WAVELENGTH)	IF=20mA GREEN 565nm TYP.
LED 4	
VF (FORWARD VOLTAGE)	IF=20mA GREEN 2.2V TYP.
λD (DOMINANT WAVELENGTH)	IF=20mA GREEN 565nm TYP.
	IF=20mA YELLOW 2.1V TYP.
	IF=20mA YELLOW 590nm TYP.



DRWN Y.C.XU	DATE 08-03-04	TITLE 2X1 gigabit MagJack™ (with LED)	PART NO. / DRAWING NO. 0845-2R1T-H7	STANDARD DIM. TOL. IN INCH .X .XX .XXX	[] METRIC DIM. AS REFERENCE UNIT : INCH [mm] SCALE : N/A	REV. : PA SIZE : A4 PAGE : 3	
CHKD CHUNG	DATE 08-03-04		FILE NAME 08452R1TH7PA.DWG				

THE INFORMATION CONTAINED HEREIN IS CONSIDERED "PROPRIETARY" TO BEL FUSE INC. AND SHALL NOT BE COPIED, REPRODUCED OR DISCLOSED WITHOUT THE WRITTEN APPROVAL OF BEL FUSE INC.

PRELIMINARY



NOTES:

PLASTIC HOUSING: THERMOPLASTIC PBT
 FLAMMABILITY RATING UL 94V-0
 CONTACT PLATING: 50 MICRO-INCH HARD GOLD PLATING
 OUTPUT PINS: TIN-COATED COPPER WIRE, DIA 0.018 INCH.
 METAL SHIELD: NICKEL PLATED COPPER ALLOY.
 RoHS COMPLIANCE, PER EU DIRECTIVE 2002/95/EC.

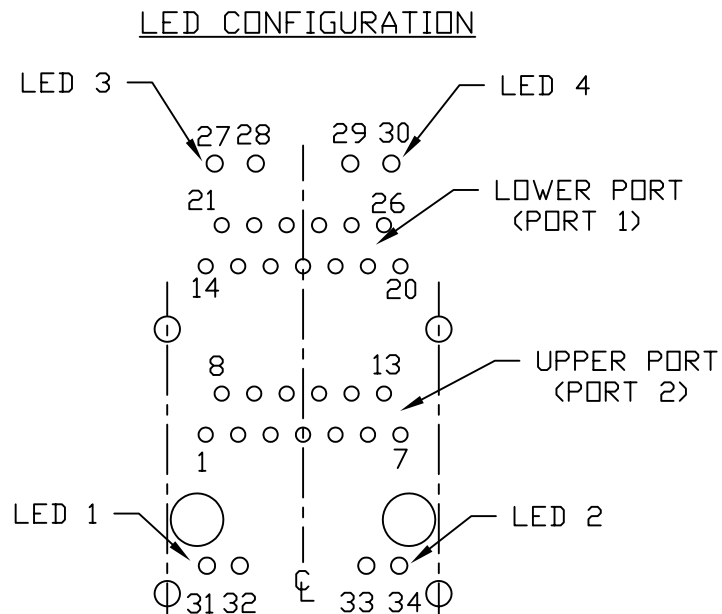
- [1.] JACK CAVITY CONFORMS TO FCC RULES AND REGULATIONS, PART 68 SUBPART F.
- [2.] MARK PART WITH MFG LOGO, MFG NAME, PART NUMBER, AND DATE CODE.

UL RECOGNIZED - FILE #E196366 AND E169987.

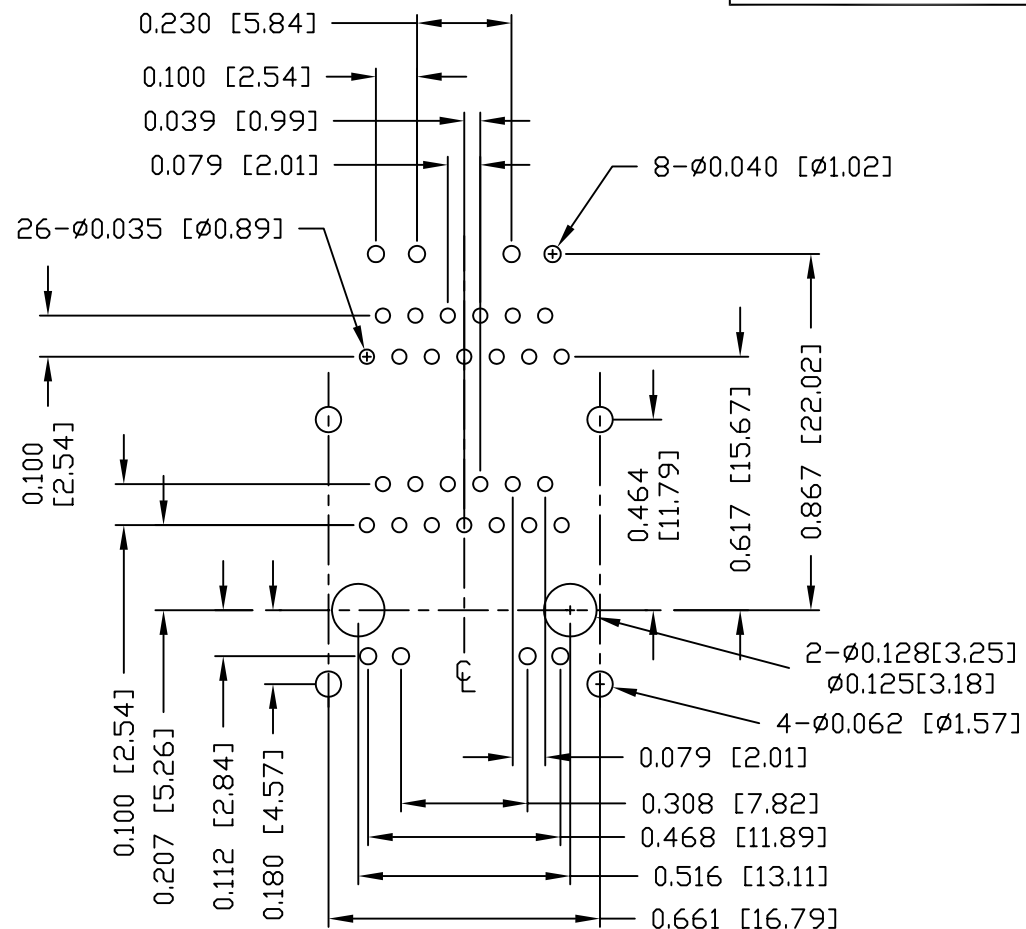
DRWN BAD	DATE 08-03-04	TITLE 2X1 gigabit MagJack™ (with LED)	PART NO. / DRAWING NO. 0845-2R1T-H7	STANDARD DIM.		[] METRIC DIM. AS REFERENCE		
				TOL. IN INCH	UNIT : INCH [mm]	REV. : PA		
CHKD KEUNG	DATE 08-03-04		FILE NAME 08452R1TH7PA.DWG	.X	/	SCALE : N/A	SIZE : A4	COMPONENTS FOR A CONNECTED PLANET
				.XX		±0.010		

THE INFORMATION CONTAINED HEREIN IS CONSIDERED "PROPRIETARY" TO BEL FUSE INC. AND SHALL NOT BE COPIED, REPRODUCED OR DISCLOSED WITHOUT THE WRITTEN APPROVAL OF BEL FUSE INC.

PRELIMINARY



PIN-OUT INFORMATION
(COMPONENT SIDE VIEW)
(SCALE 2:1)



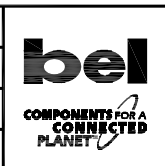
SUGGESTED FOOTPRINT
(COMPONENT SIDE VIEW)
(SCALE 2:1)

DRWN	DATE	TITLE
BAD	08-03-04	2X1 gigabit MagJack™ (with LED)
CHKD	DATE	
KEUNG	08-03-04	

PART NO. / DRAWING NO.	FILE NAME
0845-2R1T-H7	08452R1TH7PA.DWG

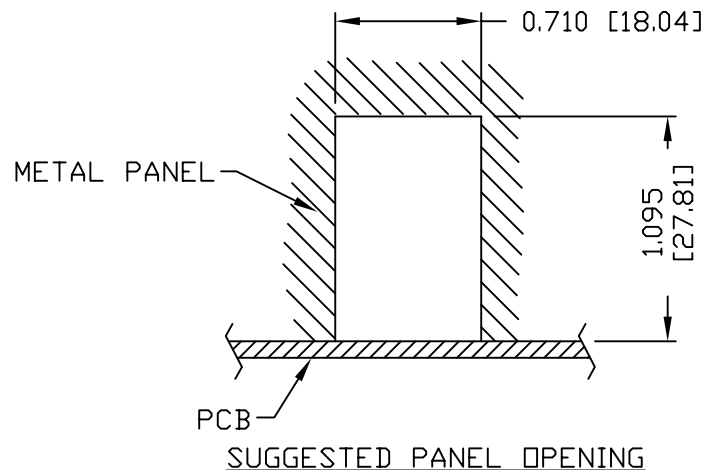
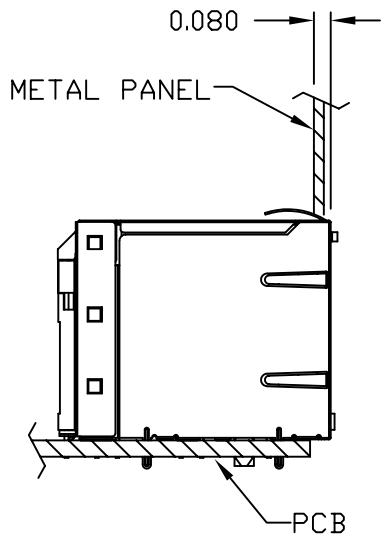
STANDARD DIM.	[] METRIC DIM. AS REFERENCE
TOL. IN INCH	UNIT : INCH [mm]
.X	REV. : PA
.XX	SCALE : N/A
.XXX	SIZE : A4
±0.010	PAGE : 5

UNIT : INCH [mm]	REV. : PA
SCALE : N/A	SIZE : A4
PAGE : 5	



THE INFORMATION CONTAINED HEREIN IS CONSIDERED 'PROPRIETARY' TO BEL FUSE INC. AND SHALL NOT BE COPIED, REPRODUCED OR DISCLOSED WITHOUT THE WRITTEN APPROVAL OF BEL FUSE INC.

PRELIMINARY



NOTE:

THE DISTANCE OF PANEL INSIDE SURFACE RELATIVE TO FRONT SURFACE OF PART IS ONLY A SUGGESTION. IN CASE THIS DISTANCE IS DIFFERENT, THE REQUIRED PANEL OPENING DIMENSIONS CHANGE ACCORDINGLY.

PACKING INFORMATION

PACKING TRAY: 0200-9999-H5 (TOP)
0200-9999-H6 (BOTTOM)

PACKING QUANTITY: 40 PCS FINISHED GOODS PER TRAY
6 TRAYS (240 PCS FINISHED GOODS) PER CARTON BOX.

NOTE: CARDBOARD ARE PLACED BETWEEN LAYERS OF PACKING TRAY INSIDE CARTON BOX.
(INCLUDE THE UPPERMOST AND LOWEREST TRAY)

DRWN BAD	DATE 08-03-04	TITLE 2X1 gigabit MagJack™ (with LED)	PART NO. / DRAWING NO. 0845-2R1T-H7	STANDARD DIM.		[] METRIC DIM. AS REFERENCE		REV. : PA	bel
				TOL. IN INCH		UNIT : INCH [mm]	SIZE : A4		
CHKD KEUNG	DATE 08-03-04		FILE NAME 08452R1TH7PA.DWG	.X	/	SCALE : N/A	PAGE : 6	COMPONENTS FOR A CONNECTED PLANET	
				.XX		±0.005			