

## SOT-23 Plastic-Encapsulate Transistors

### AV9018LT1 TRANSISTOR (NPN)

#### FEATURES

Power dissipation

$P_{CM}$ : 0.2 W ( $T_{amb}=25^{\circ}C$ )

Collector current

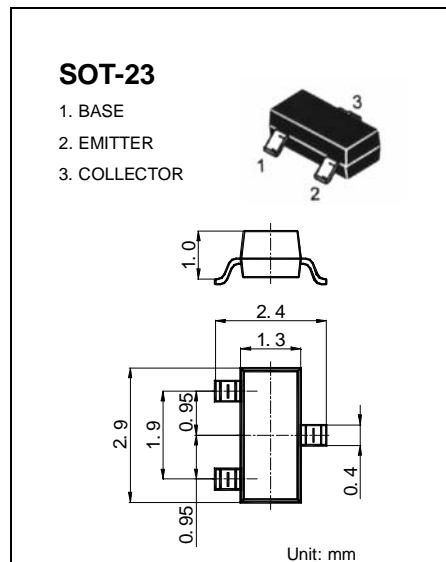
$I_{CM}$ : 0.05 A

Collector-base voltage

$V_{(BR)CBO}$ : 25 V

Operating and storage junction temperature range

$T_J, T_{stg}$ :  $-55^{\circ}C$  to  $+150^{\circ}C$



#### ELECTRICAL CHARACTERISTICS ( $T_{amb}=25^{\circ}C$ unless otherwise specified)

Parameter	Symbol	Test conditions	MIN	TYP	MAX	UNIT
Collector-base breakdown voltage	$V_{(BR)CBO}$	$I_C=100\mu A, I_E=0$	25			V
Collector-emitter breakdown voltage	$V_{(BR)CEO}$	$I_C=0.1mA, I_B=0$	18			V
Emitter-base breakdown voltage	$V_{(BR)EBO}$	$I_E=100\mu A, I_C=0$	4			V
Collector cut-off current	$I_{CBO}$	$V_{CB}=20V, I_E=0$			0.1	$\mu A$
Collector cut-off current	$I_{CEO}$	$V_{CE}=15V, I_B=0$			0.1	$\mu A$
Emitter cut-off current	$I_{EBO}$	$V_{EB}=3V, I_C=0$			0.1	$\mu A$
DC current gain	$h_{FE(1)}$	$V_{CE}=5V, I_C=1mA$	70		190	
Collector-emitter saturation voltage	$V_{CE(sat)}$	$I_C=10mA, I_B=1mA$			0.5	V
Base-emitter saturation voltage	$V_{BE(sat)}$	$I_C=10mA, I_B=1mA$			1.4	V
Transition frequency	$f_T$	$V_{CE}=5V, I_C=5mA$ $f=400MHz$	600			MHz

DEVICE MARKING	S9018LT1= J8
----------------	--------------