

RED INDICATES ORIGINAL

DASH NO	FIG	CABLES ACCOMMODATED	A DIM	B FLATS	C HEX	ASSEMBLE PER
-1/B	1,3	RG-58	.960	.437	.437	TAI-101
-U1/B		ESSEX 621-715				
-2/B		RG-59				
-U2/B		BELDEN 8279				
-2A		AT&T 730A				
-U2A						
-2B						
-U2B						
-3		RG-223				
-U3		RG-55				
-3A		RG-122				
-U3A		BELDEN 8218				
-4		RG-174				
-U4		RG-187				
-5/B		RG-196				
-U5/B	HEWLETT-PACKARD 8120-1107					
-5A						
-U5A						
-5B						
-U5B						
-6	1	BELDEN 9231	1.001	.500	.500	TAI-119
-U6		RG-5				
-U6E		RG-6				
-21	1,3	RG-303	.960	.437	.437	TAI-101
-U21		RG-180				
-22		GRUMMAN 6C8756P1				
-U22		RG-187 DBL SHLD				
-31		BELDEN 8228				
-U31		275-3991 MICRODOT				
-34		616-569 AMPPEX				
-U34		810 RAYCHEM				
-36		RG-304				
-U36		9248 BELDEN				
-37		BRAND-REX 8749				
-U37		60RE C06C032				
-41						
-U41						
-44						
-U44						
-51	1	88281 BELDEN	1.001	.500	.500	TAI-119
-U51		89120 BELDEN				
-52						
-U52						
-53	1,3	89555 BELDEN	.960	.437	.437	TAI-101
-U53		734A.AT&T				
-63						
-U63						
-086	2	RG-405	.960	.437	.437	TAI-130
-U086		RG-402				
-141						
-U141						

FIG 1
- 1 SHOWN

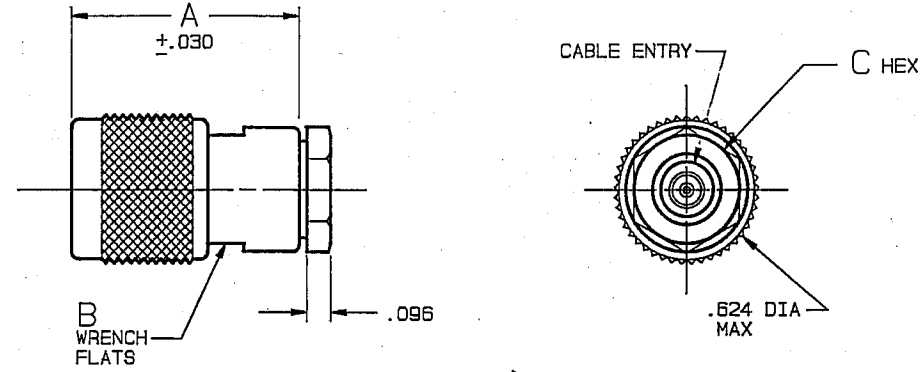


FIG 2
- 086 SHOWN

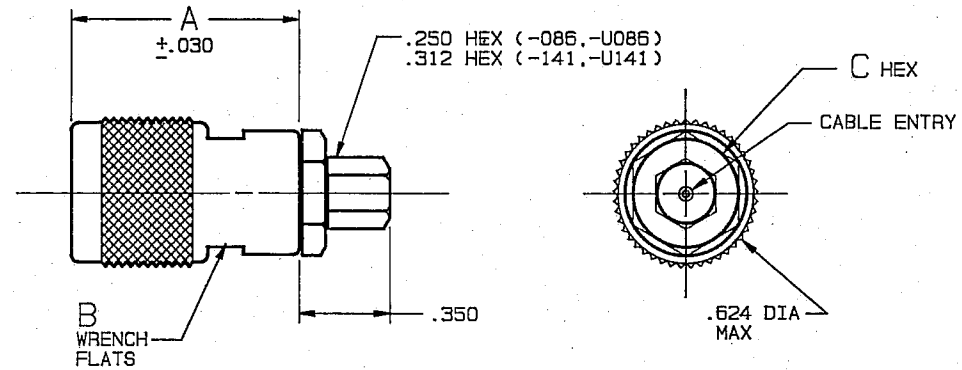
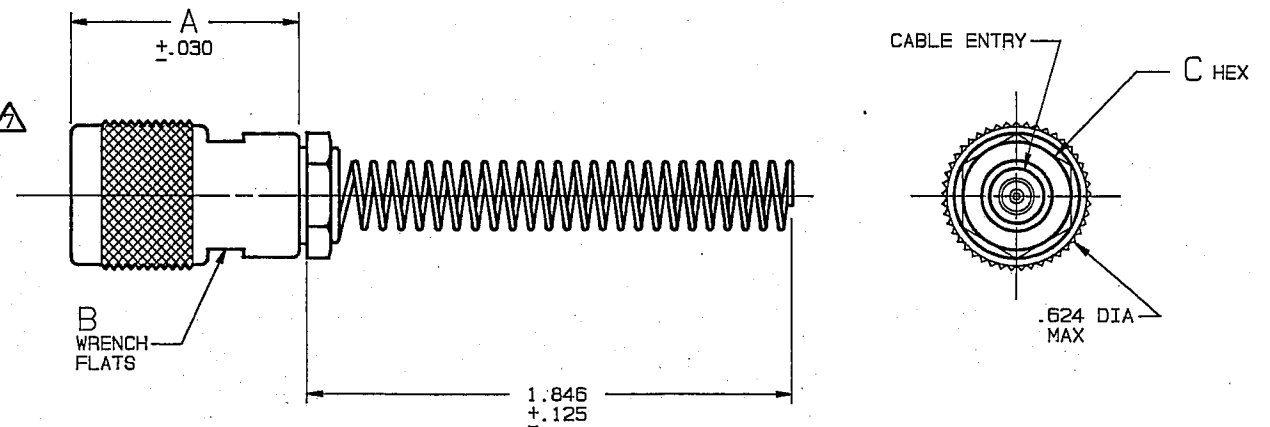


FIG 3
- 1 SHOWN



INCH	MM
.005	0.13
.030	0.76
.096	2.44
.125	3.18
.250	6.35
.312	7.92
.350	8.89
.437	11.10
.500	12.70
.624	15.85
.960	24.38
1.001	25.43
1.846	46.89

⚠ IF SAFETY WIRE & BEND RELIEF SPRING REQUIRED ADD SUFFIX "SBR" TO MODEL NO. (NOT AVAILABLE WITH CABLE GROUPS -6, -U6, -6E, -U6E, -51, -U51, -52, -U52, -63, -U63, -086, -U086, -141 & -U141)

⚠ IF BEND RELIEF SPRING REQUIRED ADD SUFFIX "BR" TO MODEL NO. (SEE FIG 3) (NOT AVAILABLE WITH CABLE GROUPS -6, -U6, -6E, -U6E, -51, -U51, -52, -U52, -63 & -U63)

⚠ IF SAFETY WIRE REQUIRED ADD SUFFIX "S" TO MODEL NO (PL40S/UPL40S)

4. DASH NO DENOTES CABLE GROUP EXCEPT "U" PREFIX DENOTES 75 OHM VERSION

3. MALE TYPE TNC COAXIAL CABLE PLUG BOTH 50 & 75 OHM VERSIONS

2. FINISH: TFS-1A (NICKEL)

1. ALL DIM ARE IN INCHES

⚠ FOR CABLE GROUPS -1 & -U1 SUPPLY 1 EA ACA1 FOR CABLE GROUPS -2 & -U2 SUPPLY 1 EA ACA2 FOR CABLE GROUPS -5 & -U5 SUPPLY 1 EA ACAS MAY BE ASSEMBLED TO CABLE/CONNECTOR ASSY USING 3M SCOTCHGRIP NO. 1099 PLASTIC ADHESIVE, OR EQUIV.)

⚠ IF PLASTIC STRAIN RELIEF REQUIRED, ADD SUFFIX "BT" TO MODEL NO. (ONLY AVAILABLE WITH -1, -U1, -2, -U2, -5, -U5)

QTY	DESCRIPTION	PART NUMBER	ITEM
11-02	1-0261	105-1016	TOL UNLESS SPECIFIED .XX ± .XXX ± .005 .XXXX ± ANGLES
12-06	1-0244	1-0027	
105-0717	1-0217	1-0026	DWN J S 3/18/90 CHK UH 3/23/90 ENGR JSM 3/23/90 APPR [Signature] 3-23-90
105-0623	1-0214	105-0489	
	1-0206	105-0241	MATERIAL CODE IDENT 14949
	1-0205	205-0001	
	1-0203	NEXT ASSY	DRAWING NO. 1-0014
			REV AF
			SCALE 2/1 DATE 5/12/66 SHEET 1 OF 2

TROMPETER ELECTRONICS, INC.

PL40/S/BR/SBR/
UPL40/S/BR/SBR