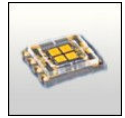


## RGBX lenses for Osram Ostar SMT series of LEDs



- Specially designed for Osram SMT series of LEDs.
- Special care taken to make a uniform RGB, white or warm white illumination.
- Lens material optical grade PMMA. Allows use of high current and temperature conditions
- Best available optical efficiency, up to 90%.

## LENS TYPES

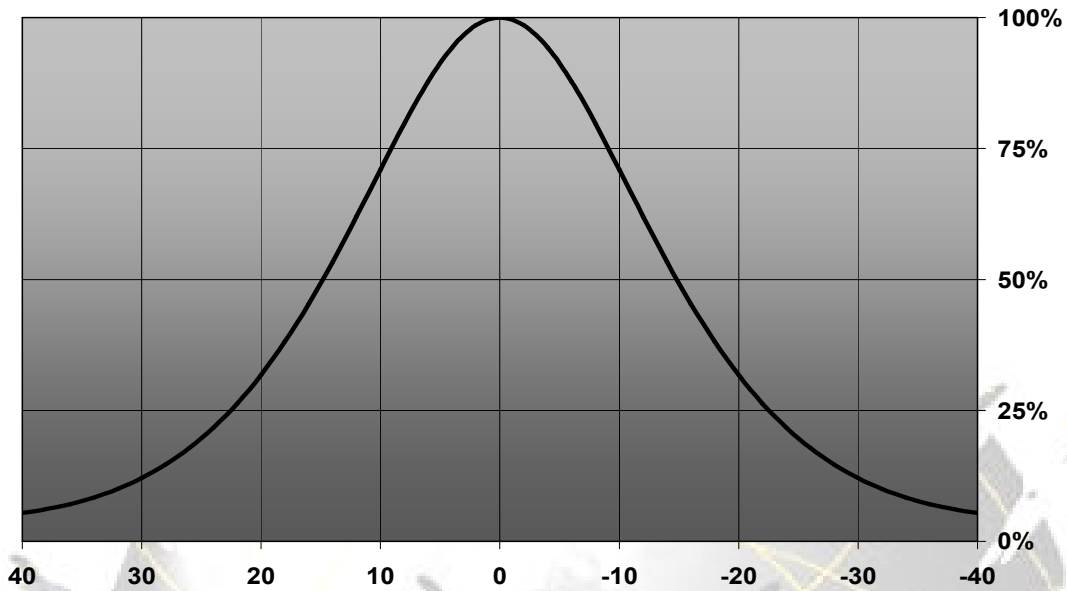
NAME	ORDERING CODE	FWHM Angle
RGBX-O-SMT Smooth Spot	CA10960_RGBX-O-SMT-SS	±N/A°
RGBX-O-SMT Medium	CA10766_RGBX-O-SMT-M	±15°
RGBX-O-SMT Oval	CA10767_RGBX-O-SMT-O	±25 x ±17°

**SMOOTH SPOT** lens is a pure collimator lens with no good color mixing properties. SMOOTH SPOT lens is recommended for white light applications or color applications where maximum light intensity is needed.

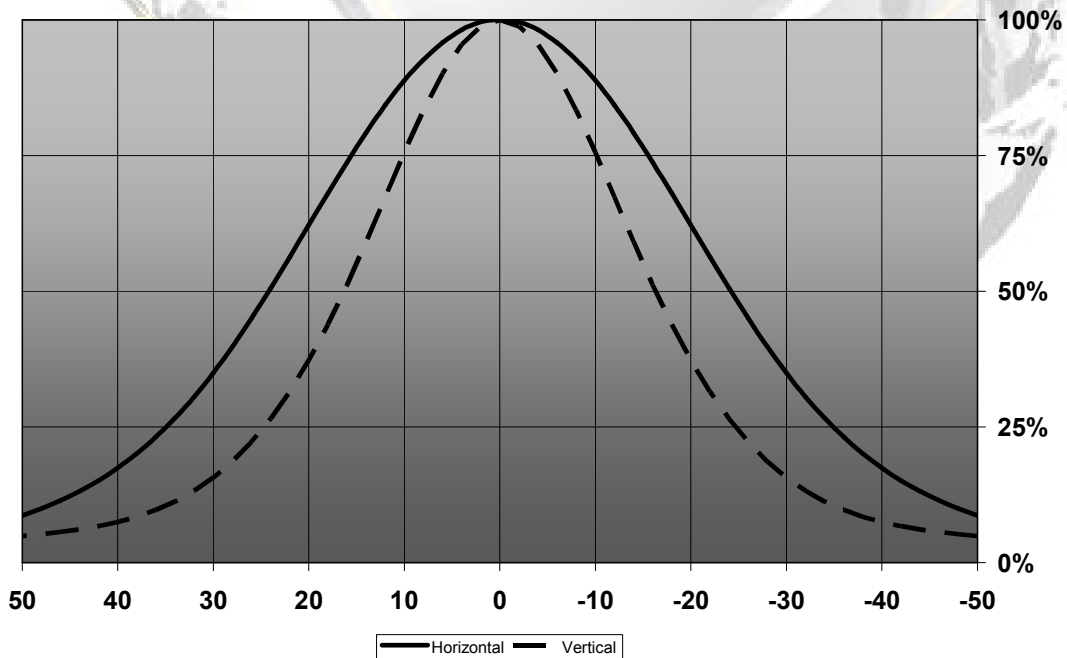
**MEDIUM** lens is optimal for cases where a pleasant, medium-type spotlight distribution with uniform color mixing is wished.

**OVAL** lens is optimal for cases where an oval beam with good color mixing is wished.

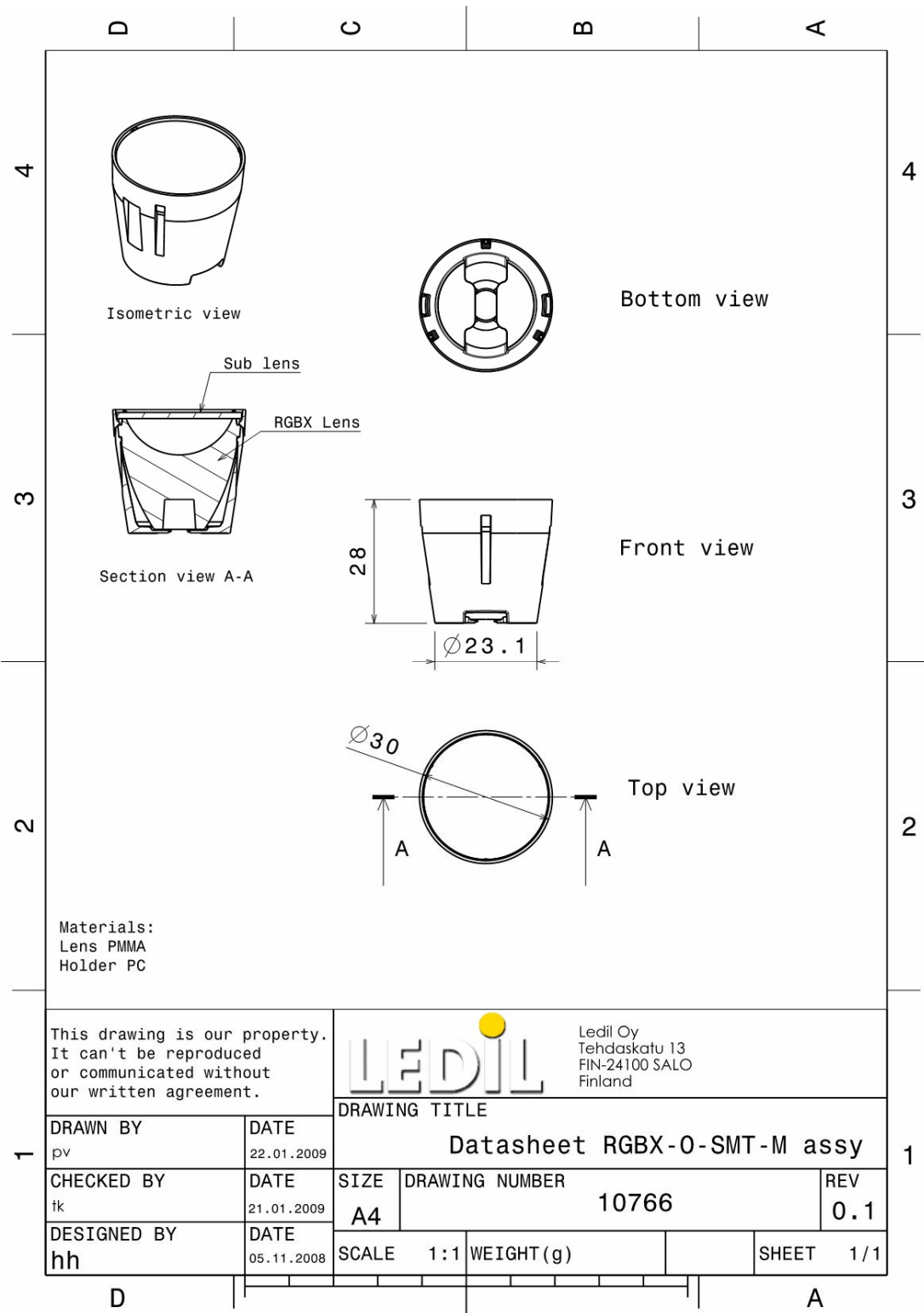
Relative Intensity of FA10766\_RGBX-O-SMT-M



Relative Intensity of FA10767\_RGBX-O-SMT-O



© Ledil Oy – PRELIMINARY - Subject to change without prior notice



This drawing is our property.  
It can't be reproduced  
or communicated without  
our written agreement.

Ledil Oy  
Tehdaskatu 13  
FIN-24100 SALO  
Finland

DRAWN BY pv		DATE 22.01.2009		DRAWING TITLE Datasheet RGBX-0-SMT-M assy	
CHECKED BY tk		DATE 21.01.2009		SIZE A4	DRAWING NUMBER 10766
DESIGNED BY hh		DATE 05.11.2008		SCALE 1:1	WEIGHT(g) SHEET 1/1

© Ledil Oy – PRELIMINARY - Subject to change without prior notice