

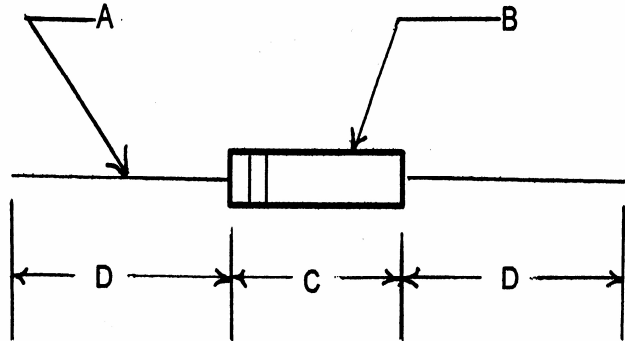
Edal

SERIES BR757

SUB-MINIATURE SILICON HIGH VOLTAGE FAST RECOVERY RECTIFIER

INCHES

| DIM. | MIN. | MAX. |
|------|------|------|
| A | .019 | .022 |
| B | .120 | .125 |
| C | .395 | .405 |
| D | .875 | |



| PART NUMBER | PIV VOLTS | I_o ma 40° C | $V_f I_o$ @ 25° C | I_r @ PIV @ 25° C | MAX SINGLE CYCLE SURGE CURRENT |
|-------------|-----------|-------------------|----------------------|------------------------|--------------------------------|
| BR757-50 | 5000 | 50 | 10 | 2 uA | 25 AMPS |
| BR757-60 | 6000 | 25 | 12 | 2 uA | 25 AMPS |
| BR757-70 | 7000 | 25 | 15 | 2 uA | 25 AMPS |
| BR757-80 | 8000 | 25 | 18 | 2 uA | 25 AMPS |
| BR757-100 | 10000 | 25 | 18 | 2 uA | 25 AMPS |
| BR757-120 | 12000 | 25 | 23 | 2 uA | 25 AMPS |
| BR757-150 | 15000 | 25 | 38 | 2 uA | 25 AMPS |
| BR757-200 | 20000 | 25 | 45 | 2 uA | 25 AMPS |

RECOVERY TIME: $I_o = 2\text{mA}$ to 4mA to $1\text{ mA} - 250\text{ n SEC.}$

(203) 467-2591 TEL
 (203) 469-5928 FAX
 Email: info @ edal.com
 Internet: <http://www.edal.com>

EDAL industries, inc.

51 Commerce St. East Haven, CT 06512