

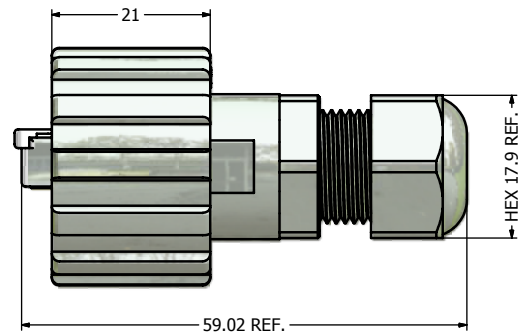
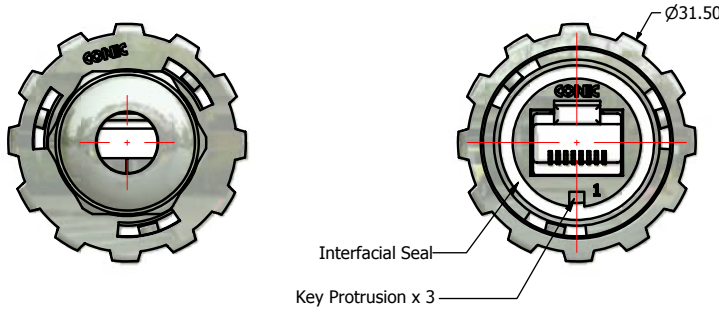
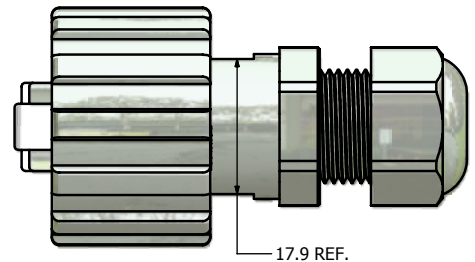
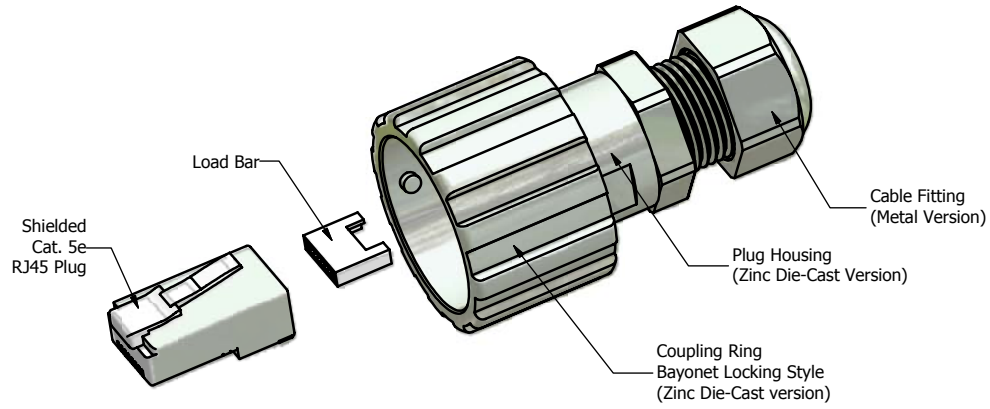
6 5 4 3 2 1

D

C

B

A



- Notes:**
- Electrical Specifications:
 - Meets EIA/TIA-568-B.2 Cat.5e Specification
 - Contact Resistance: 20mOhm max.
 - Insulation Resistance: 500MOhm min. @ 100 VDC
 - Current Rating: 1.2A max. at 25° C
 - Working Voltage: 100 VDC
 - DWV: 1000 VDC/60s Contact to Contact, 1500 VDC/60s Contact to Metal Shell
 - Operating Temperature: -40° C to +85° C

- Material and Finish:
 - Coupling Ring and Plug Housing: Zinc Die-Cast, Nickel Plated
 - Interfacial Seal: Silicone, Color: White
 - Cable Fitting: Brass, Nickel Plated
 - Cable Fitting Rubber Ring: NBR, Color: Black
 - RJ45 Plug Metal Shell: Copper Alloy, Nickel Plated
 - RJ45 Plug Plastic Housing: Clear Polycarbonate UL94 V-0
 - RJ45 Plug Contacts: Phosphor Bronze, Finish: 50u" Gold min. over Nickel
- RJ45 Plug accepts both Stranded and Solid Cables with Outer Diameter of 4.83mm to 6.73mm
- Metal Cable Gland accepts Cable Outer Diameter Range of 4.5mm to 8mm
- RoHS compliant
- IP67 rated when fully mated with the appropriate mating connector

Directive 2002/95/EC
"RoHS"
Compliant

THIS DRAWING MAY NOT BE COPIED, OR REPRODUCED IN ANY WAY AND MAY NOT BE PASSED ON TO A THIRD PARTY WITHOUT WRITTEN PERMISSION. OWNERSHIP AND COPYRIGHT OF CONEC CORPORATION. DOT NOT ALTER CAD DRAWING BY HAND	Customer:			Tolerance Unless otherwise specified			Scale: 1.5:1	Dim. in mm	
	Name	Title	Approval Date	0 PLC ±0.50	1 PLC ±0.38		Autodesk Inventor	Material: See Notes	
				2 PLC ±0.25	3 PLC ±0.10	2009		Date	Name
				ANGLES ±3		Draw.	Dec. 07	Vincent Ke	RJ45 Plug Kit with shielded Cat. 5e RJ45 Plug Zinc Die-Cast Version
						Appd.	Dec. 07	J. Chaudry	
					Norm			Drawing No.: 17K1A147	DIN A3
					D-old			Part No.: 17-101794	Sheet 1/1
	a	original							
Rev.	Changes	Date	Name						

6 5 4 3 2 1



Mouser Electronics

Authorized Distributor

Click to View Pricing, Inventory, Delivery & Lifecycle Information:

[CONEC:](#)

[17-101794](#)