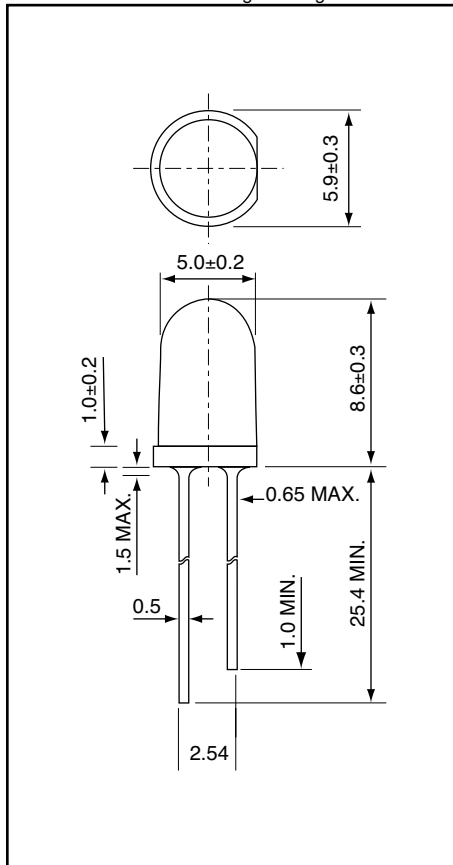




Weight: 0.31g Unit: mm



# AND412HG

## InGaN High Intensity Blue Green Light Emission

- 5 mm (T1-3/4) Package
- Available on tape and reel
- Peak wavelength ( $\lambda_p = 505\text{nm}$ ) high bright emission
- All plastic mold type, clear colorless lens
- Low drive current: 1 to 20 mA DC
- Excellent On-Off contrast ratio
- Fast response time, capable of pulse operation
- High power intensity – suitable for indoor/outdoor applications
- High reliability

• RoHS Compliant

### Maximum Ratings ( $T_a = 25^\circ\text{C}$ )

| Characteristics             | Symbol    | Rating     | Unit |
|-----------------------------|-----------|------------|------|
| Forward Current             | $I_F$     | 30         | mA   |
| Reverse Voltage             | $V_R$     | 5          | V    |
| Power Dissipation           | $P_D$     | 120        | mW   |
| Operating Temperature Range | $T_{Opr}$ | -40 to 85  | C    |
| Storage Temperature Range   | $T_{Sig}$ | -40 to 100 | C    |

### Electro-Optical Characteristics ( $T_a = 25^\circ\text{C}$ )

| Characteristics          | Symbol          | Test Condition          | Minimum | Typical | Maximum | Unit          |
|--------------------------|-----------------|-------------------------|---------|---------|---------|---------------|
| Forward Voltage          | $V_F$           | $I_F = 20\text{ mA}$    | –       | 3.5     | 4.0     | V             |
| Reverse Current          | $I_R$           | $V_R = 5\text{V}$       | –       | –       | 10      | $\mu\text{A}$ |
| Luminous Intensity       | $I_V$           | $I_F = 20\text{ mA}$    | 1250.0  | 2200.0  | –       | mcd           |
| Peak Emission Wavelength | $\lambda_p$     | $I_F = 20\text{ mA}$    | –       | 505     | –       | nm            |
| Spectral Line Half Width | $\Delta\lambda$ | $I_F = 20\text{ mA}$    | –       | 40      | –       | nm            |
| Dominant Wavelength      | $\lambda_d$     | $I_F = 20\text{ mA}$    | 500     | –       | 510     | nm            |
| Full Viewing Angle       | $2\theta_{1/2}$ | $I_V = 1/2\text{ Peak}$ | –       | 12      | –       | degree        |

### Precaution

Please be careful of the following:

1. Soldering temperature: 260 C max.  
Soldering time: 5 sec. max.  
Soldering portion of lead: up to 1.6 mm from the body of the device
2. The lead can be formed up to 5 mm from the body of the device without forming stress.  
Soldering should be performed after the lead forming.
3. Absolute secure counter measures against static electricity and surge should be taken when handling these products. It is recommended to use wrist band or antistatic gloves when handling these LEDs.

Product specifications contained herein may be changed without prior notice.

It is therefore advisable to contact Purdy Electronics before proceeding with the design of equipment incorporating this product.

