

Number of contacts

6-64



SMC male header with angled solder pins and board lock

Identification	No. of contacts	Part No.					
		Without levers		With short levers		With long levers	
SMC male header with angled solder pins and pcb board lock Length: 2.9 mm for 1.6 mm pcb thickness	6	09 19 506	└ 973*	09 19 506	└ 963*	09 19 506	└ 953*
	10	09 19 510	└ 973*	09 19 510	└ 963*	09 19 510	└ 953*
	14	09 19 514	└ 973*	98 19 514	└ 963*	09 19 514	└ 953*
	16	09 19 516	└ 973*	09 19 516	└ 963*	09 19 516	└ 953*
	20	09 19 520	└ 973*	09 19 520	└ 963*	09 19 520	└ 953*
	26	09 19 526	└ 973*	09 19 526	└ 963*	09 19 526	└ 953*
	34	09 19 534	└ 973*	09 19 534	└ 963*	09 19 534	└ 953*
	40	09 19 540	└ 973*	09 19 540	└ 963*	09 19 540	└ 953*
	50	09 19 550	└ 973*	09 19 550	└ 963*	09 19 550	└ 953*
	60	09 19 560	└ 973*	09 19 560	└ 963*	09 19 560	└ 953*
	64	09 19 564	└ 973*	09 19 564	└ 963*	09 19 564	└ 953*

SMC technology

21
22

To hold the connector on the pcb before the soldering process, two board locks have been added on the male header with angled solder pins.

* Not normally kept in stock
30 contacts on request

For performance level 3 please specify digit 7
For performance level 2 please specify digit 6
> 0.76 µm Au (30 µinch) on request 5



Number of contacts

6-64



SMC male header with angled solder pins and board lock

Identification

Drawing

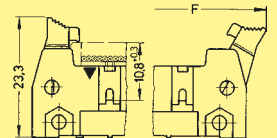
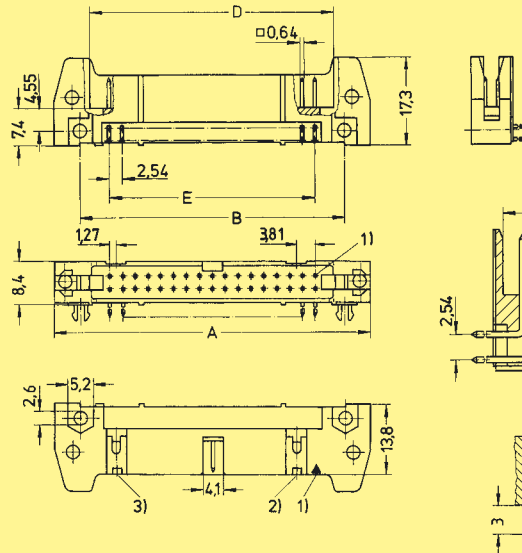
Dimensions in mm

SMC male header

No. of contacts	A	B	D	E	F	G
6	26.9	16.76	12.45	2.54 x 2 = 5.08	36.9	40.3
10	32.0	21.84	17.53	2.54 x 4 = 10.16	42.0	45.4
14	37.1	26.92	22.61	2.54 x 6 = 15.24	47.1	50.4
16	39.6	29.46	25.15	2.54 x 7 = 17.78	49.6	53.0
20	44.7	34.54	30.23	2.54 x 9 = 22.86	54.7	58.1
26	52.3	42.16	37.85	2.54 x 12 = 30.48	62.3	65.7
34	62.5	52.32	48.01	2.54 x 16 = 40.64	72.5	75.8
40	70.1	59.94	55.63	2.54 x 19 = 48.26	80.1	83.5
50	82.8	72.64	68.33	2.54 x 24 = 60.96	92.8	96.2
60	95.5	85.34	81.03	2.54 x 29 = 73.66	105.5	108.9
64	100.6	90.42	86.11	2.54 x 31 = 78.74	110.6	113.9

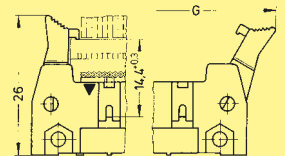
Short levers

for use with female connector without strain relief clamp

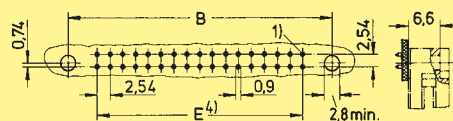


Long levers

for use with female connector with strain relief clamp



Board drillings



For accessories see page 21.26

- 1) Contact number 1
- 2) No polarization slot for 6, 10 or 14 way male header
- 3) No polarization slot for 6 way male header
- 4) Pitch tolerance: ± 0.1

SMC technology