



# Rigid-310

## Extreme Rugged, Intel® Atom™ N270, Fanless Embedded Controller



### Features

- **Wide Operating Temperature (-40 ~ 70° C)**
- **Ultra Low Power and Fanless Design**
- Dual Independent Displays (Analog RGB and DVI Port)
- 1 x Outside Accessible CF Slot
- Wide Range DC Power Input (10~28V)
- Ultra Low Profile Enclosure (33mm Height Max.)
- Rugged Design for Shock/Vibration Protection
- Easy Installation/Maintenance
- Intel® SSD Compatible

### System

<b>CPU</b>	Soldered onboard Intel® Atom™ N270 1.6GHz processor
<b>Memory</b>	Soldered onboard 1GB DDR2 SDRAM
<b>Chipset</b>	Intel® 945GSE + ICH7M
<b>Graphics</b>	Integrated Intel® GMA950 GFx Core in 945GSE GMCH
<b>ATA</b>	1 x Serial ATA port with 150MB/s HDD transfer rate
<b>LAN Chipset</b>	2 x Realtek 8111 GbE controllers
<b>Watchdog Timer</b>	1~255 levels reset

### I/O

<b>Serial Port</b>	1 x RS-232 port with RJ-45 connector 2 x RS-232/422/485 selectable ports with RJ-45 connector
<b>USB Port</b>	6 x USB 2.0 ports
<b>LAN</b>	2 x RJ-45 ports for GbE
<b>Video Port</b>	1 x DB-15 female connector for Analog RGB 1 x DVI-D female connector for Digital Video Output
<b>Audio</b>	Mic-in/Line-in/Line-out (6W pre-amplified)
<b>Expansion Bus</b>	1 x Mini-card slot

### Environmental

<b>Operating Temp.</b>	-40 ~ 70°C (-40 ~ 158°F), ambient w/ air flow
<b>Storage Temp.</b>	-40 ~ 85°C (-40 ~ 185°F)
<b>Operating Humidity</b>	10 ~ 95% @ 70°C (non-condensing)
<b>Vibration</b>	3 Grms/5~500Hz/random operation
<b>Shock</b>	Operating 20G (11ms), Non-operating 60G with HDD Operating 40G (11ms), Non-operating 80G with CF/SSD

### Qualification

**Certification** CE, FCC Class A

### Power Requirement

**Power Input** DC 10~28V input (w/ 2-pin DC input terminal block)

**Power Consumption** Max. 25W (w/o I/O card)

### Storage

<b>Type</b>	1 x 2.5" drive bay for HDD/SSD 1 x CompactFlash Type II socket (outside accessible)
-------------	--

### Mechanical

<b>Construction</b>	Aluminum alloy
<b>Mounting</b>	Wall-mount (default is integrated)/ VESA-mount/ Din rail mounting
<b>Weight</b>	1.89 kg (4.16 lb), w/o storage device
<b>Dimensions (W x D x H)</b>	252 x 199 x 33 mm (9.92" x 7.83" x 1.3")

### OS Support

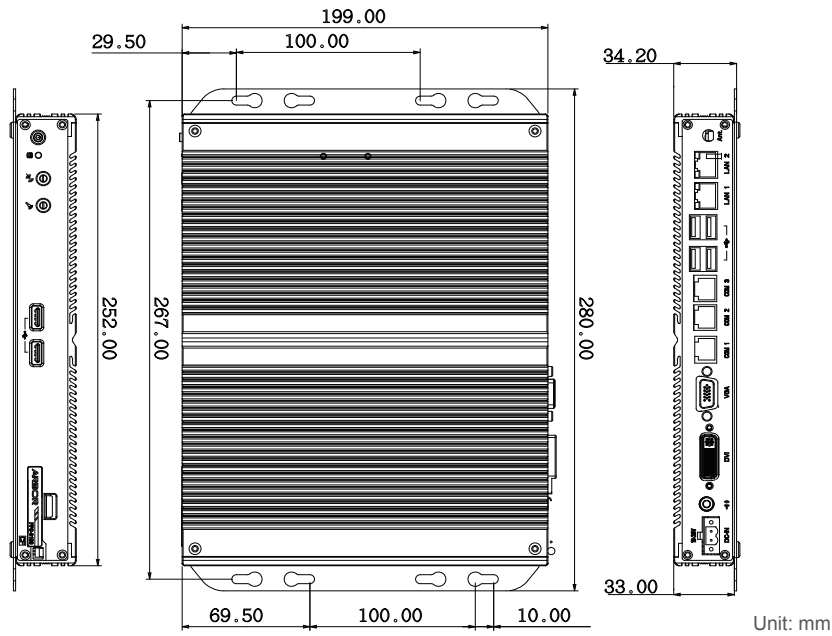
Windows XP Embedded / Windows XP Professional / Windows Embedded 7 Professional / Windows Embedded 7 Standard

### Ordering Information

**Rigid-310** Fanless embedded controller



# Dimensions



## Standard Accessories

**PAC-B065W-1** 19V/3.4A 65W AC/DC adapter kit



**WMK-3100** Wall-mount kit



**CBL-3100-COM** 1 x COM port converter cable



## Optional Accessories

**DRK-001** Din rail kit of FPC series

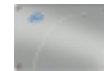


**VMK-3100** VESA mount kit



## Optional Configuration (CTOS\* Kit)

**SSD-25040** Intel® 2.5" 40GB SATAII SSD kit



**WIFI-IN1300** Intel® Centrino® Advanced-N 6205 WiFi module w/ 20cm internal wiring



**ANT-D11** 1 x WiFi Dual-band 2.4G/5G antenna



\*CTOS means Configure to Order Service.

### » Front-access CF for Easy Maintenance



Unscrew and pull down the door



Insert CF card