

# RadTolerant FPGAs

## Features

### General Characteristics

- Tested Total Ionizing Dose (TID) Survivability Level
- No Single Event Latch-Up Below a Minimum LET (Linear Energy Transfer) Threshold of 80 MeV-cm<sup>2</sup>/mg for All RT (RadTolerant) Devices
- Packages: 84-Pin, 132-Pin, 172-Pin, 196-Pin, and 256-Pin Ceramic Quad Flat Pack
- Offered as Class B and E-Flow (Actel Space Level Flow)
- QML Certified Devices
- 100% Military Temperature Tested (-55°C to +125°C)

- Up to 60 MHz System Performance
- Up to 228 User I/Os
- Up to Four Fast, Low-Skew Clock Networks

### High Density and Performance

- 4,000 to 20,000 Logic Equivalent Gates
- 2,000 to 10,000 ASIC Equivalent Gates
- Up to 85 MHz Internal Performance

### Easy Logic Integration

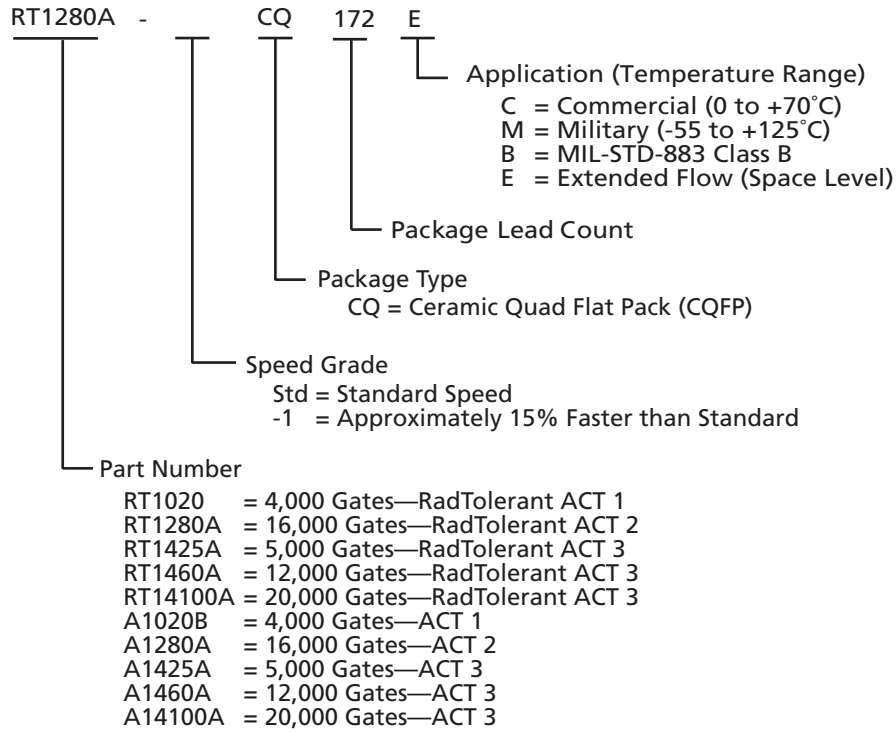
- Nonvolatile, User Programmable
- Pin-Compatible Commercial Devices Available for Prototyping
- Highly Predictable Performance with 100% Automatic Place-and-Route
- 100% Resource Utilization with 100% Pin-Locking
- Secure Programming Technology Prevents Reverse Engineering and Design Theft
- Permanently Programmed for Operation on Power-Up
- Unique In-System Diagnostic and Verification Capability with Silicon Explorer

## Product Family Profile

Table 1 • RadTolerant Family

Device	RT1020	RT1280A	RT1425A	RT1460A	RT14100A
<b>Capacity</b>					
System Gates	6,000	24,000	7,500	18,000	30,000
Logic Gates	4,000	16,000	5,000	12,000	20,000
ASIC Equivalent Gates	2,000	8,000	2,500	6,000	10,000
PLD Equivalent Gates	5,000	20,000	6,250	15,000	25,000
TTL Equivalent Package	50	200	60	150	250
20-Pin PAL Equivalent Packages	20	80	25	60	100
<b>Logic Modules</b>					
S-Modules	547	1,232	310	848	1,377
C-Modules	N/A	624	160	432	697
	547	608	150	416	680
<b>User I/Os (Maximum)</b>					
	69	140	100	168	228
<b>Performance</b>					
System Speed (Maximum)	20 MHz	40 MHz	60 MHz	60 MHz	60 MHz
<b>Packages (by Pin Count)</b>					
CQFP	84	172	132	196	256

## Ordering Information



## Device Resources

FPGA Device Type	Logic Modules	Gate Array Equivalent Gates	User I/Os				
			CQFP 84-Pin	CQFP 132-Pin	CQFP 172-Pin	CQFP 196-Pin	CQFP 256-Pin
RT1020/A1020B	547	2,000	69	–	–	–	–
RT1280A/A1280A	1,232	8,000	–	–	140	–	–
RT1425A/A1425A	310	2,500	–	100	–	–	–
RT1460A/A1460A	848	6,000	–	–	–	168	–
RT14100A/A14100A	1,377	10,000	–	–	–	–	228

**Note:** Package Definition: CQFP = Ceramic Quad Flat Pack

Contact your Actel sales representative for product availability.

## Product Plan

		Speed Grade		Application			
		Std	-1*	Commercial	Military	MIL-STD-883	Extended Flow
<b>ACT 1</b>	<b>RT1020 Device</b>						
	84-Pin Ceramic Quad Flat Pack (CQFP)	✓	–	–	–	✓	✓
	<b>A1020B Device (Prototyping Use)</b>						
	84-Pin Ceramic Quad Flat Pack (CQFP)	✓	✓	✓	✓	✓	–
<b>ACT 2</b>	<b>RT1280A Device</b>						
	172-Pin Ceramic Quad Flat Pack (CQFP)	✓	✓	–	–	✓	✓
	<b>A1280A Device (Prototyping Use)</b>						
	172-Pin Ceramic Quad Flat Pack (CQFP)	✓	✓	✓	✓	✓	–
<b>ACT 3</b>	<b>RT1425A Device</b>						
	132-Pin Ceramic Quad Flat Pack (CQFP)	✓	✓	–	–	✓	✓
	<b>A1425A Device (Prototyping Use)</b>						
	132-Pin Ceramic Quad Flat Pack (CQFP)	✓	✓	✓	✓	✓	–
	<b>RT1460A Device</b>						
	196-Pin Ceramic Quad Flat Pack (CQFP)	✓	✓	–	–	✓	✓
	<b>A1460A Device (Prototyping Use)</b>						
	196-Pin Ceramic Quad Flat Pack (CQFP)	✓	✓	✓	✓	✓	–
	<b>RT14100A Device</b>						
	256-Pin Ceramic Quad Flat Pack (CQFP)	✓	✓	–	–	✓	✓
<b>A14100A Device (Prototyping Use)</b>							
	256-Pin Ceramic Quad Flat Pack (CQFP)	✓	✓	✓	✓	✓	–

**Note:** Contact your Actel sales representative for product availability. Availability: ✓ = Available, – Symbol = Not Planned

\* Speed Grade: –1 = Approx. 15% faster than Standard

---

# Table of Contents

---

## RadTolerant FPGAs

General Description .....	1-1
Radiation Survivability .....	1-1
QML Certification .....	1-2
Disclaimer .....	1-2
Development Tool Support .....	1-2
RadTolerant Architecture .....	1-2
Logic Modules .....	1-2
The RT1020 Logic Module .....	1-4
Absolute Maximum Ratings .....	1-7
Package Thermal Characteristics .....	1-8
Power Dissipation .....	1-8
Parameter Measurement .....	1-14
Sequential Timing Characteristics .....	1-15
RT1020, A1020B Timing Characteristics .....	1-17
RT1280A, A1280A Timing Characteristics .....	1-19
RT1425A, A1425A Timing Characteristics .....	1-22
RT1460A, A1460A Timing Characteristics .....	1-25
RT14100A, A14100A Timing Characteristics .....	1-28
Pin Descriptions .....	1-31

## Package Pin Assignments

84-Pin CQFP .....	2-1
132-Pin CQFP .....	2-3
172-Pin CQFP .....	2-6
196-Pin CQFP .....	2-9
256-Pin CQFP .....	2-12

## Datasheet Information

List of Changes .....	3-1
Datasheet Categories .....	3-1
Export Administration Regulations (EAR) or International Traffic in Arms Regulations (ITAR) .....	3-1

# RadTolerant FPGAs

## General Description

Actel builds the most reliable field programmable gate arrays (FPGAs) in the industry, with overall antifuse reliability ratings of less than 10 failures-in-time (FITs), corresponding to a useful life of more than 40 years. Actel FPGAs are production-proven, with more than five million devices shipped and more than one trillion antifuses manufactured. Actel devices are fully tested prior to shipment, with an outgoing defect level of only 122 ppm (further reliability data is available in the [Actel Device Reliability Report](#)).

Additionally, the programmable architecture of these devices offers high performance, design flexibility, and fast and inexpensive prototyping—all without the expense of test vectors, NRE charges, long lead times, and schedule and cost penalties for design refinements.

## Device Description

The RT1020 device contains the same architecture as the A1020, A1020A, and A1020B devices. The architecture, a combinatorial logic module, is a logic structure with 8 inputs and 1 output. The logic itself is comprised of a 4-input MUX, as described in [Figure 1-3 on page 1-4](#). In addition, since the RT1020 device contains the same number of gates and I/Os and has the same operating voltage as its commercial equivalent (A1020B), an inexpensive commercial grade A1020B-CQ84 device can be used during the prototype phase, and replaced by the RT1020 in the flight units.

The RT1280A device uses the A1280A die from the ACT 2 family of FPGAs. It utilizes a two-module architecture, consisting of combinatorial modules (C-modules) and sequential modules (S-modules) optimized for both combinatorial and sequential designs. Based on Actel's patented channeled array architecture, the RT1280A has 8,000 ASIC-equivalent gates and 140 user I/Os.

The RT1280A device is fully pin- and function-compatible with the commercially-equivalent A1280A-CQ172C device for easy, inexpensive prototyping.

The RT1425A, RT1460A and RT14100A devices use the A1425A, A1460A and A14100A dies, respectively. These devices are derived from the ACT 3 family of FPGAs, which also utilizes the two-module channeled array architecture, and offers faster performance than the RT1280A.

These devices also have fully pin- and function-compatible commercially-equivalent devices for easy and inexpensive prototyping. The A1425A-CQ132C is used for the RT1425A, the A1460A-CQ196C is used for the RT1460A, and the A14100A-CQ256C is used for the RT14100A.

## Radiation Survivability

Total dose results are summarized in two ways. The first method summarizes by the maximum total dose level that is reached when the parts fail to meet a device specification but remain functional. For Actel FPGAs, the parameter that exceeds the specification first is the standby supply current ( $I_{CC}$ ). The second method summarizes by the maximum total dose that is reached prior to the functional failure of the device.

The Actel RT devices have varying total-dose radiation survivability. The ability of these devices to survive radiation effects is both device- and lot-dependent. The user must evaluate and determine the applicability of these devices for specific design and environmental requirements.

Typical results for the RT1020 device are ~100krads (Si) for standby  $I_{CC}$  and >100krads for functional failure. The RT1280A device has results from 4 to 10krads (Si) for standby  $I_{CC}$ , and 7 to 18krads for functional failure. Typical results for ACT 3 devices are 10 to 28krads for  $I_{CC}$ , and 20 to 77krads for functional failure.

Actel will provide total dose radiation testing along with the test data on each pedigreed lot that is available for sale. These reports are available on our website, or you can contact your local sales representative to receive a copy. A listing of available lots and devices is also provided. These results are provided only for reference and for customer information.

For a radiation performance summary, see [Radiation Performance of Actel Products](#) on the Actel Website. This summary also shows single event upset (SEU) and single event latch-up (SEL) testing that has been performed on Actel FPGAs.

## QML Certification

Actel has achieved full QML certification, demonstrating that quality management, procedures, processes, and controls are in place and comply with MIL-PRF-38535, the performance specification used by the Department of Defense for monolithic integrated circuits. QML certification is an example of Actel's commitment to supplying the highest quality products for all types of high-reliability, military and space applications.

Many suppliers of microelectronics components have implemented QML as their primary worldwide business system. Appropriate use of this system not only helps in the implementation of advanced technologies, but also allows for quality, reliable and cost-effective logistics support throughout the QML products life cycles.

## Disclaimer

All radiation performance information is provided for information purposes only and is not guaranteed. The total dose effects are lot-dependent, and Actel does not guarantee that future devices will continue to exhibit similar radiation characteristics. In addition, actual performance can vary widely due to a variety of factors, including but not limited to characteristics of the orbit, radiation environment, proximity to satellite exterior, amount of inherent shielding from other sources within the satellite, and actual bare die variations. For these reasons, Actel does not guarantee any level of radiation survivability, and it is solely the responsibility of the customer to determine whether the device will meet the requirements of the specific design.

## Development Tool Support

The HiRel devices are fully supported by both the Actel Libero™ Integrated Design Environment (IDE) and Designer FPGA Development software. Actel Libero IDE is a design management environment, seamlessly integrating design tools while guiding the user through the design flow, managing all design and log files, and passing necessary design data among tools. Libero IDE allows users to integrate both schematic and HDL synthesis into a single flow and verify the entire design in a single environment. Libero IDE includes Synplify® for Actel from Synplicity®, ViewDraw® for Actel from Mentor Graphics, ModelSim® HDL Simulator from Mentor Graphics®, WaveFormer Lite™ from SynaptiCAD™, and Designer software from Actel. Refer to the *Libero IDE flow* diagram for more information.

Actel's Designer software is a place-and-route tool and provides a comprehensive suite of backend support tools for FPGA development. The Designer software includes timing-driven place-and-route, and a world-class integrated static timing analyzer and constraints editor. With the Designer software, a user can select and lock package pins while only minimally impacting the results of place-and-route. Additionally, the back-annotation flow is compatible with all the major simulators and the simulation results can be cross-probed with Silicon Explorer II, Actel's integrated verification and logic analysis tool. Another tool included in the Designer software is the ACTgen macro builder, which easily creates popular and commonly used logic functions for implementation into your schematic or HDL design. Actel's Designer software is compatible with the most popular FPGA design entry and verification tools from companies such as Mentor Graphics, Synplicity, Synopsys, and Cadence Design Systems. The Designer software is available for both the Windows and UNIX operating systems.

## RadTolerant Architecture

The Actel architecture is composed of fine-grained logic modules that produce fast, efficient logic designs. All devices are composed of logic modules, routing resources, clock networks, and I/O modules, which are the building blocks for fast logic designs.

## Logic Modules

These RadTolerant devices contain two types of logic modules, combinatorial (C-modules) and sequential (S-modules). RT1020 and A1020B devices contain only C-modules.

The C-module, shown in Figure 1-1, implements EQ 1-1:

$$Y = !S1 * !S0 * D00 + !S1 * S0 * D01 + S1 * !S0 * D10 + S1 * S0 * D11$$

EQ 1-1

where:

$$S0 = A0 * B0$$

$$S1 = A1 + B1$$

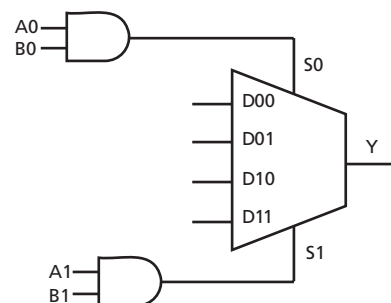


Figure 1-1 • C-Module Implementation

The S-module, shown in [Figure 1-2](#), is designed to implement high-speed sequential functions within a single logic module. The S-module implements the same combinatorial logic function as the C-module while adding a sequential element. The sequential element can be configured as either a D-type flip-flop or a transparent latch. To increase flexibility, the S-module register can be bypassed so it implements purely combinatorial logic.

Flip-flops can also be created using two C-modules. The SEU characteristics differ between an S-module flip-flop and a flip-flop created using two C-modules. For details see the [Design Techniques for RadHard Field Programmable Gate Arrays](#) application note.

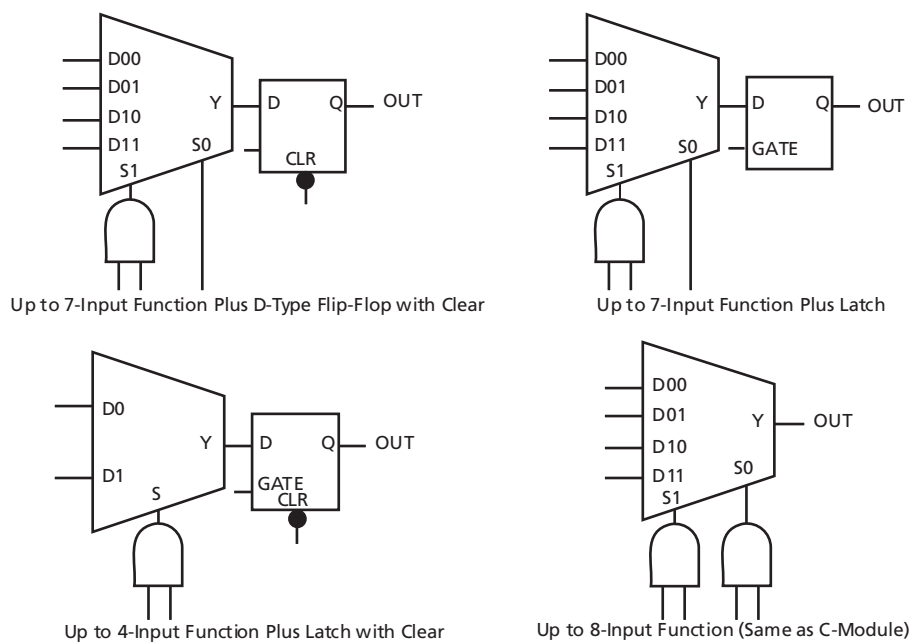


Figure 1-2 • S-Module Implementation

## The RT1020 Logic Module

The RT1020 logic module is an 8-input, 1-output logic circuit chosen for the wide range of functions it implements and for its efficient use of interconnect routing resources (Figure 1-3).

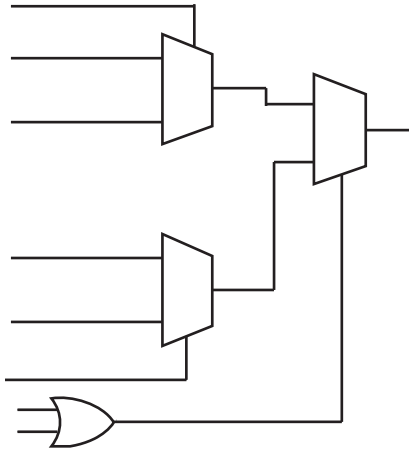


Figure 1-3 • RT1020 Logic Module

The logic module can implement the four basic logic functions (NAND, AND, OR, and NOR) in gates of two, three, or four inputs. Each function may have many versions, with different combinations of active low inputs. The logic module can also implement a variety of D-latches, exclusivity functions, AND-ORs, and OR-ANDs. No dedicated hardwired latches or flip-flops are required in the array, since latches and flip-flops may be constructed from logic modules wherever needed in the application.

### I/O Modules

I/O modules provide the interface between the device pins and the logic array. A variety of user functions, determined by a library macro selection, can be implemented in the module (refer to the *Macro Library Guide* for more information). I/O modules contain a tristate buffer, and input and output latches that can be configured for input, output, or bidirectional pins (Figure 1-4).

The RadTolerant devices contain flexible I/O structures in that each output pin has a dedicated output enable control. The I/O module can be used to latch input and/or output data, providing a fast setup time. In addition, the Actel Designer software tools can build a D-flip-flop, using a C-module, to register input and/or output signals.

The Actel Designer software development tools provide a design library of I/O macros. The I/O macro library provides macro functions that can implement all I/O configurations supported by the RadTolerant FPGAs.

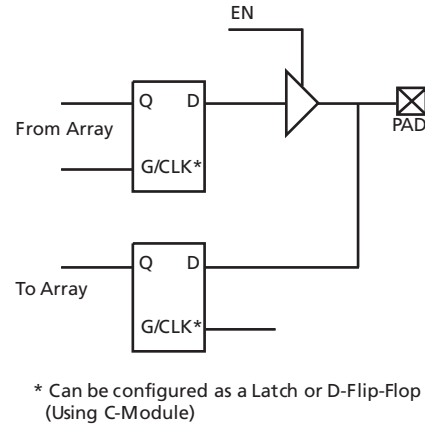


Figure 1-4 • I/O Module

### Routing Structure

The RadTolerant device architecture uses vertical and horizontal routing tracks to interconnect the various logic and I/O modules. These routing tracks are metal interconnects that may either be of continuous length or broken into segments. Varying segment lengths allow over 90% of the circuit interconnects to be made with only two antifuse connections. Segments can be joined together at the ends, using antifuses to increase their length up to the full length of the track. All interconnects can be accomplished with a maximum of four antifuses.

### Horizontal Routing

Horizontal channels are located between the rows of modules, and are composed of several routing tracks. The horizontal routing tracks within the channel are divided into one or more segments. The minimum horizontal segment length is the width of a module-pair, and the maximum horizontal segment length is the full length of the channel. Any segment that spans more than one-third the row length is considered a long horizontal segment. A typical channel is shown in Figure 1-5 on page 1-5. Non-dedicated horizontal routing tracks are used to route signal nets. Dedicated routing tracks are used for the global clock networks, and for power and ground tie-off tracks.

### Vertical Routing

Another set of routing tracks runs vertically through the module. There are three types of vertical tracks that can be divided into one or more segments: input, output, and long. Each segment in an input track is dedicated to the input of a particular module. Each segment in an



output track is dedicated to the output of a particular module. Long segments are uncommitted and can be assigned during routing. Each output segment spans four channels (two above and two below), except near the top and bottom of the array where edge effects occur. Long vertical tracks contain either one or two segments. An example of vertical routing tracks and segments is shown in Figure 1-5.

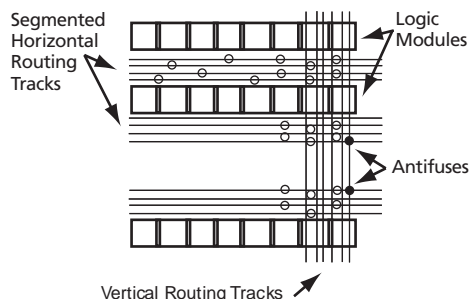


Figure 1-5 • Routing Structure

## Antifuse Structures

An antifuse is a "normally open" structure as opposed to the normally closed fuse structure used in PROMs (programmable read-only memory) or PALs (programmed array logic). The use of antifuses to implement a PLD (programmable logic device) results in highly testable structures, as well as efficient programming algorithms. The structure is highly testable because there are no pre-existing connections, enabling temporary connections to be made using pass transistors. These temporary connections can isolate individual antifuses to be programmed, and also isolate individual circuit structures to be tested. This can be done both before and after programming. For example, all metal tracks can be tested for continuity and shorts between adjacent tracks, and the functionality of all logic modules can be verified.

Table 1-1 • Actel MIL-STD-883 Product Flow

Step	Screen	883 Method	883 - Class B Requirement
1.	Internal Visual	2010, Test Condition B	100%
2.	Temperature Cycling	1010, Test Condition C	100%
3.	Constant Acceleration	2001, Test Condition D or E, Y <sub>1</sub> , Orientation Only	100%
4.	Seal a. Fine b. Gross	1014	100% 100%
5.	Visual Inspection	2009	100%
6.	Pre-Burn-In Electrical Parameters	In accordance with applicable Actel device specification	100%
7.	Burn-in Test	1015, Condition D, 160 hours @ 125°C or 80 hours @ 150°C	100%
8.	Interim (Post-Burn-In) Electrical Parameters	In accordance with applicable Actel device specification	100%
9.	Percent Defective Allowable	5%	All Lots
10.	Final Electrical Test  a. Static Tests (1) 25°C (Subgroup 1, Table I) (2) -55°C and +125°C (Subgroups 2, 3, Table I)  b. Functional Tests (1) 25°C (Subgroup 7, Table I) (2) -55°C and +125°C (Subgroups 8A and 8B, Table I)  c. Switching Tests at 25°C (Subgroup 9, Table I)	In accordance with applicable Actel device specification, which includes a, b, and c:  5005 5005  5005 5005  5005	100%  100%  100%
11.	External Visual	2009	100%

**Note:** When Destructive Physical Analysis (DPA) is performed on Class B devices, the step coverage requirement as specified in Method 2018 must be waived.

Table 1-2 • Actel Extended Flow<sup>1</sup>

Step	Screen	Method	Requirement
1.	Wafer Lot Acceptance <sup>2</sup>	5007 with Step Coverage Waiver	All Lots
2.	Destructive In-Line Bond Pull <sup>3</sup>	2011, Condition D	Sample
3.	Internal Visual	2010, Condition A	100%
4.	Serialization		100%
5.	Temperature Cycling	1010, Condition C	100%
6.	Constant Acceleration	2001, Condition D or E, Y <sub>1</sub> Orientation Only	100%
7.	Particle Impact Noise Detection	2020, Condition A	100%
8.	Radiographic	2012	100%
9.	Pre-Burn-In Test	In accordance with applicable Actel device specification	100%
10.	Burn-in Test	1015, Condition D, 240 hours @ 125°C minimum	100%
11.	Interim (Post-Burn-In) Electrical Parameters	In accordance with applicable Actel device specification	100%
12.	Reverse Bias Burn-In	1015, Condition C, 72 hours @ 150°C minimum	100%
13.	Interim (Post-Burn-In) Electrical Parameters	In accordance with applicable Actel device specification	100%
14.	Percent Defective Allowable (PDA) Calculation	5%, 3% Functional Parameters @ 25°C	All Lots
15.	Final Electrical Test	In accordance with Actel applicable device specification, which includes a, b, and c:	100%
	a. Static Tests		100%
	(1) 25°C (Subgroup 1, Table 1)	5005	
	(2) -55°C and +125°C (Subgroups 2, 3, Table 1)	5005	
	b. Functional Tests		100%
	(1) 25°C (Subgroup 7, Table 15)	5005	
	(2) -55°C and +125°C (Subgroups 8A and B, Table 1)	5005	
	c. Switching Tests at 25°C (Subgroup 9, Table 1)	5005	100%
16.	Seal	1014	100%
	a. Fine		
	b. Gross		
17.	External Visual	2009	100%

**Notes:**

1. Actel offers the extended flow for customers that require additional screening beyond the requirements of MIL-STD-883, Class B. Actel is compliant to the requirements of MIL-STD-883, Paragraph 1.2.1, and MIL-I-38535, Appendix A. Actel is offering this extended flow incorporating the majority of the screening procedures as outlined in Method 5004 of MIL-STD-883 Class S. The exceptions to Method 5004 are shown in notes 2 and 3 below.
2. Wafer lot acceptance is performed to Method 5007; however, the step coverage requirement as specified in Method 2018 must be waived.
3. Method 5004 requires a 100 percent, non-destructive bond pull (Method 2023). Actel substitutes a destructive bond pull (Method 2011), Condition D on a sample basis only.

## Absolute Maximum Ratings

Stresses beyond those listed in this table may cause permanent damage to the device. Exposure to absolute maximum rated conditions for extended periods may affect device reliability. Devices should not be operated outside the recommended operating conditions.

Table 1-3 • Free Air Temperature Range

Symbol	Parameter	Limits	Units
$V_{CC}$	DC Supply Voltage <sup>1, 2, 3</sup>	-0.5 to +7.0	V
$V_I$	Input Voltage	-0.5 to $V_{CC} + 0.5$	V
$V_O$	Output Voltage	-0.5 to $V_{CC} + 0.5$	V
$I_{IO}$	I/O Source Sink Current <sup>4</sup>	$\pm 20$	mA
$T_{STG}$	Storage Temperature	-65 to +150	°C

**Notes:**

- $V_{PP} = V_{CC}$ , except during device programming
- $V_{SV} = V_{CC}$ , except during device programming
- $V_{KS} = GND$ , except during device programming
- Device inputs are normally high impedance and draw extremely low current. However, when input voltage is greater than  $V_{CC} + 0.5$  V or less than  $GND - 0.5$  V, the internal protection diode will be forward-biased and can draw excessive current.

Table 1-4 • Recommended Operating Conditions

Parameter	Commercial	Military	Units
Temperature Range <sup>1</sup>	0 to +70	-55 to +125	°C
Power Supply Tolerance <sup>2</sup>	$\pm 5$	$\pm 10$	% $V_{CC}$

**Notes:**

- Ambient temperature ( $T_A$ ) is used for commercial and industrial; case temperature ( $T_C$ ) is used for military
- All power supplies must be in the recommended operating range. For more information, refer to the [Power-Up and Power-Down Behavior of 54SX and RT54SX Devices application note](#).

Table 1-5 • Electrical Specifications

Symbol	Parameter	Test Condition	Commercial		Military		Units
			Min.	Max.	Min.	Max.	
$V_{OH}^{1, 2}$	HIGH Level Output	$I_{OH} = -4$ mA (CMOS)			3.7		V
		$I_{OH} = -6$ mA (CMOS)	3.84				V
$V_{OL}^{1, 2}$	LOW Level Output	$I_{OL} = +6$ mA (CMOS)		0.33		0.4	V
$V_{IH}$	HIGH Level Input	TTL Inputs	2.0	$V_{CC} + 0.3$	2.0	$V_{CC} + 0.3$	V
$V_{IL}$	LOW Level Input	TTL Inputs	-0.3	0.8	-0.3	0.8	V
$I_{IN}$	Input Leakage	$V_I = V_{CC}$ or GND	-10	+10	-10	+10	$\mu$ A
$I_{OZ}$	3-State Output Leakage	$V_O = V_{CC}$ or GND	-10	+10	-10	+10	$\mu$ A
$C_{IO}$	I/O Capacitance <sup>3, 4</sup>			10		10	pF
$I_{CC(S)}$	Standby $V_{CC}$ Supply Current	$V_I = V_{CC}$ or GND, $I_O = 0$ mA		2		20	mA
$I_{CC(D)}$	Dynamic $V_{CC}$ Supply Current	See "Power Dissipation" on page 1-8.					

**Notes:**

- Actel devices can drive and receive either CMOS or TTL signal levels. No assignment of I/Os as TTL or CMOS is required.
- Tested one output at a time,  $V_{CC} = \text{min}$ .
- Not tested; for information only
- $V_{OUT} = 0$ V,  $f = 1$  MHz

## Package Thermal Characteristics

The device junction to case thermal characteristic is  $\theta_{jc}$  and the junction to ambient air characteristic is  $\theta_{ja}$ . The thermal characteristics for  $\theta_{ja}$  are shown with two different air flow rates.

Maximum junction temperature is 150°C.

A sample calculation of the absolute maximum power dissipation allowed for a CQFP 172-pin package at military temperature is as follows:

$$\frac{\text{Max. junction temp. (°C)} - \text{Max. military temp.}}{\theta_{ja} (\text{°C/W})} = \frac{150\text{°C} - 125\text{°C}}{25\text{°C/W}} = 1.0\text{W}$$

EQ 1-2

Table 1-6 • Package Thermal Characteristics

Package Type	Pin Count	$\theta_{jc}$	$\theta_{ja}$ Still Air	$\theta_{ja}$ 300 ft./min.	Units
Ceramic Quad Flat Pack	8	7.8	40	30	°C/W
	132	7.2	35	25	°C/W
	172	6.8	25	20	°C/W
	196	6.4	23	15	°C/W
	256	6.2	20	10	°C/W

## Power Dissipation

### General Power Equation

$$P = [I_{CC\text{standby}} + I_{CC\text{active}}] * V_{CC} + I_{OL} * V_{OL} * N + I_{OH} * (V_{CC} - V_{OH}) * M$$

EQ 1-3

where:

- $I_{CC\text{standby}}$  is the current flowing when no inputs or outputs are changing.
- $I_{CC\text{active}}$  is the current flowing due to CMOS switching.
- $I_{OL}$ ,  $I_{OH}$  are TTL sink/source currents.
- $V_{OL}$ ,  $V_{OH}$  are TTL level output voltages.
- N equals the number of outputs driving TTL loads to  $V_{OL}$ .
- M equals the number of outputs driving TTL loads to  $V_{OH}$ .

Accurate values for N and M are difficult to determine because they depend on the family type, on design details, and on the system I/O. The power can be divided into two components: static and active.

### Static Power Component

Actel FPGAs have small static power components that result in power dissipation lower than that of PALs or PLDs. By integrating multiple PALs or PLDs into one FPGA, an even greater reduction in board-level power dissipation can be achieved.

The power due to standby current is typically a small component of the overall power. Standby power is calculated below for commercial, worst-case conditions.

$I_{CC}$	$V_{CC}$	Power
2 mA	5.25 V	10.5 mW

The static power dissipated by TTL loads depends on the number of outputs driving HIGH or LOW and on the DC load current. Again, this value is typically small. For instance, a 32-bit bus sinking 4 mA at 0.33 V will generate 42 mW with all outputs driving LOW, and 140 mW with all outputs driving HIGH.

## Active Power Component

Power dissipation in CMOS devices is usually dominated by the active (dynamic) power dissipation. This component is frequency-dependent, a function of the logic and the external I/O. Active power dissipation results from charging internal chip capacitances of the interconnect, unprogrammed antifuses, module inputs, and module outputs, plus external capacitance due to PC board traces and load device inputs. An additional component of the active power dissipation is the totem pole current in CMOS transistor pairs. The net effect can be associated with an equivalent capacitance that can be combined with frequency and voltage to represent active power dissipation.

## Equivalent Capacitance

The power dissipated by a CMOS circuit can be expressed by EQ 1-4:

$$\text{Power (uW)} = C_{EQ} * V_{CC}^2 * F$$

EQ 1-4

where:

$C_{EQ}$  = Equivalent capacitance in pF

$V_{CC}$  = Power supply in volts (V)

$F$  = Switching frequency in MHz

Equivalent capacitance is calculated by measuring  $I_{CC}$  active at a specified frequency and voltage for each circuit component of interest. Measurements are made over a range of frequencies at a fixed value of  $V_{CC}$ . Equivalent capacitance is frequency-independent, so the results can be used over a wide range of operating conditions. Equivalent capacitance values are shown in Table 1-7.

Table 1-7 • CEQ Values for Actel FPGAs

	<b>RT1020, A1020B</b>	<b>RT1280A, A1280A</b>	<b>RT1425A, A1425A, RT1460A, A1460A, RT14100A, A14100A</b>
Modules ( $C_{EQM}$ )	3.7	5.8	6.7
Input Buffers ( $C_{EQI}$ )	22.1	12.9	7.2
Output Buffers ( $C_{EQO}$ )	32.1	23.8	10.4
Routed Array Clock Buffer Loads ( $C_{EQCR}$ )	4.6	3.9	1.6
Dedicated Clock Buffer Loads ( $C_{EQCD}$ )	n/a	n/a	0.7
I/O Clock Buffer Loads ( $C_{EQCI}$ )	n/a	n/a	0.9

To calculate the active power dissipated from the complete design, the switching frequency of each part of the logic must be known. EQ 1-5 shows a piece-wise linear summation over all components. Since the RT1280A and A1280A have two routed array clocks, the dedicated\_Clk and IO\_Clk terms do not apply. For all other devices all terms apply.

$$\text{Power} = V_{CC}^2 * [(m * C_{EQM} * f_m)_{\text{modules}} + (n * C_{EQI} * f_n)_{\text{inputs}} + (p * (C_{EQO} + C_L) * f_p)_{\text{outputs}} + 0.5 * (q_1 * C_{EQCR} * f_{q1})_{\text{routed\_Clk1}} + (r_1 * f_{q1})_{\text{routed\_Clk1}} + 0.5 * (q_2 * C_{EQCR} * f_{q2})_{\text{routed\_Clk2}} + (r_2 * f_{q2})_{\text{routed\_Clk2}} + 0.5 * (s_1 * C_{EQCD} * f_{s1})_{\text{dedicated\_Clk}} + (s_2 * C_{EQCI} * f_{s2})_{\text{IO\_Clk}}]$$

EQ 1-5

where:

- m = Number of logic modules switching at  $f_m$
- n = Number of input buffers switching at  $f_n$
- p = Number of output buffers switching at  $f_p$
- $q_1$  = Number of clock loads on the first routed array clock
- $q_2$  = Number of clock loads on the second routed array clock (not applicable for RT1020 or A1020B)
- $r_1$  = Fixed capacitance due to first routed array clock
- $r_2$  = Fixed capacitance due to second routed array clock (not applicable for RT1020 or A1020B)
- $s_1$  = Fixed number of clock loads on the dedicated array clock (not applicable for RT1020, A1020B, RT1280A, or A1280A)
- $s_2$  = Fixed number of clock loads on the dedicated I/O clock (not applicable for RT1020, A1020B, RT1280A, or A1280A)
- $C_{EQM}$  = Equivalent capacitance of logic modules in pF
- $C_{EQI}$  = Equivalent capacitance of input buffers in pF
- $C_{EQO}$  = Equivalent capacitance of output buffers in pF
- $C_{EQCR}$  = Equivalent capacitance of routed array clock in pF
- $C_{EQCD}$  = Equivalent capacitance of dedicated array clock in pF
- $C_{EQCI}$  = Equivalent capacitance of dedicated I/O clock in pF
- $C_L$  = Output lead capacitance in pF
- $f_m$  = Average logic module switching rate in MHz
- $f_n$  = Average input buffer switching rate in MHz
- $f_p$  = Average output buffer switching rate in MHz
- $f_{q1}$  = Average first routed array clock rate in MHz
- $f_{q2}$  = Average second routed array clock rate in MHz (not applicable for RT1020 or A1020B)
- $f_{s1}$  = Average dedicated array clock rate in MHz (not applicable for RT1020, A1020B, RT1280A, or A1280A)
- $f_{s2}$  = Average dedicated I/O clock rate in MHz (not applicable for RT1020, A1020B, RT1280A, or A1280A)

Table 1-8 • Fixed Capacitance Values for Actel FPGAs (pF)

Device Type	$r_1$ routed_Clk1	$r_2$ routed_Clk2
RT1020, A1020B	69	n/a
RT1280A, A1280A	168	168
RT1425A, A1425A	75	75
RT1460A, A1460A	165	165
RT14100A, A14100A	195	195

Table 1-9 • Fixed Clock Loads ( $s_1/s_2$  – ACT 3 Only)

Device Type	$s_1$ Clock Loads on Dedicated Array Clock	$s_2$ Clock Loads on Dedicated I/O Clock
RT1425A, A1425A	160	100
RT1460A, A1460A	432	168
RT14100A, A14100A	697	228

## Determining Average Switching Frequency

To determine the switching frequency for a design, you must have a detailed understanding of the data input values to the circuit. The guidelines below are meant to represent worst-case scenarios; they can be generally used to predict the upper limits of power dissipation.

### RT1020, A1020B, RT1280A, A1280A

Logic Modules (m)	=	80% of Combinatorial Modules
Input Switching (n)	=	# Inputs/4
Outputs Switching (p)	=	# Outputs/4
First Routed Array Clock Loads ( $q_1$ )	=	40% of Sequential Modules
Second Routed Array Clock Loads ( $q_2$ )	=	40% of Sequential Modules
Load Capacitance ( $C_L$ )	=	35 pF
Average Logic Module Switching Rate ( $f_m$ )	=	F/10
Average Input Switching Rate ( $f_n$ )	=	F/5
Average Output Switching Rate ( $f_p$ )	=	F/10
Average First Routed Array Clock Rate ( $f_{q1}$ )	=	F
Average Second Routed Array Clock Rate ( $f_{q2}$ )	=	F/2
Average Dedicated Array Clock Rate ( $f_{s1}$ )	=	n/a
Average Dedicated I/O Clock Rate ( $f_{s2}$ )	=	n/a

### RT1425A, A1425A, RT1460A, A1460A, RT14100A, A14100A

Logic Modules (m)	=	80% of Combinatorial Modules
Input Switching (n)	=	# Inputs/4
Outputs Switching (p)	=	# Outputs/4
First Routed Array Clock Loads ( $q_1$ )	=	40% of Sequential Modules
Second Routed Array Clock Loads ( $q_2$ )	=	40% of Sequential Modules
Load Capacitance ( $C_L$ )	=	35 pF
Average Logic Module Switching Rate ( $f_m$ )	=	F/10
Average Input Switching Rate ( $f_n$ )	=	F/5
Average Output Switching Rate ( $f_p$ )	=	F/10
Average First Routed Array Clock Rate ( $f_{q1}$ )	=	F/2
Average Second Routed Array Clock Rate ( $f_{q2}$ )	=	F/2
Average Dedicated Array Clock Rate ( $f_{s1}$ )	=	F
Average Dedicated I/O Clock Rate ( $f_{s2}$ )	=	F

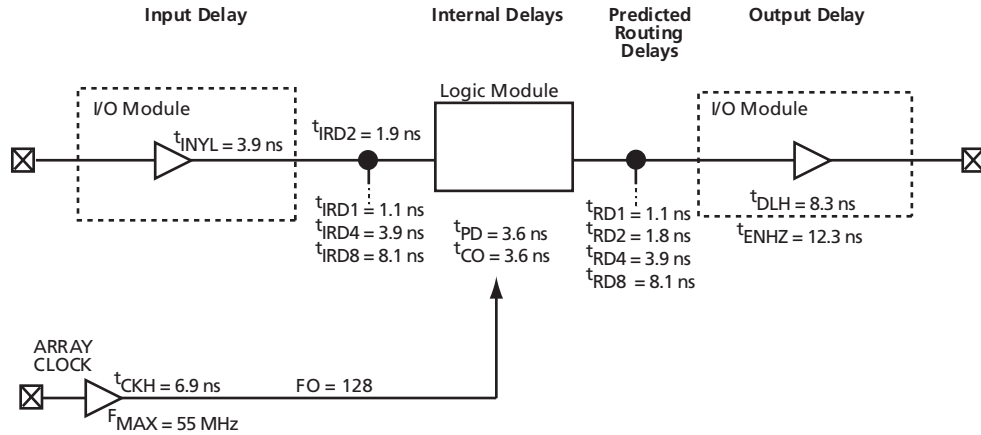
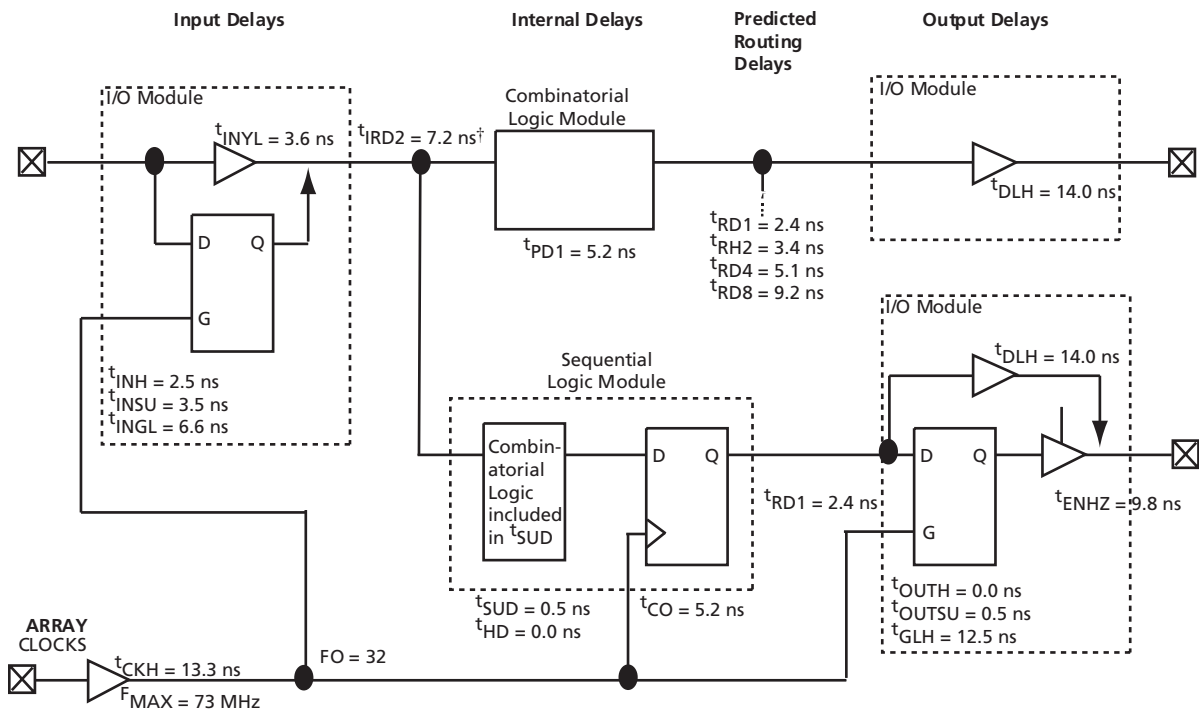


Figure 1-6 • RT1020, A1020B Timing Model

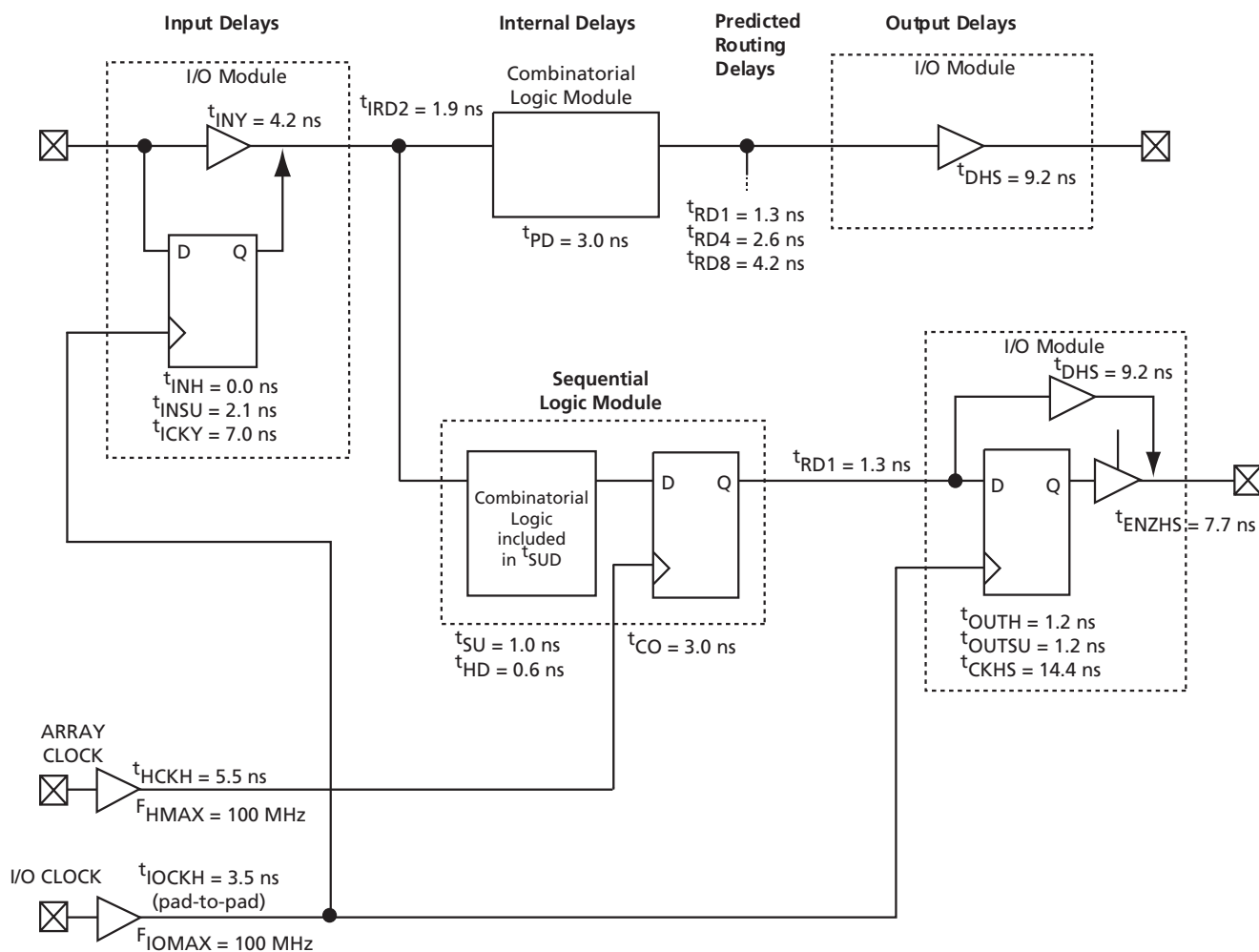


**Notes:**

- \*Values shown for RT1280A-1 at worst-case military conditions.
- $t$  Input module predicted routing delay

Figure 1-7 • RT1280A, A1280A Timing Model\*





**Note:** \*Values shown for RT14100A-1 at worst-case military conditions.

Figure 1-8 • RT1425A, A1425A, RT1460A, A1460A, RT14100A, A14100A Timing Model\*

# Parameter Measurement

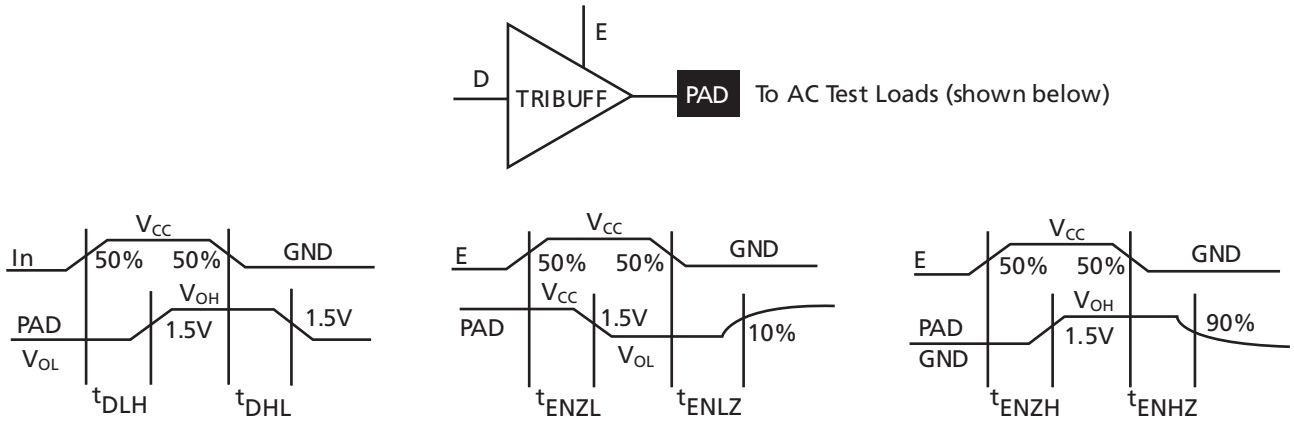


Figure 1-9 • Output Buffer Delays

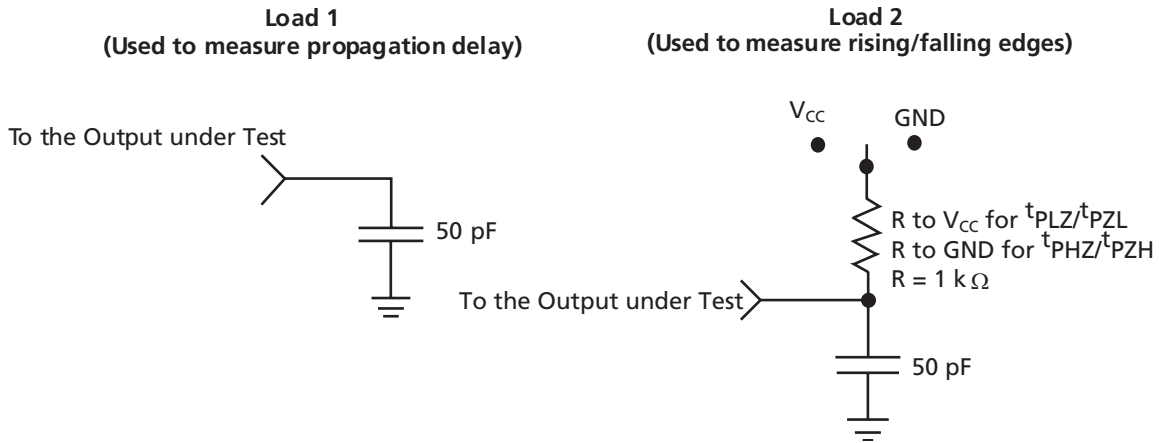


Figure 1-10 • AC Test Load

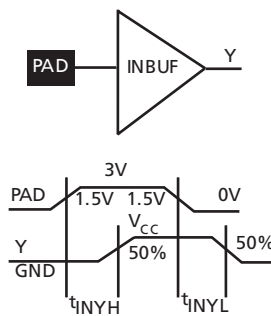


Figure 1-11 • Input Buffer Delays

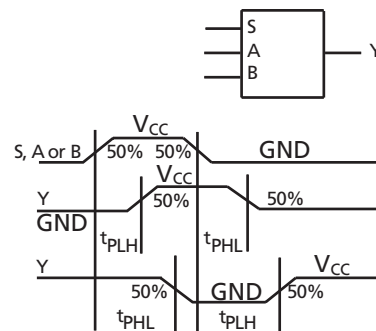
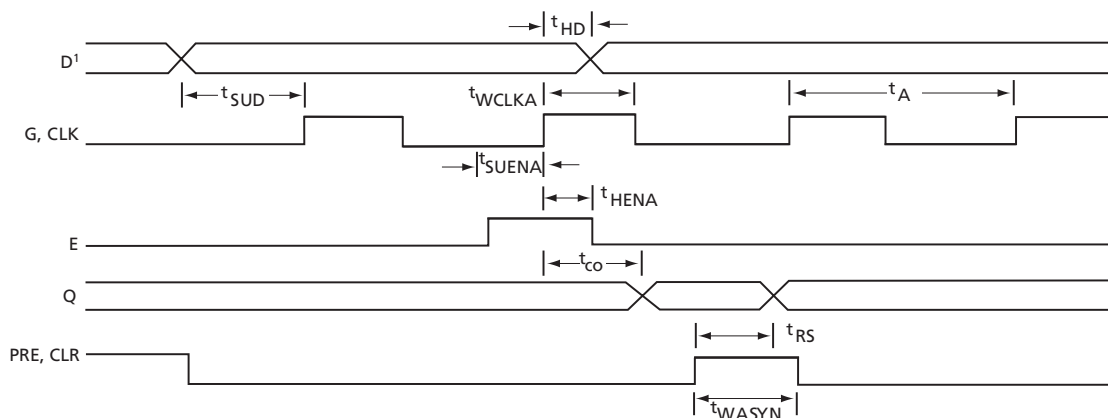
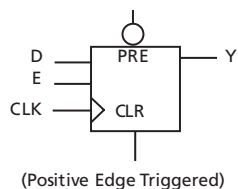


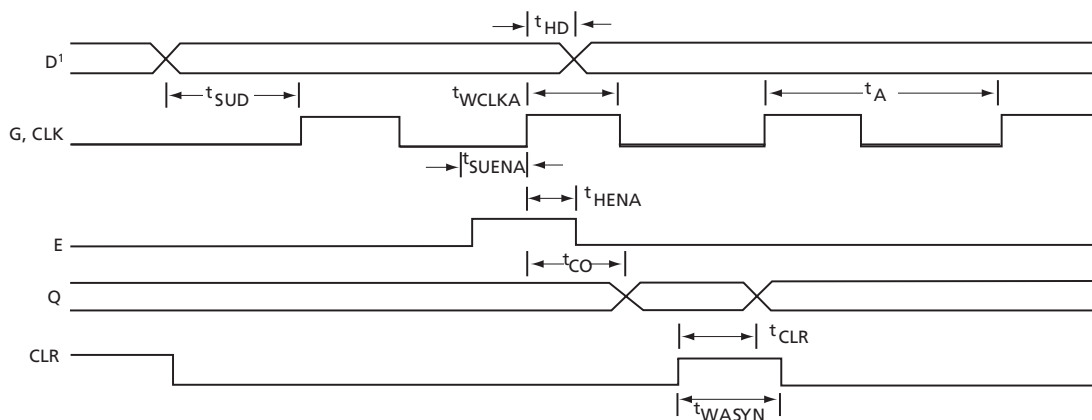
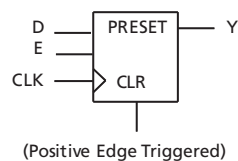
Figure 1-12 • Combinatorial Macro Delays

## Sequential Timing Characteristics



D represents all data functions involving A, B, and S for multiplexed flip-flops.

Figure 1-13 • Flip-Flops and Latches (RT1280A, A1280A)



D represents all data functions involving A, B, and S for multiplexed flip-flops.

Figure 1-14 • Flip-Flops and Latches (RT1425A, A1425A, RT1460A, A1460A, RT14100A, A14100A)

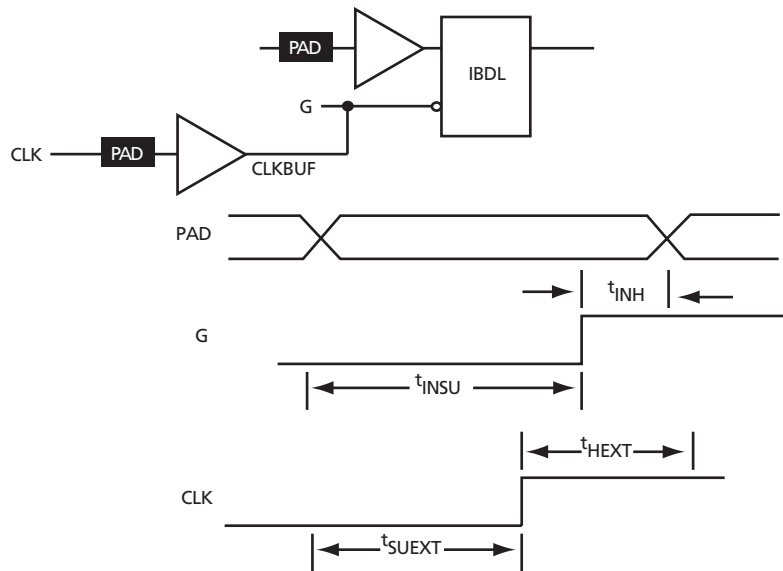


Figure 1-15 • Input Buffer Latches (R1280A, A1280A)

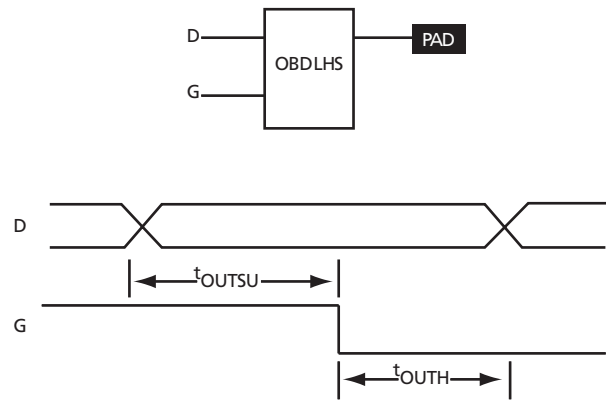


Figure 1-16 • Output Buffer Latches (RT1280A, A1280A)

## RT1020, A1020B Timing Characteristics

Table 1-10 • RT1020, A1020B Logic and Input Modules  
Worst-Case Military Conditions,  $V_{CC} = 4.5\text{ V}$ ,  $T_J = 125^\circ\text{C}$

Parameter	Description	Std Speed		Units
		Min.	Max.	
<b>Logic Module Propagation Delays</b>				
$t_{PD1}$	Single Module		3.6	ns
$t_{PD2}$	Dual Module Macros		8.4	ns
$t_{CO}$	Sequential Clock to Q		3.6	ns
$t_{GO}$	Latch G to Q		3.6	ns
$t_{RS}$	Flip-Flop (Latch) Reset to Q		3.6	ns
<b>Logic Module Predicted Routing Delays<sup>1</sup></b>				
$t_{RD1}$	FO=1 Routing Delay		1.1	ns
$t_{RD2}$	FO=2 Routing Delay		1.8	ns
$t_{RD3}$	FO=3 Routing Delay		2.6	ns
$t_{RD4}$	FO=4 Routing Delay		3.9	ns
$t_{RD8}$	FO=8 Routing Delay		8.1	ns
<b>Logic Module Sequential Timing<sup>2</sup></b>				
$t_{SUD}$	Flip-Flop (Latch) Data Input Setup	6.9		ns
$t_{HD}^3$	Flip-Flop (Latch) Data Input Hold	0.0		ns
$t_{SUENA}$	Flip-Flop (Latch) Enable Setup	6.9		ns
$t_{HENA}$	Flip-Flop (Latch) Enable Hold	0.0		ns
$t_{WCLKA}$	Flip-Flop (Latch) Clock Active Pulse Width	8.4		ns
$t_{WASYN}$	Flip-Flop (Latch) Asynchronous Pulse Width	8.4		ns
$t_A$	Flip-Flop Clock Input Period	17.5		ns
$f_{MAX}$	Flip-Flop (Latch) Clock Frequency (FO = 128)		55	MHz
<b>Input Module Propagation Delays</b>				
$t_{INYH}$	Pad to Y High		3.9	ns
$t_{INYL}$	Pad to Y Low		3.9	ns
<b>Input Module Predicted Routing Delays<sup>1, 3</sup></b>				
$t_{IRD1}$	FO=1 Routing Delay		1.1	ns
$t_{IRD2}$	FO=2 Routing Delay		1.8	ns
$t_{IRD3}$	FO=3 Routing Delay		2.6	ns
$t_{IRD4}$	FO=4 Routing Delay		3.9	ns
$t_{IRD8}$	FO=8 Routing Delay		8.1	ns

**Notes:**

1. Routing delays are for typical designs across worst-case operating conditions. These parameters should be used for estimating device performance. Post-route timing analysis or simulation is required to determine actual worst-case performance. Post-route timing is based on actual routing delay measurements performed on the device prior to shipment.
2. Setup times assume fanout of 3. Further testing information can be obtained from the Timer utility.
3. Optimization techniques may further reduce delays by 0 to 4ns.
4. The hold time for the DFME1A macro may be greater than 0ns. Use the Designer software 3.0 (or later) Timer to check the hold time for this macro.

Table 1-11 • RT1020, A1020B Output Module  
Worst-Case Military Conditions,  $V_{CC} = 4.5\text{ V}$ ,  $T_J = 125^\circ\text{C}$

Parameter	Description	Std Speed		Units
		Min.	Max.	
<b>Global Clock Network</b>				
$t_{CKH}$	Input Low to High	FO = 16 FO = 128	6.0 6.9	ns
$t_{CKL}$	Input High to Low	FO = 16 FO = 128	7.9 8.7	ns
$t_{PWH}$	Minimum Pulse Width High	FO = 16 FO = 128	8.0 8.4	ns
$t_{PWL}$	Minimum Pulse Width Low	FO = 16 FO = 128	1.5 2.2	ns
$t_{CKSW}$	Maximum Skew	FO = 16 FO = 128	1.5 2.3	ns
$t_p$	Minimum Period	FO = 16 FO = 128	16.3 17.5	ns
$f_{MAX}$	Maximum Frequency	FO = 16 FO = 128	60 50	MHz
<b>TTL Output Module Timing<sup>1</sup></b>				
$t_{DLH}$	Data to Pad High		8.3	ns
$t_{DHL}$	Data to Pad Low		9.3	ns
$t_{ENZH}$	Enable Pad Z to High		8.1	ns
$t_{ENZL}$	Enable Pad Z to Low		9.8	ns
$t_{ENHZ}$	Enable Pad High to Z		12.3	ns
$t_{ENLZ}$	Enable Pad Low to Z		11.1	ns
$d_{TLH}$	Delta Low to High		0.07	ns/pF
$d_{THL}$	Delta High to Low		0.10	ns/pF
<b>CMOS Output Module Timing<sup>1</sup></b>				
$t_{DLH}$	Data to Pad High		9.8	ns
$t_{DHL}$	Data to Pad Low		7.9	ns
$t_{ENZH}$	Enable Pad Z to High		7.4	ns
$t_{ENZL}$	Enable Pad Z to Low		10.2	ns
$t_{ENHZ}$	Enable Pad High to Z		12.3	ns
$t_{ENLZ}$	Enable Pad Low to Z		11.1	ns
$d_{TLH}$	Delta Low to High		0.13	ns/pF
$d_{THL}$	Delta High to Low		0.07	ns/pF

**Notes:**

1. Delays based on 35pF loading.
2. SSO information can be found in the Simultaneously Switching Noise and Signal Integrity application note.

## RT1280A, A1280A Timing Characteristics

Table 1-12 • RT1280A, A1280A Logic Module  
Worst-Case Military Conditions,  $V_{CC} = 4.5\text{ V}$ ,  $T_J = 125^\circ\text{C}$

Parameter	Description	-1 Speed		Std Speed		Units
		Min.	Max.	Min.	Max.	
<b>Logic Module Propagation Delays<sup>1</sup></b>						
$t_{PD1}$	Single Module		5.2		6.1	ns
$t_{CO}$	Sequential Clock-to-Q		5.2		6.1	ns
$t_{GO}$	Latch G-to-Q		5.2		6.1	ns
$t_{RS}$	Flip-Flop (Latch) Reset-to-Q		5.2		6.1	ns
<b>Logic Module Predicted Routing Delays<sup>2</sup></b>						
$t_{RD1}$	FO=1 Routing Delay		2.4		2.8	ns
$t_{RD2}$	FO=2 Routing Delay		3.4		4.0	ns
$t_{RD3}$	FO=3 Routing Delay		4.2		4.9	ns
$t_{RD4}$	FO=4 Routing Delay		5.1		6.0	ns
$t_{RD8}$	FO=8 Routing Delay		9.2		10.8	ns
<b>Logic Module Sequential Timing<sup>3, 4</sup></b>						
$t_{SUD}$	Flip-Flop (Latch) Data Input Setup	0.5		0.5		ns
$t_{HD}$	Flip-Flop (Latch) Data Input Hold	0.0		0.0		ns
$t_{SUENA}$	Flip-Flop (Latch) Enable Setup	1.3		1.3		ns
$t_{HENA}$	Flip-Flop (Latch) Enable Hold	0.0		0.0		ns
$t_{WCLKA}$	Flip-Flop (Latch) Clock Active Pulse Width	7.4		8.6		ns
$t_{WASYN}$	Flip-Flop (Latch) Asynchronous Pulse Width	7.4		8.6		ns
$t_A$	Flip-Flop Clock Input Period	16.4		22.1		ns
$t_{INH}$	Input Buffer Latch Hold	2.5		2.5		ns
$t_{INSU}$	Input Buffer Latch Setup	3.5		3.5		ns
$t_{OUTH}$	Output Buffer Latch Hold	0.0		0.0		ns
$t_{OUTSU}$	Output Buffer Latch Setup	0.5		0.5		ns
$f_{MAX}$	Flip-Flop (Latch) Clock Frequency		60		41	MHz

### Notes:

1. For dual-module macros, use  $t_{PD1} + t_{RD1} + t_{PDn}$ ,  $t_{CO} + t_{RD1} + t_{PDn}$ , or  $t_{PD1} + t_{RD1} + t_{SUD}$ , whichever is appropriate.
2. Routing delays are for typical designs across worst-case operating conditions. These parameters should be used for estimating device performance. Post-route timing analysis or simulation is required to determine actual worst-case performance. Post-route timing is based on actual routing delay measurements performed on the device prior to shipment.
3. Data applies to macros based on the S-module. Timing parameters for sequential macros constructed from C-modules can be obtained from the Timer utility.
4. Setup and hold timing parameters for the input buffer latch are defined with respect to the PAD and the D input. External setup/hold timing parameters must account for delay from an external PAD signal to the G inputs. Delay from an external PAD signal to the G input subtracts (adds) to the internal setup (hold) time.

Table 1-13 • RT1280A, A1280A Input Module  
Worst-Case Military Conditions,  $V_{CC} = 4.5\text{ V}$ ,  $T_J = 125^\circ\text{C}$

Parameter	Description	-1 Speed		Std Speed		Units
		Min.	Max.	Min.	Max.	
<b>Input Module Propagation Delays</b>						
$t_{INYH}$	Pad-to-Y HIGH		4.0		4.7	ns
$t_{INYL}$	Pad-to-Y LOW		3.6		4.3	ns
$t_{INGH}$	G-to-Y HIGH		6.9		8.1	ns
$t_{INGL}$	G-to-Y LOW		6.6		7.7	ns
<b>Input Module Predicted Routing Delays<sup>1</sup></b>						
$t_{IRD1}$	FO=1 Routing Delay		6.2		7.3	ns
$t_{IRD2}$	FO=2 Routing Delay		7.2		8.4	ns
$t_{IRD3}$	FO=3 Routing Delay		7.7		9.1	ns
$t_{IRD4}$	FO=4 Routing Delay		8.9		10.5	ns
$t_{IRD8}$	FO=8 Routing Delay		12.9		15.2	ns
<b>Global Clock Network</b>						
$t_{CKH}$	Input LOW to HIGH	FO = 32 FO = 384	13.3 17.9		15.7 21.1	ns
$t_{CKL}$	Input HIGH to LOW	FO = 32 FO = 384	13.3 18.2		15.7 21.4	ns
$t_{PWH}$	Minimum Pulse Width HIGH	FO = 32 FO = 384	6.9 7.9		8.1 9.3	ns
$t_{PWL}$	Minimum Pulse Width LOW	FO = 32 FO = 384	6.9 7.9		8.1 9.3	ns
$t_{CKSW}$	Maximum Skew	FO = 32 FO = 384	0.6 3.1		0.6 3.1	ns
$t_{SUEXT}$	Input Latch External Setup	FO = 32 FO = 384	0.0 0.0		0.0 0.0	ns
$t_{HEXT}$	Input Latch External Hold	FO = 32 FO = 384	8.6 13.8		8.6 13.8	ns
$t_p$	Minimum Period	FO = 32 FO = 384	13.7 16.0		16.2 18.9	ns
$f_{MAX}$	Maximum Frequency	FO = 32 FO = 384	73 63		62 53	MHz

**Note:**

1. Routing delays are for typical designs across worst-case operating conditions. These parameters should be used for estimating device performance. Post-route timing analysis or simulation is required to determine actual worst-case performance. Post-route timing is based on actual routing delay measurements performed on the device prior to shipment. Optimization techniques may further reduce delays by 0 to 4ns.



Table 1-14 • RT1280A, A1280A Output Module  
Worst-Case Military Conditions,  $V_{CC} = 4.5\text{ V}$ ,  $T_J = 125^\circ\text{C}$

Parameter	Description	-1 Speed		Std Speed		Units
		Min.	Max.	Min.	Max.	
<b>TTL Output Module Timing<sup>1</sup></b>						
$t_{DLH}$	Data-to-Pad HIGH		11.0		13.0	ns
$t_{DHL}$	Data-to-Pad LOW		13.9		16.4	ns
$t_{ENZH}$	Enable-to-Pad Z to HIGH		12.3		14.4	ns
$t_{ENZL}$	Enable-to-Pad Z to LOW		16.1		19.0	ns
$t_{ENHZ}$	Enable-to-Pad HIGH to Z		9.8		11.5	ns
$t_{ENLZ}$	Enable-to-Pad LOW to Z		11.5		13.6	ns
$t_{GLH}$	G-to-Pad HIGH		12.4		14.6	ns
$t_{GHL}$	G-to-Pad LOW		15.5		18.2	ns
$d_{TLH}$	Delta LOW to HIGH		0.09		0.11	ns/pF
$d_{THL}$	Delta HIGH to LOW		0.17		0.20	ns/pF
<b>CMOS Output Module Timing<sup>1</sup></b>						
$t_{DLH}$	Data-to-Pad HIGH		14.0		16.5	ns
$t_{DHL}$	Data-to-Pad LOW		11.7		13.7	ns
$t_{ENZH}$	Enable-to-Pad Z to HIGH		12.3		14.4	ns
$t_{ENZL}$	Enable-to-Pad Z to LOW		16.1		19.0	ns
$t_{ENHZ}$	Enable-to-Pad HIGH to Z		9.8		11.5	ns
$t_{ENLZ}$	Enable-to-Pad LOW to Z		11.5		13.6	ns
$t_{GLH}$	G-to-Pad HIGH		12.4		14.6	ns
$t_{GHL}$	G-to-Pad LOW		15.5		18.2	ns
$d_{TLH}$	Delta LOW to HIGH		0.17		0.20	ns/pF
$d_{THL}$	Delta HIGH to LOW		0.12		0.15	ns/pF

**Notes:**

1. Delays based on 50pF loading.
2. SSO information can be found in the Simultaneously Switching Noise and Signal Integrity application note.

## RT1425A, A1425A Timing Characteristics

Table 1-15 • RT1425A, A1425A Logic and Input Modules  
Worst-Case Military Conditions,  $V_{CC} = 4.5\text{ V}$ ,  $T_J = 125^\circ\text{C}$

Parameter	Description	-1 Speed		Std Speed		Units
		Min.	Max.	Min.	Max.	
<b>Logic Module Propagation Delays<sup>1</sup></b>						
$t_{PD}$	Internal Array Module		3.0		3.5	ns
$t_{CO}$	Sequential Clock to Q		3.0		3.5	ns
$t_{CLR}$	Asynchronous Clear to Q		3.0		3.5	ns
<b>Logic Module Predicted Routing Delays<sup>2</sup></b>						
$t_{RD1}$	FO=1 Routing Delay		1.3		1.5	ns
$t_{RD2}$	FO=2 Routing Delay		1.9		2.1	ns
$t_{RD3}$	FO=3 Routing Delay		2.1		2.5	ns
$t_{RD4}$	FO=4 Routing Delay		2.6		2.9	ns
$t_{RD8}$	FO=8 Routing Delay		4.2		4.9	ns
<b>Logic Module Sequential Timing</b>						
$t_{SUD}$	Flip-Flop (Latch) Data Input Setup	0.9		1.0		ns
$t_{HD}$	Flip-Flop (Latch) Data Input Hold	0.0		0.0		ns
$t_{SUENA}$	Flip-Flop (Latch) Enable Setup	0.9		1.0		ns
$t_{HENA}$	Flip-Flop (Latch) Enable Hold	0.0		0.0		ns
$t_{WASYN}$	Asynchronous Pulse Width	3.8		4.4		ns
$t_{WCLKA}$	Flip-Flop Clock Pulse Width	3.8		4.4		ns
$t_A$	Flip-Flop Clock Input Period	7.9		9.3		ns
$f_{MAX}$	Flip-Flop Clock Frequency		125		100	MHz
<b>Input Module Propagation Delays</b>						
$t_{INY}$	Input Data Pad to Y		4.2		4.9	ns
$t_{ICKY}$	Input Reg IOCLK Pad to Y		7.0		8.2	ns
$t_{OCKY}$	Output Reg IOCLK Pad to Y		7.0		8.2	ns
$t_{ICLRY}$	Input Asynchronous Clear to Y		7.0		8.2	ns
$t_{OCLRY}$	Output Asynchronous Clear to Y		7.0		8.2	ns
<b>Input Module Predicted Routing Delays<sup>2, 3</sup></b>						
$t_{IRD1}$	FO=1 Routing Delay		1.3		1.5	ns
$t_{IRD2}$	FO=2 Routing Delay		1.9		2.1	ns
$t_{IRD3}$	FO=3 Routing Delay		2.1		2.5	ns
$t_{IRD4}$	FO=4 Routing Delay		2.6		2.9	ns
$t_{IRD8}$	FO=8 Routing Delay		4.2		4.9	ns

### Notes:

1. For dual-module macros, use  $t_{PD} + t_{RD1} + t_{PDn}$ ,  $t_{CO} + t_{RD1} + t_{PDn}$ , or  $t_{PD1} + t_{RD1} + t_{SUD}$ , whichever is appropriate.
2. Routing delays are for typical designs across worst-case operating conditions. These parameters should be used for estimating device performance. Post-route timing analysis or simulation is required to determine actual worst-case performance. Post-route timing is based on actual routing delay measurements performed on the device prior to shipment.
3. Optimization techniques may further reduce delays by 0 to 4ns.

Table 1-16 • RT1425A, A1425A Logic and Input Modules  
Worst-Case Military Conditions,  $V_{CC} = 4.5\text{ V}$ ,  $T_J = 125^\circ\text{C}$

Parameter	Description	-1 Speed		Std Speed		Units
		Min.	Max.	Min.	Max.	
<b>I/O Module Sequential Timing</b>						
$t_{INH}$	Input F-F Data Hold (w.r.t. IOCLK Pad)	0.0		0.0		ns
$t_{INSU}$	Input F-F Data Setup (w.r.t. IOCLK Pad)	2.1		2.4		ns
$t_{IDEH}$	Input Data Enable Hold (w.r.t. IOCLK Pad)	0.0		0.0		ns
$t_{IDESU}$	Input Data Enable Setup (w.r.t. IOCLK Pad)	8.7		10.0		ns
$t_{OUTH}$	Output F-F Data Hold (w.r.t. IOCLK Pad)	1.1		1.2		ns
$t_{OUTSU}$	Output F-F Data Setup (w.r.t. IOCLK Pad)	1.1		1.2		ns
$t_{ODEH}$	Output Data Enable Hold (w.r.t. IOCLK Pad)	0.5		0.6		ns
$t_{ODESU}$	Output Data Enable Setup (w.r.t. IOCLK Pad)	2.0		2.4		ns
<b>TTL Output Module Timing<sup>1</sup></b>						
$t_{DHS}$	Data to Pad, High Slew		7.5		8.9	ns
$t_{DLS}$	Data to Pad, Low Slew		11.9		14.0	ns
$t_{ENZHS}$	Enable to Pad, Z to H/L, High Slew		6.0		7.0	ns
$t_{ENZLS}$	Enable to Pad, Z to H/L, Low Slew		10.9		12.8	ns
$t_{ENHSZ}$	Enable to Pad, H/L to Z, High Slew		9.9		11.6	ns
$t_{ENLSZ}$	Enable to Pad, H/L to Z, Low Slew		9.9		11.6	ns
$t_{CKHS}$	IOCLK Pad to Pad H/L, High Slew		10.5		11.6	ns
$t_{CKLS}$	IOCLK Pad to Pad H/L, Low Slew		15.7		17.4	ns
$d_{TLHHS}$	Delta Low to High, High Slew		0.04		0.04	ns/pF
$d_{TLHLS}$	Delta Low to High, Low Slew		0.07		0.08	ns/pF
$d_{THLHS}$	Delta High to Low, High Slew		0.05		0.06	ns/pF
$d_{THLLS}$	Delta High to Low, Low Slew		0.07		0.08	ns/pF
<b>CMOS Output Module Timing<sup>1</sup></b>						
$t_{DHS}$	Data to Pad, High Slew		9.2		10.8	ns
$t_{DLS}$	Data to Pad, Low Slew		17.3		20.3	ns
$t_{ENZHS}$	Enable to Pad, Z to H/L, High Slew		7.7		9.1	ns
$t_{ENZLS}$	Enable to Pad, Z to H/L, Low Slew		13.1		15.5	ns
$t_{ENHSZ}$	Enable to Pad, H/L to Z, High Slew		9.9		11.6	ns
$t_{ENLSZ}$	Enable to Pad, H/L to Z, Low Slew		10.5		11.6	ns
$t_{CKHS}$	IOCLK Pad to Pad H/L, High Slew		12.5		13.7	ns
$t_{CKLS}$	IOCLK Pad to Pad H/L, Low Slew		18.1		20.1	ns
$d_{TLHHS}$	Delta Low to High, High Slew		0.06		0.07	ns/pF
$d_{TLHLS}$	Delta Low to High, Low Slew		0.11		0.13	ns/pF
$d_{THLHS}$	Delta High to Low, High Slew		0.04		0.05	ns/pF
$d_{THLLS}$	Delta High to Low, Low Slew		0.05		0.06	ns/pF

**Note:**

1. Delays based on 35pF loading.

Table 1-17 • RT1425A, A1425A Clock Networks  
Worst-Case Military Conditions,  $V_{CC} = 4.5\text{ V}$ ,  $T_J = 125^\circ\text{C}$

Parameter	Description	-1 Speed		Std Speed		Units
		Min.	Max.	Min.	Max.	
<b>Dedicated (Hard-Wired) I/O Clock Network</b>						
$t_{IOCKH}$	Input Low to High (Pad to I/O Module Input)		3.0		3.5	ns
$t_{IOPWH}$	Minimum Pulse Width High	3.9		4.4		ns
$t_{IOPWL}$	Minimum Pulse Width Low	3.9		4.4		ns
$t_{IOSAPW}$	Minimum Asynchronous Pulse Width	3.9		4.4		ns
$t_{IOCKSW}$	Maximum Skew		0.5		0.5	ns
$t_{IOP}$	Minimum Period	7.9		9.3		ns
$f_{IOMAX}$	Maximum Frequency		125		100	MHz
<b>Dedicated (Hard-Wired) Array Clock Network</b>						
$t_{HCKH}$	Input Low to High (Pad to S-Module Input)		4.6		5.3	ns
$t_{HCKL}$	Input High to Low (Pad to S-Module Input)		4.6		5.3	ns
$t_{HPWH}$	Minimum Pulse Width High	3.9		4.4		ns
$t_{HPWL}$	Minimum Pulse Width Low	3.9		4.4		ns
$t_{HCKSW}$	Maximum Skew		0.4		0.4	ns
$t_{HP}$	Minimum Period	7.9		9.3		ns
$f_{HMAX}$	Maximum Frequency		125		100	MHz
<b>Routed Array Clock Networks</b>						
$t_{RCKH}$	Input Low to High (FO=64)		5.5		6.4	ns
$t_{RCKL}$	Input High to Low (FO=64)		6.0		7.0	ns
$t_{RPWH}$	Minimum Pulse Width High (FO=64)	4.9		5.7		ns
$t_{RPWL}$	Minimum Pulse Width Low (FO=64)	4.9		5.7		ns
$t_{RCKSW}$	Maximum Skew (FO=128)		1.1		1.2	ns
$t_{RP}$	Minimum Period (FO=64)	10.1		11.6		ns
$f_{RMAX}$	Maximum Frequency (FO=64)		100		85	MHz
<b>Clock-to-Clock Skews</b>						
$t_{IOHCKSW}$	I/O Clock to H-Clock Skew	0.0	3.0	0.0	3.0	ns
$t_{IORCKSW}$	I/O Clock to R-Clock Skew	0.0	3.0	0.0	3.0	ns
$t_{HRCKSW}$	H-Clock to R-Clock Skew (FO = 64) (FO = 50% max.)	0.0	1.0	0.0	1.0	ns
		0.0	3.0	0.0	3.0	ns

**Note:** SSO information can be found in the Simultaneously Switching Noise and Signal Integrity application note.

## RT1460A, A1460A Timing Characteristics

Table 1-18 • RT1460A, A1460A Logic and Input Modules  
Worst-Case Military Conditions,  $V_{CC} = 4.5\text{ V}$ ,  $T_J = 125^\circ\text{C}$

Parameter	Description	-1 Speed		Std Speed		Units
		Min.	Max.	Min.	Max.	
<b>Logic Module Propagation Delays<sup>1</sup></b>						
$t_{PD}$	Internal Array Module		3.0		3.5	ns
$t_{CO}$	Sequential Clock to Q		3.0		3.5	ns
$t_{CLR}$	Asynchronous Clear to Q		3.0		3.5	ns
<b>Logic Module Predicted Routing Delays<sup>2</sup></b>						
$t_{RD1}$	FO=1 Routing Delay		1.3		1.5	ns
$t_{RD2}$	FO=2 Routing Delay		1.9		2.1	ns
$t_{RD3}$	FO=3 Routing Delay		2.1		2.5	ns
$t_{RD4}$	FO=4 Routing Delay		2.6		2.9	ns
$t_{RD8}$	FO=8 Routing Delay		4.2		4.9	ns
<b>Logic Module Sequential Timing</b>						
$t_{SUD}$	Flip-Flop (Latch) Data Input Setup	0.9		1.0		ns
$t_{HD}$	Flip-Flop (Latch) Data Input Hold	0.0		0.0		ns
$t_{SUENA}$	Flip-Flop (Latch) Enable Setup	0.9		1.0		ns
$t_{HENA}$	Flip-Flop (Latch) Enable Hold	0.0		0.0		ns
$t_{WASYN}$	Asynchronous Pulse Width	4.8		5.6		ns
$t_{WCLKA}$	Flip-Flop Clock Pulse Width	4.8		5.6		ns
$t_A$	Flip-Flop Clock Input Period	9.9		11.6		ns
$f_{MAX}$	Flip-Flop Clock Frequency		100		85	MHz
<b>Input Module Propagation Delays</b>						
$t_{INY}$	Input Data Pad to Y		4.2		4.9	ns
$t_{ICKY}$	Input Reg IOCLK Pad to Y		7.0		8.2	ns
$t_{OCKY}$	Output Reg IOCLK Pad to Y		7.0		8.2	ns
$t_{ICLRY}$	Input Asynchronous Clear to Y		7.0		8.2	ns
$t_{OCLRY}$	Output Asynchronous Clear to Y		7.0		8.2	ns
<b>Predicted Input Routing Delays<sup>2, 3</sup></b>						
$t_{IRD1}$	FO=1 Routing Delay		1.3		1.5	ns
$t_{IRD2}$	FO=2 Routing Delay		1.9		2.1	ns
$t_{IRD3}$	FO=3 Routing Delay		2.1		2.5	ns
$t_{IRD4}$	FO=4 Routing Delay		2.6		2.9	ns
$t_{IRD8}$	FO=8 Routing Delay		4.2		4.9	ns

**Notes:**

1. For dual-module macros, use  $t_{PD} + t_{RD1} + t_{PDn}$ ,  $t_{CO} + t_{RD1} + t_{PDn}$ , or  $t_{PD1} + t_{RD1} + t_{SUD}$ , whichever is appropriate.
2. Routing delays are for typical designs across worst-case operating conditions. These parameters should be used for estimating device performance. Post-route timing analysis or simulation is required to determine actual worst-case performance. Post-route timing is based on actual routing delay measurements performed on the device prior to shipment.
3. Optimization techniques may further reduce delays by 0 to 4ns.

Table 1-19 • RT1460A, A1460A I/O and Output Modules  
Worst-Case Military Conditions,  $V_{CC} = 4.5\text{ V}$ ,  $T_J = 125^\circ\text{C}$

Parameter	Description	-1 Speed		Std Speed		Units
		Min.	Max.	Min.	Max.	
<b>I/O Module Sequential Timing</b>						
$t_{INH}$	Input F-F Data Hold (w.r.t. IOCLK Pad)	0.0		0.0		ns
$t_{INSU}$	Input F-F Data Setup (w.r.t. IOCLK Pad)	2.1		2.4		ns
$t_{IDEH}$	Input Data Enable Hold (w.r.t. IOCLK Pad)	0.0		0.0		ns
$t_{IDESU}$	Input Data Enable Setup (w.r.t. IOCLK Pad)	8.7		10.0		ns
$t_{OUTH}$	Output F-F Data Hold (w.r.t. IOCLK Pad)	1.1		1.2		ns
$t_{OUTSU}$	Output F-F Data Setup (w.r.t. IOCLK Pad)	1.1		1.2		ns
$t_{ODEH}$	Output Data Enable Hold (w.r.t. IOCLK Pad)	0.5		0.6		ns
$t_{ODESU}$	Output Data Enable Setup (w.r.t. IOCLK Pad)	2.0		2.4		ns
<b>TTL Output Module Timing<sup>1</sup></b>						
$t_{DHS}$	Data to Pad, High Slew		7.5		8.9	ns
$t_{DLS}$	Data to Pad, Low Slew		11.9		14.0	ns
$t_{ENZHS}$	Enable to Pad, Z to H/L, High Slew		6.0		7.0	ns
$t_{ENZLS}$	Enable to Pad, Z to H/L, Low Slew		10.9		12.8	ns
$t_{ENHSZ}$	Enable to Pad, H/L to Z, High Slew		11.5		13.5	ns
$t_{ENLSZ}$	Enable to Pad, H/L to Z, Low Slew		10.9		12.8	ns
$t_{CKHS}$	IOCLK Pad to Pad H/L, High Slew		11.6		13.4	ns
$t_{CKLS}$	IOCLK Pad to Pad H/L, Low Slew		17.8		19.8	ns
$d_{TLHHS}$	Delta Low to High, High Slew		0.04		0.04	ns/pF
$d_{TLHLS}$	Delta Low to High, Low Slew		0.07		0.08	ns/pF
$d_{THLHS}$	Delta High to Low, High Slew		0.05		0.06	ns/pF
$d_{THLLS}$	Delta High to Low, Low Slew		0.07		0.08	ns/pF
<b>CMOS Output Module Timing<sup>1</sup></b>						
$t_{DHS}$	Data to Pad, High Slew		9.2		10.8	ns
$t_{DLS}$	Data to Pad, Low Slew		17.3		20.3	ns
$t_{ENZHS}$	Enable to Pad, Z to H/L, High Slew		7.7		9.1	ns
$t_{ENZLS}$	Enable to Pad, Z to H/L, Low Slew		13.1		15.5	ns
$t_{ENHSZ}$	Enable to Pad, H/L to Z, High Slew		10.9		12.8	ns
$t_{ENLSZ}$	Enable to Pad, H/L to Z, Low Slew		10.9		12.8	ns
$t_{CKHS}$	IOCLK Pad to Pad H/L, High Slew		14.1		16.0	ns
$t_{CKLS}$	IOCLK Pad to Pad H/L, Low Slew		20.2		22.4	ns
$d_{TLHHS}$	Delta Low to High, High Slew		0.06		0.07	ns/pF
$d_{TLHLS}$	Delta Low to High, Low Slew		0.11		0.13	ns/pF
$d_{THLHS}$	Delta High to Low, High Slew		0.04		0.05	ns/pF
$d_{THLLS}$	Delta High to Low, Low Slew		0.05		0.06	ns/pF

**Note:**

1. Delays based on 35pF loading.

Table 1-20 • RT1460A, A1460A Clock Networks  
Worst-Case Military Conditions,  $V_{CC} = 4.5\text{ V}$ ,  $T_J = 125^\circ\text{C}$

Parameter	Description	-1 Speed		Std Speed		Units
		Min.	Max.	Min.	Max.	
<b>Dedicated (Hard-Wired) I/O Clock Network</b>						
$t_{IOCKH}$	Input Low to High (Pad to I/O Module Input)		3.5		4.1	ns
$t_{IOPWH}$	Minimum Pulse Width High	4.8		5.7		ns
$t_{IOPWL}$	Minimum Pulse Width Low	4.8		5.7		ns
$t_{IOSAPW}$	Minimum Asynchronous Pulse Width	3.9		4.4		ns
$t_{IOCKSW}$	Maximum Skew		0.9		1.0	ns
$t_{IOP}$	Minimum Period	9.9		11.6		ns
$f_{IOMAX}$	Maximum Frequency		100		85	MHz
<b>Dedicated (Hard-Wired) Array Clock Network</b>						
$t_{HCKH}$	Input Low to High (Pad to S-Module Input)		5.5		6.4	ns
$t_{HCKL}$	Input High to Low (Pad to S-Module Input)		5.5		6.4	ns
$t_{HPWH}$	Minimum Pulse Width High	4.8		5.7		ns
$t_{HPWL}$	Minimum Pulse Width Low	4.8		5.7		ns
$t_{HCKSW}$	Maximum Skew		0.9		1.0	ns
$t_{HP}$	Minimum Period	9.9		11.6		ns
$f_{HMAX}$	Maximum Frequency		100		85	MHz
<b>Routed Array Clock Networks</b>						
$t_{RCKH}$	Input Low to High (FO=256)		9.0		10.5	ns
$t_{RCKL}$	Input High to Low (FO=256)		9.0		10.5	ns
$t_{RPWH}$	Min. Pulse Width High (FO=256)	6.3		7.1		ns
$t_{RPWL}$	Min. Pulse Width Low (FO=256)	6.3		7.1		ns
$t_{RCKSW}$	Maximum Skew (FO=128)		1.9		2.1	ns
$t_{RP}$	Minimum Period (FO=256)	12.9		14.5		ns
$f_{RMAX}$	Maximum Frequency (FO=256)		75		65	MHz
<b>Clock-to-Clock Skews</b>						
$t_{IOHCKSW}$	I/O Clock to H-Clock Skew	0.0	3.0	0.0	3.0	ns
$t_{IORCKSW}$	I/O Clock to R-Clock Skew	0.0	5.0	0.0	5.0	ns
$t_{HRCKSW}$	H-Clock to R-Clock Skew (FO = 64) (FO = 50% max.)	0.0	1.0	0.0	1.0	ns
		0.0	3.0	0.0	3.0	ns

**Note:** SSO information can be found in the Simultaneously Switching Noise and Signal Integrity application note.

## RT14100A, A14100A Timing Characteristics

Table 1-21 • RT14100A, A14100A Logic and Input Modules  
Worst-Case Military Conditions,  $V_{CC} = 4.5\text{ V}$ ,  $T_J = 125^\circ\text{C}$

Parameter	Description	-1 Speed		Std Speed		Units
		Min.	Max.	Min.	Max.	
<b>Logic Module Propagation Delays<sup>1</sup></b>						
$t_{PD}$	Internal Array Module		3.0		3.5	ns
$t_{CO}$	Sequential Clock-to-Q		3.0		3.5	ns
$t_{CLR}$	Asynchronous Clear-to-Q		3.0		3.5	ns
<b>Logic Module Predicted Routing Delays<sup>2</sup></b>						
$t_{RD1}$	FO=1 Routing Delay		1.3		1.5	ns
$t_{RD2}$	FO=2 Routing Delay		1.9		2.1	ns
$t_{RD3}$	FO=3 Routing Delay		2.1		2.5	ns
$t_{RD4}$	FO=4 Routing Delay		2.6		2.9	ns
$t_{RD8}$	FO=8 Routing Delay		4.2		4.9	ns
<b>Logic Module Sequential Timing</b>						
$t_{SUD}$	Flip-Flop (Latch) Data Input Setup	1.0		1.0		ns
$t_{HD}$	Flip-Flop (Latch) Data Input Hold	0.6		0.6		ns
$t_{SUENA}$	Flip-Flop (Latch) Enable Setup	1.0		1.0		ns
$t_{HENA}$	Flip-Flop (Latch) Enable Hold	0.6		0.6		ns
$t_{WASYN}$	Asynchronous Pulse Width	4.8		5.6		ns
$t_{WCLKA}$	Flip-Flop Clock Pulse Width	4.8		5.6		ns
$t_A$	Flip-Flop Clock Input Period	9.9		11.6		ns
$f_{MAX}$	Flip-Flop Clock Frequency		100		85	MHz
<b>Input Module Propagation Delays</b>						
$t_{INY}$	Input Data Pad-to-Y		4.2		4.9	ns
$t_{ICKY}$	Input Reg IOCLK Pad-to-Y		7.0		8.2	ns
$t_{OCKY}$	Output Reg IOCLK Pad-to-Y		7.0		8.2	ns
$t_{ICLRY}$	Input Asynchronous Clear-to-Y		7.0		8.2	ns
$t_{OCLRY}$	Output Asynchronous Clear-to-Y		7.0		8.2	ns
<b>Input Module Predicted Routing Delays<sup>2, 3</sup></b>						
$t_{IRD1}$	FO=1 Routing Delay		1.3		1.5	ns
$t_{IRD2}$	FO=2 Routing Delay		1.9		2.1	ns
$t_{IRD3}$	FO=3 Routing Delay		2.1		2.5	ns
$t_{IRD4}$	FO=4 Routing Delay		2.6		2.9	ns
$t_{IRD8}$	FO=8 Routing Delay		4.2		4.9	ns

**Notes:**

1. For dual-module macros, use  $t_{PD} + t_{RD1} + t_{PDn}$ ,  $t_{CO} + t_{RD1} + t_{PDn}$ , or  $t_{PD1} + t_{RD1} + t_{SUD}$ , whichever is appropriate.
2. Routing delays are for typical designs across worst-case operating conditions. These parameters should be used for estimating device performance. Post-route timing analysis or simulation is required to determine actual worst-case performance. Post-route timing is based on actual routing delay measurements performed on the device prior to shipment.
3. Optimization techniques may further reduce delays by 0 to 4ns.



Table 1-22 • RT14100A, A14100A I/O and Output Modules  
Worst-Case Military Conditions,  $V_{CC} = 4.5\text{ V}$ ,  $T_J = 125^\circ\text{C}$

Parameter	Description	-1 Speed		Std Speed		Units
		Min.	Max.	Min.	Max.	
<b>I/O Module Sequential Timing</b>						
$t_{INH}$	Input Flip-Flop Data Hold	0.0		0.0		ns
$t_{INSU}$	Input Flip-Flop Data Setup	2.1		2.4		ns
$t_{IDEH}$	Input Data Enable Hold	0.0		0.0		ns
$t_{IDESU}$	Input Data Enable Setup	8.7		10.0		ns
$t_{OUTH}$	Output Flip-Flop Data Hold	1.2		1.2		ns
$t_{OUTSU}$	Output Flip-Flop Data Setup	1.2		1.2		ns
$t_{ODEH}$	Output Data Enable Hold	0.6		0.6		ns
$t_{ODESU}$	Output Data Enable Setup	2.4		2.4		ns
<b>TTL Output Module Timing<sup>1</sup></b>						
$t_{DHS}$	Data-to-Pad, High Slew		7.5		8.9	ns
$t_{DLS}$	Data-to-Pad, Low Slew		11.9		14.0	ns
$t_{ENZHS}$	Enable-to-Pad, Z to H/L, High Slew		6.0		7.0	ns
$t_{ENZLS}$	Enable-to-Pad, Z to H/L, Low Slew		10.9		12.8	ns
$t_{ENHSZ}$	Enable-to-Pad, H/L to Z, High Slew		11.9		14.0	ns
$t_{ENLSZ}$	Enable-to-Pad, H/L to Z, Low Slew		10.9		12.8	ns
$t_{CKHS}$	IOCLK Pad-to-Pad H/L, High Slew		12.2		14.0	ns
$t_{CKLS}$	IOCLK Pad-to-Pad H/L, Low Slew		17.8		17.8	ns
$d_{TLHHS}$	Delta LOW to HIGH, High Slew		0.04		0.04	ns/pF
$d_{TLHLS}$	Delta LOW to HIGH, Low Slew		0.07		0.08	ns/pF
$d_{THLHS}$	Delta HIGH to LOW, High Slew		0.05		0.06	ns/pF
$d_{THLLS}$	Delta HIGH to LOW, Low Slew		0.07		0.08	ns/pF
<b>CMOS Output Module Timing<sup>1</sup></b>						
$t_{DHS}$	Data-to-Pad, High Slew		9.2		10.8	ns
$t_{DLS}$	Data-to-Pad, Low Slew		17.3		20.3	ns
$t_{ENZHS}$	Enable-to-Pad, Z to H/L, High Slew		7.7		9.1	ns
$t_{ENZLS}$	Enable-to-Pad, Z to H/L, Low Slew		13.1		15.5	ns
$t_{ENHSZ}$	Enable-to-Pad, H/L to Z, High Slew		11.6		14.0	ns
$t_{ENLSZ}$	Enable-to-Pad, H/L to Z, Low Slew		10.9		12.8	ns
$t_{CKHS}$	IOCLK Pad-to-Pad H/L, High Slew		14.4		16.0	ns
$t_{CKLS}$	IOCLK Pad-to-Pad H/L, Low Slew		20.2		22.4	ns
$d_{TLHHS}$	Delta LOW to HIGH, High Slew		0.06		0.07	ns/pF
$d_{TLHLS}$	Delta LOW to HIGH, Low Slew		0.11		0.13	ns/pF
$d_{THLHS}$	Delta HIGH to LOW, High Slew		0.04		0.05	ns/pF
$d_{THLLS}$	Delta HIGH to LOW, Low Slew		0.05		0.06	ns/pF

**Note:**

1. Delays based on 35 pF loading.

Table 1-23 • RT14100A, A14100A Clock Networks  
Worst-Case Military Conditions,  $V_{CC} = 4.5\text{ V}$ ,  $T_J = 125^\circ\text{C}$

Parameter	Description	-1 Speed		Std Speed		Units
		Min.	Max.	Min.	Max.	
<b>Dedicated (Hard-Wired) I/O Clock Network</b>						
$t_{IOCKH}$	Input LOW to HIGH (Pad to I/O Module Input)		3.5		4.1	ns
$t_{IOPWH}$	Minimum Pulse Width HIGH	4.8		5.7		ns
$t_{IOPWL}$	Minimum Pulse Width LOW	4.8		5.7		ns
$t_{IOSAPW}$	Minimum Asynchronous Pulse Width	3.9		4.4		ns
$t_{IOCKSW}$	Maximum Skew		0.9		1.0	ns
$t_{IOP}$	Minimum Period	9.9		11.6		ns
$f_{IOMAX}$	Maximum Frequency		100		85	MHz
<b>Dedicated (Hard-Wired) Array Clock Network</b>						
$t_{HCKH}$	Input LOW to HIGH (Pad to S-Module Input)		5.5		6.4	ns
$t_{HCKL}$	Input HIGH to LOW (Pad to S-Module Input)		5.5		6.4	ns
$t_{HPWH}$	Minimum Pulse Width HIGH	4.8		5.7		ns
$t_{HPWL}$	Minimum Pulse Width LOW	4.8		5.7		ns
$t_{HCKSW}$	Maximum Skew		0.9		1.0	ns
$t_{HP}$	Minimum Period	9.9		11.6		ns
$f_{HMAX}$	Maximum Frequency		100		85	MHz
<b>Routed Array Clock Networks</b>						
$t_{RCKH}$	Input LOW to HIGH (FO=256)		9.0		10.5	ns
$t_{RCKL}$	Input HIGH to LOW (FO=256)		9.0		10.5	ns
$t_{RPWH}$	Min. Pulse Width HIGH (FO=256)	6.3		7.1		ns
$t_{RPWL}$	Min. Pulse Width LOW (FO=256)	6.3		7.1		ns
$t_{RCKSW}$	Maximum Skew (FO=128)		1.9		2.1	ns
$t_{RP}$	Minimum Period (FO=256)	12.9		14.5		ns
$f_{RMAX}$	Maximum Frequency (FO=256)		75		65	MHz
<b>Clock-to-Clock Skews</b>						
$t_{IOHCKSW}$	I/O Clock to H-Clock Skew	0.0	3.5	0.0	3.5	ns
$t_{IORCKSW}$	I/O Clock to R-Clock Skew	0.0	5.0	0.0	5.0	ns
$t_{HRCKSW}$	H-Clock to R-Clock Skew (FO = 64) (FO = 50% max.)	0.0 0.0	1.0 3.0	0.0 0.0	1.0 3.0	ns

**Note:** SSO information can be found in the Simultaneously Switching Noise and Signal Integrity application note.

## Pin Descriptions

### **CLK**                    **Clock (Input)**

RT1020 and A1020B only. TTL clock input for global clock distribution networks. The clock input is buffered prior to clocking the logic modules. This pin can also be used as an I/O.

### **CLKA**                    **Clock A (Input)**

Not applicable for RT1020 and A1020B. TTL clock input for global clock distribution networks. The clock input is buffered prior to clocking the logic modules. This pin can also be used as an I/O.

### **CLKB**                    **Clock B (Input)**

Not applicable for RT1020 and A1020B. TTL clock input for global clock distribution networks. The clock input is buffered prior to clocking the logic modules. This pin can also be used as an I/O.

### **DCLK**                    **Diagnostic Clock (Input)**

TTL clock input for diagnostic probe and device programming. DCLK is active when the MODE pin is HIGH. This pin functions as an I/O when the MODE pin is LOW.

### **GND**                    **Ground**

LOW supply voltage.

### **HCLK**                    **Dedicated (Hard-Wired) Array Clock (Input)**

Not applicable for RT1020, A1020B, RT1280A and A1280A. TTL clock input for sequential modules. This input is directly wired to each S-module, offering clock speeds independent of the number of S-modules being driven. This pin can also be used as an I/O.

### **I/O**                    **Input/Output (Input, Output)**

I/O pin functions as an input, output, tristate, or bidirectional buffer. Input and output levels are compatible with standard TTL and CMOS specifications. In the RT1020, A1020B, RT1280, and A1280A devices, unused I/O pins are automatically driven LOW. In the RT1425, A1425A, RT1460, A1460A, RT14100, and A14100A devices, unused I/O pins are automatically tristated.

### **IOCLK**                    **Dedicated (Hard-Wired) I/O Clock (Input)**

Not applicable for RT1020, A1020B, RT1280A and A1280A. TTL clock input for I/O modules. This input is directly wired to each I/O module, offering clock speeds independent of the number of I/O modules being driven. This pin can also be used as an I/O.

### **IOPL**                    **Dedicated (Hard-Wired) I/O Preset/Clear (Input)**

Not applicable for RT1020, A1020B, RT1280A and A1280A. TTL input for I/O preset or clear. This global input is directly wired to the preset and clear inputs of all I/O registers. This pin functions as an I/O when no I/O preset or clear macros are used.

### **MODE**                    **Mode (Input)**

The MODE pin controls the use of diagnostic pins (DCLK, PRA, PRB, SDI). When the MODE pin is HIGH, the special functions are active. When the MODE pin is LOW, the pins function as I/Os. To provide debugging capability, the MODE pin should be terminated to GND through a 10 k $\Omega$  resistor so that the MODE pin can be pulled HIGH when required.

### **NC**                    **No Connection**

This pin is not connected to circuitry within the device.

### **PRA, I/O**                    **Probe A (Output)**

The Probe A pin is used to output data from any user-defined design node within the device. This independent diagnostic pin can be used in conjunction with the Probe B pin to allow real-time diagnostic output of any signal path within the device. The Probe A pin can be used as a user-defined I/O when verification has been completed. The pin's probe capabilities can be permanently disabled to protect programmed design confidentiality. PRA is accessible when the MODE pin is HIGH. This pin functions as an I/O when the MODE pin is LOW.

### **PRB, I/O**                    **Probe B (Output)**

The Probe B pin is used to output data from any user-defined design node within the device. This independent diagnostic pin can be used in conjunction with the Probe A pin to allow real-time diagnostic output of any signal path within the device. The Probe B pin can be used as a user-defined I/O when verification has been completed. The pin's probe capabilities can be permanently disabled to protect programmed design confidentiality. PRB is accessible when the MODE pin is HIGH. This pin functions as an I/O when the MODE pin is LOW.

### **SDI**                    **Serial Data Input (Input)**

Serial data input for diagnostic probe and device programming. SDI is active when the MODE pin is HIGH. This pin functions as an I/O when the MODE pin is LOW.

### **V<sub>CC</sub>**                    **5.0 V Supply Voltage**

HIGH supply voltage.



# Package Pin Assignments

## 84-Pin CQFP

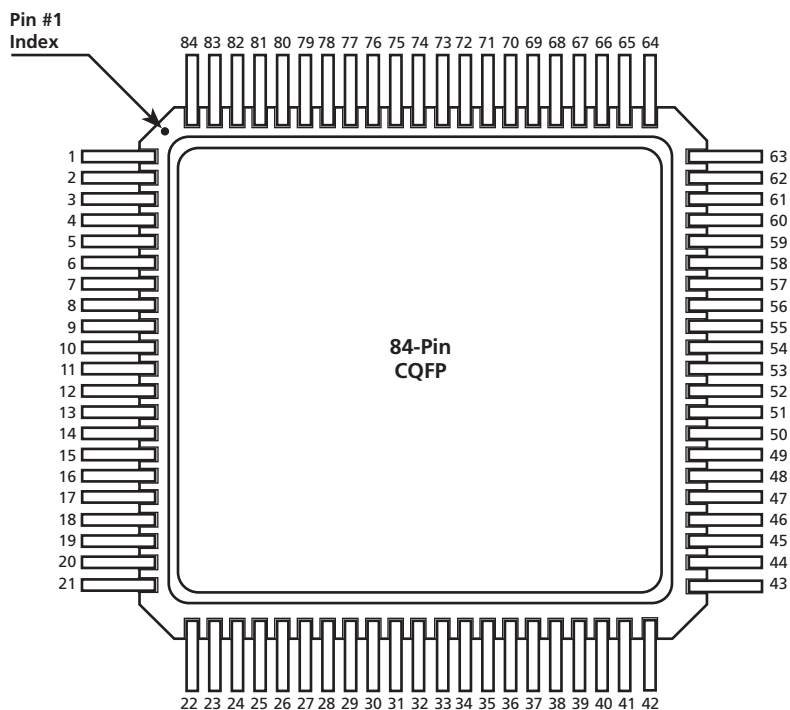


Figure 2-1 • 84-Pin CQFP (Top View)

84-Pin CQFP		
Pin Number	A1020B Function	RT1020 Function
1	NC	NC
2	I/O	I/O
3	I/O	I/O
4	I/O	I/O
5	I/O	I/O
6	I/O	I/O
7	GND	GND
8	GND	GND
9	I/O	I/O
10	I/O	I/O
11	I/O	I/O
12	I/O	I/O
13	I/O	I/O
14	V <sub>CC</sub>	V <sub>CC</sub>
15	V <sub>CC</sub>	V <sub>CC</sub>
16	I/O	I/O
17	I/O	I/O
18	I/O	I/O
19	I/O	I/O
20	I/O	I/O
21	I/O	I/O
22	V <sub>CC</sub>	V <sub>CC</sub>
23	I/O	I/O
24	I/O	I/O
25	I/O	I/O
26	I/O	I/O
27	I/O	I/O
28	I/O	I/O
29	GND	GND
30	I/O	I/O
31	I/O	I/O
32	I/O	I/O
33	I/O	I/O
34	I/O	I/O
35	V <sub>CC</sub>	V <sub>CC</sub>

84-Pin CQFP		
Pin Number	A1020B Function	RT1020 Function
36	I/O	I/O
37	I/O	I/O
38	I/O	I/O
39	I/O	I/O
40	I/O	I/O
41	I/O	I/O
42	I/O	I/O
43	I/O	I/O
44	I/O	I/O
45	I/O	I/O
46	I/O	I/O
47	I/O	I/O
48	I/O	I/O
49	GND	GND
50	GND	GND
51	I/O	I/O
52	I/O	I/O
53	CLKA, I/O	CLKA, I/O
54	I/O	I/O
55	MODE	MODE
56	V <sub>CC</sub>	V <sub>CC</sub>
57	V <sub>CC</sub>	V <sub>CC</sub>
58	I/O	I/O
59	I/O	I/O
60	I/O	I/O
61	SDI, I/O	SDI, Input
62	DCLK, I/O	DCLK, Input
63	PRA, I/O	PRA, I/O
64	PRB, I/O	PRB, I/O
65	I/O	I/O
66	I/O	I/O
67	I/O	I/O
68	I/O	I/O
69	I/O	I/O
70	I/O	I/O

84-Pin CQFP		
Pin Number	A1020B Function	RT1020 Function
71	GND	GND
72	I/O	I/O
73	I/O	I/O
74	I/O	I/O
75	I/O	I/O
76	I/O	I/O
77	V <sub>CC</sub>	V <sub>CC</sub>
78	I/O	I/O
79	I/O	I/O
80	I/O	I/O
81	I/O	I/O
82	I/O	I/O
83	I/O	I/O
84	I/O	I/O

# 132-Pin CQFP

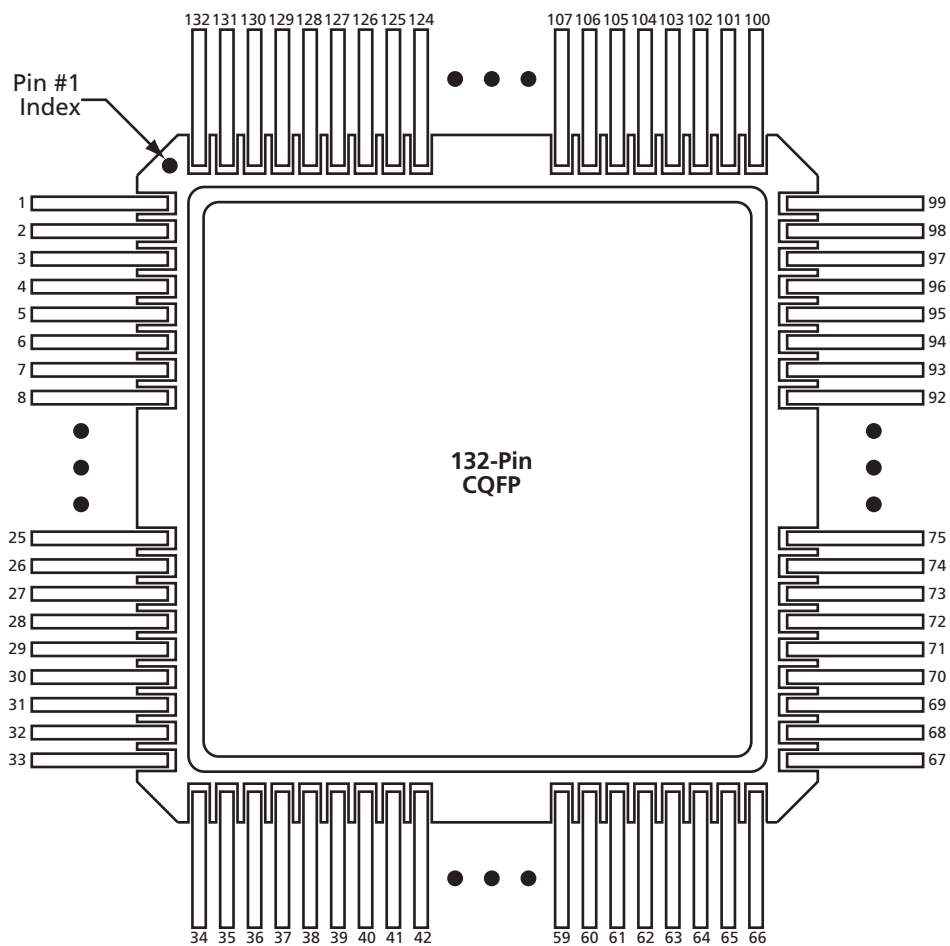


Figure 2-2 • 132-Pin CQFP (Top View)

132-Pin CQFP		
Pin Number	A1425A Function	RT1425A Function
1	NC	NC
2	GND	GND
3	SDI, I/O	SDI, I/O
4	I/O	I/O
5	I/O	I/O
6	I/O	I/O
7	I/O	I/O
8	I/O	I/O
9	MODE	MODE
10	GND	GND
11	V <sub>CC</sub>	V <sub>CC</sub>
12	I/O	I/O
13	I/O	I/O
14	I/O	I/O
15	I/O	I/O
16	I/O	I/O
17	I/O	I/O
18	I/O	I/O
19	I/O	I/O
20	I/O	I/O
21	I/O	I/O
22	V <sub>CC</sub>	V <sub>CC</sub>
23	I/O	I/O
24	I/O	I/O
25	I/O	I/O
26	GND	GND
27	V <sub>CC</sub>	V <sub>CC</sub>
28	I/O	I/O
29	I/O	I/O
30	I/O	I/O
31	I/O	I/O
32	I/O	I/O
33	I/O	I/O
34	NC	NC
35	I/O	I/O

132-Pin CQFP		
Pin Number	A1425A Function	RT1425A Function
36	GND	GND
37	I/O	I/O
38	I/O	I/O
39	I/O	I/O
40	I/O	I/O
41	I/O	I/O
42	GND	GND
43	V <sub>CC</sub>	V <sub>CC</sub>
44	I/O	I/O
45	I/O	I/O
46	I/O	I/O
47	I/O	I/O
48	PRB, I/O	PRB, I/O
49	I/O	I/O
50	HCLK, I/O	HCLK, I/O
51	I/O	I/O
52	I/O	I/O
53	I/O	I/O
54	I/O	I/O
55	I/O	I/O
56	I/O	I/O
57	I/O	I/O
58	GND	GND
59	V <sub>CC</sub>	V <sub>CC</sub>
60	I/O	I/O
61	I/O	I/O
62	I/O	I/O
63	I/O	I/O
64	IOPCL, I/O	IOPCL, I/O
65	GND	GND
66	NC	NC
67	NC	NC
68	I/O	I/O
69	I/O	I/O
70	I/O	I/O

132-Pin CQFP		
Pin Number	A1425A Function	RT1425A Function
71	I/O	I/O
72	I/O	I/O
73	I/O	I/O
74	GND	GND
75	V <sub>CC</sub>	V <sub>CC</sub>
76	I/O	I/O
77	I/O	I/O
78	V <sub>CC</sub>	V <sub>CC</sub>
79	I/O	I/O
80	I/O	I/O
81	I/O	I/O
82	I/O	I/O
83	I/O	I/O
84	I/O	I/O
85	I/O	I/O
86	I/O	I/O
87	I/O	I/O
88	I/O	I/O
89	V <sub>CC</sub>	V <sub>CC</sub>
90	GND	GND
91	V <sub>CC</sub>	V <sub>CC</sub>
92	GND	GND
93	I/O	I/O
94	I/O	I/O
95	I/O	I/O
96	I/O	I/O
97	I/O	I/O
98	IOCLK, I/O	IOCLK, I/O
99	NC	NC
100	NC	NC
101	GND	GND
102	I/O	I/O
103	I/O	I/O
104	I/O	I/O
105	I/O	I/O



132-Pin CQFP		
Pin Number	A1425A Function	RT1425A Function
106	GND	GND
107	V <sub>CC</sub>	V <sub>CC</sub>
108	I/O	I/O
109	I/O	I/O
110	I/O	I/O
111	I/O	I/O
112	I/O	I/O
113	I/O	I/O
114	I/O	I/O
115	I/O	I/O
116	CLKA, I/O	CLKA, I/O
117	CLKB, I/O	CLKB, I/O
118	PRA, I/O	PRA, I/O
119	I/O	I/O
120	I/O	I/O
121	I/O	I/O
122	GND	GND
123	V <sub>CC</sub>	V <sub>CC</sub>
124	I/O	I/O
125	I/O	I/O
126	I/O	I/O
127	I/O	I/O
128	I/O	I/O
129	I/O	I/O
130	I/O	I/O
131	DCLK, I/O	DCLK, I/O
132	NC	NC

# 172-Pin CQFP

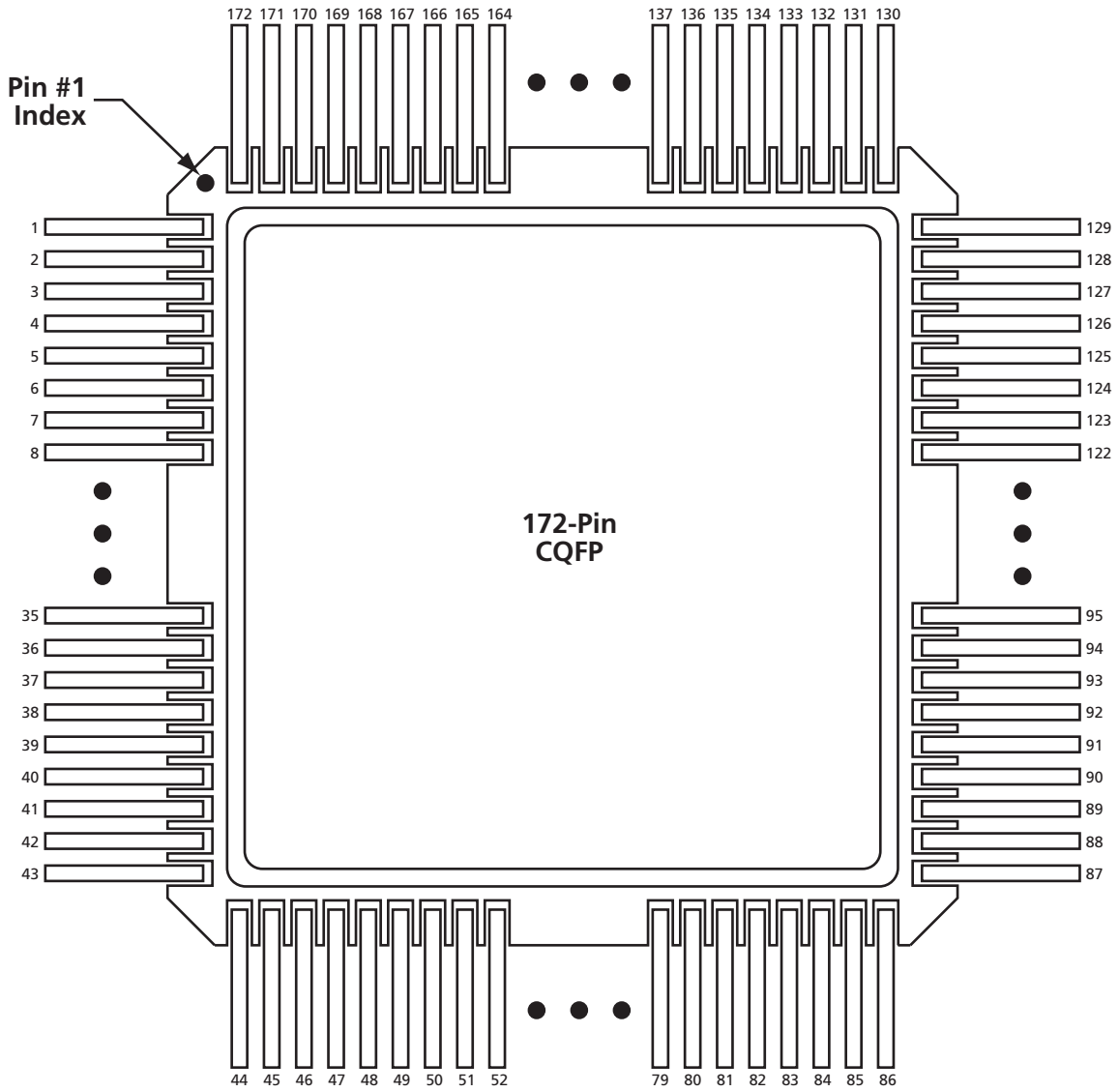


Figure 2-3 • 172-Pin CQFP (Top View)

172-Pin CQFP		
Pin Number	A1280A Function	RT1280A Function
1	MODE	MODE
2	I/O	I/O
3	I/O	I/O
4	I/O	I/O
5	I/O	I/O
6	I/O	I/O
7	GND	GND
8	I/O	I/O
9	I/O	I/O
10	I/O	I/O
11	I/O	I/O
12	V <sub>CC</sub>	V <sub>CC</sub>
13	I/O	I/O
14	I/O	I/O
15	I/O	I/O
16	I/O	I/O
17	GND	GND
18	I/O	I/O
19	I/O	I/O
20	I/O	I/O
21	I/O	I/O
22	GND	GND
23	V <sub>CC</sub>	V <sub>CC</sub>
24	V <sub>CC</sub>	V <sub>CC</sub>
25	I/O	I/O
26	I/O	I/O
27	V <sub>CC</sub>	V <sub>CC</sub>
28	I/O	I/O
29	I/O	I/O
30	I/O	I/O
31	I/O	I/O
32	GND	GND
33	I/O	I/O
34	I/O	I/O
35	I/O	I/O

172-Pin CQFP		
Pin Number	A1280A Function	RT1280A Function
36	I/O	I/O
37	GND	GND
38	I/O	I/O
39	I/O	I/O
40	I/O	I/O
41	I/O	I/O
42	I/O	I/O
43	I/O	I/O
44	I/O	I/O
45	I/O	I/O
46	I/O	I/O
47	I/O	I/O
48	I/O	I/O
49	I/O	I/O
50	V <sub>CC</sub>	V <sub>CC</sub>
51	I/O	I/O
52	I/O	I/O
53	I/O	I/O
54	I/O	I/O
55	GND	GND
56	I/O	I/O
57	I/O	I/O
58	I/O	I/O
59	I/O	I/O
60	I/O	I/O
61	I/O	I/O
62	I/O	I/O
63	I/O	I/O
64	I/O	I/O
65	GND	GND
66	V <sub>CC</sub>	V <sub>CC</sub>
67	I/O	I/O
68	I/O	I/O
69	I/O	I/O
70	I/O	I/O

172-Pin CQFP		
Pin Number	A1280A Function	RT1280A Function
71	I/O	I/O
72	I/O	I/O
73	I/O	I/O
74	I/O	I/O
75	GND	GND
76	I/O	I/O
77	I/O	I/O
78	I/O	I/O
79	I/O	I/O
80	V <sub>CC</sub>	V <sub>CC</sub>
81	I/O	I/O
82	I/O	I/O
83	I/O	I/O
84	I/O	I/O
85	I/O	I/O
86	I/O	I/O
87	I/O	I/O
88	I/O	I/O
89	I/O	I/O
90	I/O	I/O
91	I/O	I/O
92	I/O	I/O
93	I/O	I/O
94	I/O	I/O
95	I/O	I/O
96	I/O	I/O
97	I/O	I/O
98	GND	GND
99	I/O	I/O
100	I/O	I/O
101	I/O	I/O
102	I/O	I/O
103	GND	GND
104	I/O	I/O
105	I/O	I/O

172-Pin CQFP		
Pin Number	A1280A Function	RT1280A Function
106	GND	GND
107	V <sub>CC</sub>	V <sub>CC</sub>
108	GND	GND
109	V <sub>CC</sub>	V <sub>CC</sub>
110	V <sub>CC</sub>	V <sub>CC</sub>
111	I/O	I/O
112	I/O	I/O
113	V <sub>CC</sub>	V <sub>CC</sub>
114	I/O	I/O
115	I/O	I/O
116	I/O	I/O
117	I/O	I/O
118	GND	GND
119	I/O	I/O
120	I/O	I/O
121	I/O	I/O
122	I/O	I/O
123	GND	GND
124	I/O	I/O
125	I/O	I/O
126	I/O	I/O
127	I/O	I/O
128	I/O	I/O
129	I/O	I/O
130	I/O	I/O
131	SDI, I/O	SDI, I/O
132	I/O	I/O
133	I/O	I/O
134	I/O	I/O
135	I/O	I/O
136	V <sub>CC</sub>	V <sub>CC</sub>
137	I/O	I/O
138	I/O	I/O
139	I/O	I/O
140	I/O	I/O

172-Pin CQFP		
Pin Number	A1280A Function	RT1280A Function
141	GND	GND
142	I/O	I/O
143	I/O	I/O
144	I/O	I/O
145	I/O	I/O
146	I/O	I/O
147	I/O	I/O
148	PRA, I/O	PRA, I/O
149	I/O	I/O
150	CLKA, I/O	CLKA, I/O
151	V <sub>CC</sub>	V <sub>CC</sub>
152	GND	GND
153	I/O	I/O
154	CLKB, I/O	CLKB, I/O
155	I/O	I/O
156	PRB, I/O	PRB, I/O
157	I/O	I/O
158	I/O	I/O
159	I/O	I/O
160	I/O	I/O
161	GND	GND
162	I/O	I/O
163	I/O	I/O
164	I/O	I/O
165	I/O	I/O
166	V <sub>CC</sub>	V <sub>CC</sub>
167	I/O	I/O
168	I/O	I/O
169	I/O	I/O
170	I/O	I/O
171	DCLK, I/O	DCLK, I/O
172	I/O	I/O

# 196-Pin CQFP

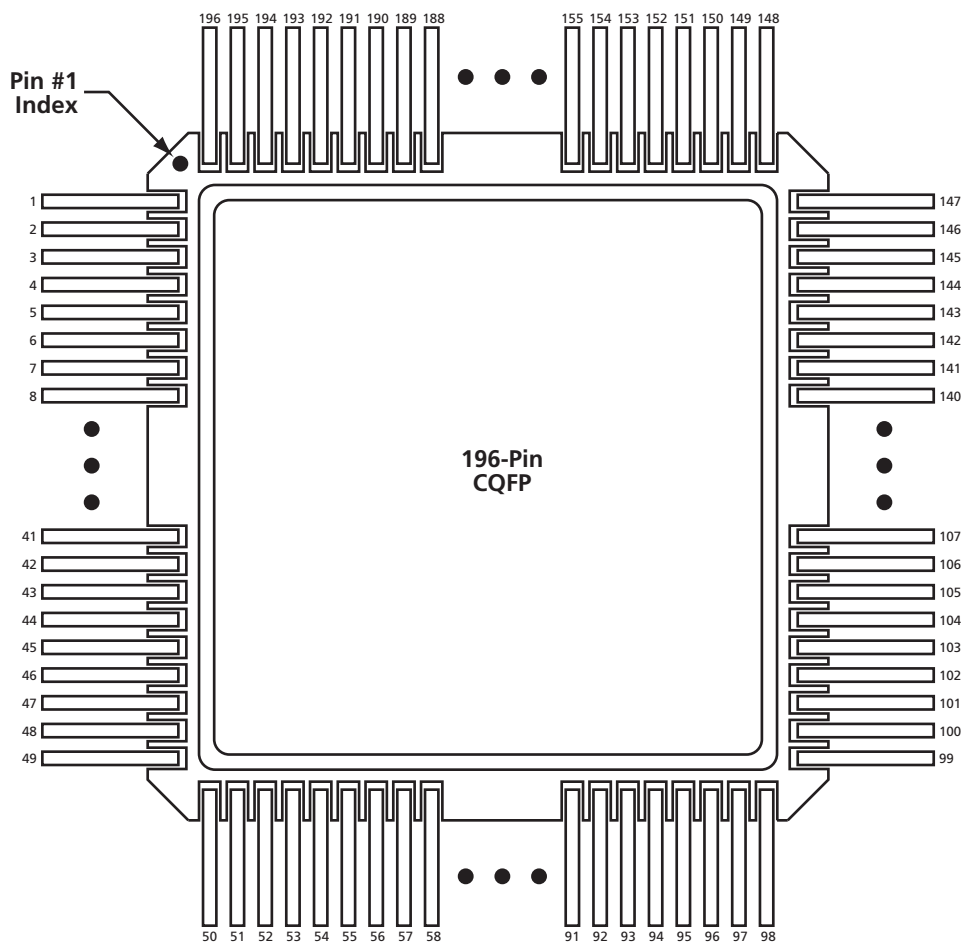


Figure 2-4 • 196-Pin CQFP (Top View)

196-Pin CQFP		
Pin Number	A1460A Function	RT1460A Function
1	GND	GND
2	SDI, I/O	SDI, I/O
3	I/O	I/O
4	I/O	I/O
5	I/O	I/O
6	I/O	I/O
7	I/O	I/O
8	I/O	I/O
9	I/O	I/O
10	I/O	I/O
11	MODE	MODE
12	V <sub>CC</sub>	V <sub>CC</sub>
13	GND	GND
14	I/O	I/O
15	I/O	I/O
16	I/O	I/O
17	I/O	I/O
18	I/O	I/O
19	I/O	I/O
20	I/O	I/O
21	I/O	I/O
22	I/O	I/O
23	I/O	I/O
24	I/O	I/O
25	I/O	I/O
26	I/O	I/O
27	I/O	I/O
28	I/O	I/O
29	I/O	I/O
30	I/O	I/O
31	I/O	I/O
32	I/O	I/O
33	I/O	I/O
34	I/O	I/O
35	I/O	I/O

196-Pin CQFP		
Pin Number	A1460A Function	RT1460A Function
36	I/O	I/O
37	GND	GND
38	V <sub>CC</sub>	V <sub>CC</sub>
39	V <sub>CC</sub>	V <sub>CC</sub>
40	I/O	I/O
41	I/O	I/O
42	I/O	I/O
43	I/O	I/O
44	I/O	I/O
45	I/O	I/O
46	I/O	I/O
47	I/O	I/O
48	I/O	I/O
49	I/O	I/O
50	I/O	I/O
51	GND	GND
52	GND	GND
53	I/O	I/O
54	I/O	I/O
55	I/O	I/O
56	I/O	I/O
57	I/O	I/O
58	I/O	I/O
59	V <sub>CC</sub>	V <sub>CC</sub>
60	I/O	I/O
61	I/O	I/O
62	I/O	I/O
63	I/O	I/O
64	GND	GND
65	I/O	I/O
66	I/O	I/O
67	I/O	I/O
68	I/O	I/O
69	I/O	I/O
70	I/O	I/O

196-Pin CQFP		
Pin Number	A1460A Function	RT1460A Function
71	I/O	I/O
72	I/O	I/O
73	I/O	I/O
74	I/O	I/O
75	PRB, I/O	PRB, I/O
76	I/O	I/O
77	HCLK, I/O	HCLK, I/O
78	I/O	I/O
79	I/O	I/O
80	I/O	I/O
81	I/O	I/O
82	I/O	I/O
83	I/O	I/O
84	I/O	I/O
85	I/O	I/O
86	GND	GND
87	I/O	I/O
88	I/O	I/O
89	I/O	I/O
90	I/O	I/O
91	I/O	I/O
92	I/O	I/O
93	I/O	I/O
94	V <sub>CC</sub>	V <sub>CC</sub>
95	I/O	I/O
96	I/O	I/O
97	I/O	I/O
98	GND	GND
99	I/O	I/O
100	IOPCL, I/O	IOPCL, I/O
101	GND	GND
102	I/O	I/O
103	I/O	I/O
104	I/O	I/O
105	I/O	I/O

196-Pin CQFP		
Pin Number	A1460A Function	RT1460A Function
106	I/O	I/O
107	I/O	I/O
108	I/O	I/O
109	I/O	I/O
110	V <sub>CC</sub>	V <sub>CC</sub>
111	V <sub>CC</sub>	V <sub>CC</sub>
112	GND	GND
113	I/O	I/O
114	I/O	I/O
115	I/O	I/O
116	I/O	I/O
117	I/O	I/O
118	I/O	I/O
119	I/O	I/O
120	I/O	I/O
121	I/O	I/O
122	I/O	I/O
123	I/O	I/O
124	I/O	I/O
125	I/O	I/O
126	I/O	I/O
127	I/O	I/O
128	I/O	I/O
129	I/O	I/O
130	I/O	I/O
131	I/O	I/O
132	I/O	I/O
133	I/O	I/O
134	I/O	I/O
135	I/O	I/O
136	I/O	I/O
137	V <sub>CC</sub>	V <sub>CC</sub>
138	GND	GND
139	GND	GND
140	V <sub>CC</sub>	V <sub>CC</sub>

196-Pin CQFP		
Pin Number	A1460A Function	RT1460A Function
141	I/O	I/O
142	I/O	I/O
143	I/O	I/O
144	I/O	I/O
145	I/O	I/O
146	I/O	I/O
147	I/O	I/O
148	IOCLK, I/O	IOCLK, I/O
149	GND	GND
150	I/O	I/O
151	I/O	I/O
152	I/O	I/O
153	I/O	I/O
154	I/O	I/O
155	V <sub>CC</sub>	V <sub>CC</sub>
156	I/O	I/O
157	I/O	I/O
158	I/O	I/O
159	I/O	I/O
160	I/O	I/O
161	I/O	I/O
162	GND	GND
163	I/O	I/O
164	I/O	I/O
165	I/O	I/O
166	I/O	I/O
167	I/O	I/O
168	I/O	I/O
169	I/O	I/O
170	I/O	I/O
171	I/O	I/O
172	CLKA, I/O	CLKA, I/O
173	CLKB, I/O	CLKB, I/O
174	PRA, I/O	PRA, I/O
175	I/O	I/O

196-Pin CQFP		
Pin Number	A1460A Function	RT1460A Function
176	I/O	I/O
177	I/O	I/O
178	I/O	I/O
179	I/O	I/O
180	I/O	I/O
181	I/O	I/O
182	I/O	I/O
183	GND	GND
184	I/O	I/O
185	I/O	I/O
186	I/O	I/O
187	I/O	I/O
188	I/O	I/O
189	V <sub>CC</sub>	V <sub>CC</sub>
190	I/O	I/O
191	I/O	I/O
192	I/O	I/O
193	GND	GND
194	I/O	I/O
195	I/O	I/O
196	DCLK, I/O	DCLK, I/O

# 256-Pin CQFP

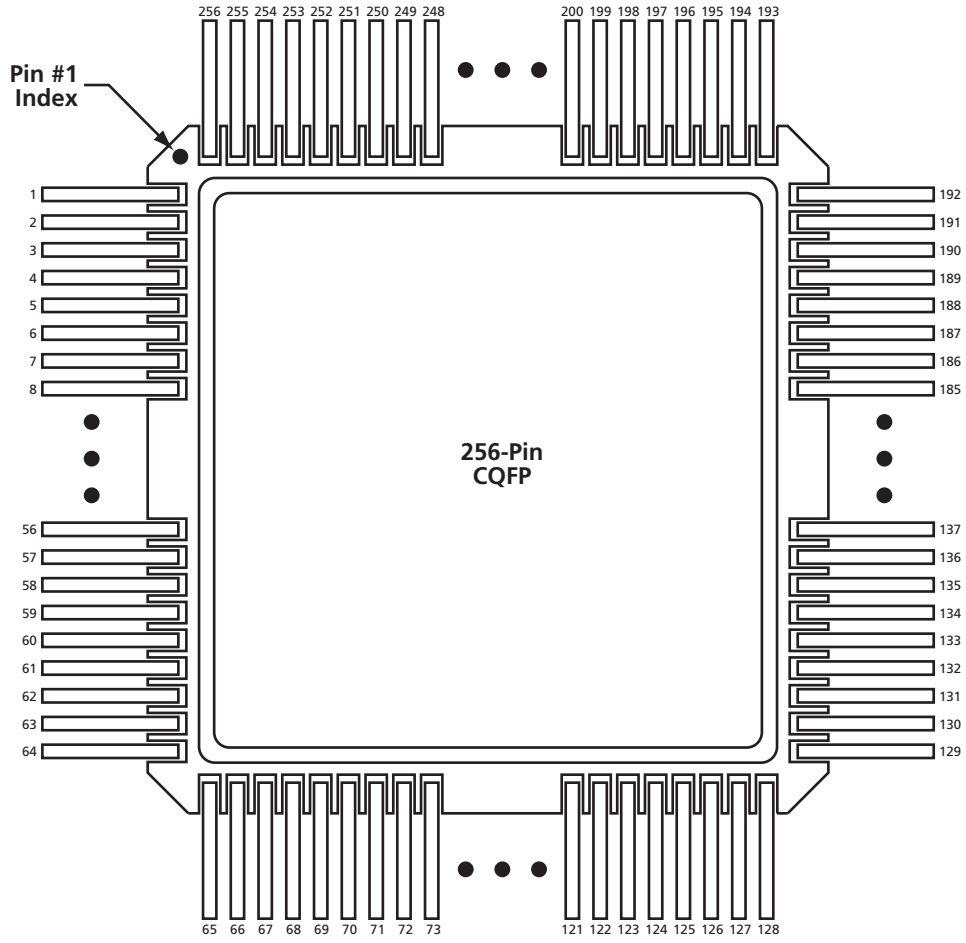


Figure 2-5 • 256-Pin CQFP (Top View)



256-Pin CQFP		
Pin Number	A14100A Function	RT14100A Function
1	GND	GND
2	SDI, I/O	SDI, I/O
3	I/O	I/O
4	I/O	I/O
5	I/O	I/O
6	I/O	I/O
7	I/O	I/O
8	I/O	I/O
9	I/O	I/O
10	I/O	I/O
11	MODE	MODE
12	I/O	I/O
13	I/O	I/O
14	I/O	I/O
15	I/O	I/O
16	I/O	I/O
17	I/O	I/O
18	I/O	I/O
19	I/O	I/O
20	I/O	I/O
21	I/O	I/O
22	I/O	I/O
23	I/O	I/O
24	I/O	I/O
25	I/O	I/O
26	I/O	I/O
27	I/O	I/O
28	V <sub>CC</sub>	V <sub>CC</sub>
29	GND	GND
30	V <sub>CC</sub>	V <sub>CC</sub>
31	GND	GND
32	I/O	I/O
33	I/O	I/O
34	I/O	I/O
35	I/O	I/O

256-Pin CQFP		
Pin Number	A14100A Function	RT14100A Function
36	I/O	I/O
37	I/O	I/O
38	I/O	I/O
39	I/O	I/O
40	I/O	I/O
41	I/O	I/O
42	I/O	I/O
43	I/O	I/O
44	I/O	I/O
45	I/O	I/O
46	V <sub>CC</sub>	V <sub>CC</sub>
47	I/O	I/O
48	I/O	I/O
49	I/O	I/O
50	I/O	I/O
51	I/O	I/O
52	I/O	I/O
53	I/O	I/O
54	I/O	I/O
55	I/O	I/O
56	I/O	I/O
57	I/O	I/O
58	I/O	I/O
59	GND	GND
60	I/O	I/O
61	I/O	I/O
62	I/O	I/O
63	I/O	I/O
64	I/O	I/O
65	I/O	I/O
66	I/O	I/O
67	I/O	I/O
68	I/O	I/O
69	I/O	I/O
70	I/O	I/O

256-Pin CQFP		
Pin Number	A14100A Function	RT14100A Function
71	I/O	I/O
72	I/O	I/O
73	I/O	I/O
74	I/O	I/O
75	I/O	I/O
76	I/O	I/O
77	I/O	I/O
78	I/O	I/O
79	I/O	I/O
80	I/O	I/O
81	I/O	I/O
82	I/O	I/O
83	I/O	I/O
84	I/O	I/O
85	I/O	I/O
86	I/O	I/O
87	I/O	I/O
88	I/O	I/O
89	I/O	I/O
90	PRB, I/O	PRB, I/O
91	GND	GND
92	V <sub>CC</sub>	V <sub>CC</sub>
93	GND	GND
94	V <sub>CC</sub>	V <sub>CC</sub>
95	I/O	I/O
96	HCLK, I/O	HCLK, I/O
97	I/O	I/O
98	I/O	I/O
99	I/O	I/O
100	I/O	I/O
101	I/O	I/O
102	I/O	I/O
103	I/O	I/O
104	I/O	I/O
105	I/O	I/O

256-Pin CQFP		
Pin Number	A14100A Function	RT14100A Function
106	I/O	I/O
107	I/O	I/O
108	I/O	I/O
109	I/O	I/O
110	GND	GND
111	I/O	I/O
112	I/O	I/O
113	I/O	I/O
114	I/O	I/O
115	I/O	I/O
116	I/O	I/O
117	I/O	I/O
118	I/O	I/O
119	I/O	I/O
120	I/O	I/O
121	I/O	I/O
122	I/O	I/O
123	I/O	I/O
124	I/O	I/O
125	I/O	I/O
126	I/O	I/O
127	IOPCL, I/O	IOPCL, I/O
128	GND	GND
129	I/O	I/O
130	I/O	I/O
131	I/O	I/O
132	I/O	I/O
133	I/O	I/O
134	I/O	I/O
135	I/O	I/O
136	I/O	I/O
137	I/O	I/O
138	I/O	I/O
139	I/O	I/O
140	I/O	I/O

256-Pin CQFP		
Pin Number	A14100A Function	RT14100A Function
141	V <sub>CC</sub>	V <sub>CC</sub>
142	I/O	I/O
143	I/O	I/O
144	I/O	I/O
145	I/O	I/O
146	I/O	I/O
147	I/O	I/O
148	I/O	I/O
149	I/O	I/O
150	I/O	I/O
151	I/O	I/O
152	I/O	I/O
153	I/O	I/O
154	I/O	I/O
155	I/O	I/O
156	I/O	I/O
157	I/O	I/O
158	GND	GND
159	V <sub>CC</sub>	V <sub>CC</sub>
160	GND	GND
161	V <sub>CC</sub>	V <sub>CC</sub>
162	I/O	I/O
163	I/O	I/O
164	I/O	I/O
165	I/O	I/O
166	I/O	I/O
167	I/O	I/O
168	I/O	I/O
169	I/O	I/O
170	I/O	I/O
171	I/O	I/O
172	I/O	I/O
173	I/O	I/O
174	V <sub>CC</sub>	V <sub>CC</sub>
175	GND	GND

256-Pin CQFP		
Pin Number	A14100A Function	RT14100A Function
176	GND	GND
177	I/O	I/O
178	I/O	I/O
179	I/O	I/O
180	I/O	I/O
181	I/O	I/O
182	I/O	I/O
183	I/O	I/O
184	I/O	I/O
185	I/O	I/O
186	I/O	I/O
187	I/O	I/O
188	IOCLK, I/O	IOCLK, I/O
189	GND	GND
190	I/O	I/O
191	I/O	I/O
192	I/O	I/O
193	I/O	I/O
194	I/O	I/O
195	I/O	I/O
196	I/O	I/O
197	I/O	I/O
198	I/O	I/O
199	I/O	I/O
200	I/O	I/O
201	I/O	I/O
202	I/O	I/O
203	I/O	I/O
204	I/O	I/O
205	I/O	I/O
206	I/O	I/O
207	I/O	I/O
208	I/O	I/O
209	I/O	I/O
210	I/O	I/O

256-Pin CQFP		
Pin Number	A14100A Function	RT14100A Function
211	I/O	I/O
212	I/O	I/O
213	I/O	I/O
214	I/O	I/O
215	I/O	I/O
216	I/O	I/O
217	I/O	I/O
218	I/O	I/O
219	CLKA, I/O	CLKA, I/O
220	CLKB, I/O	CLKB, I/O
221	V <sub>CC</sub>	V <sub>CC</sub>
222	GND	GND
223	V <sub>CC</sub>	V <sub>CC</sub>
224	GND	GND
225	PRA, I/O	PRA, I/O
226	I/O	I/O
227	I/O	I/O
228	I/O	I/O
229	I/O	I/O
230	I/O	I/O
231	I/O	I/O
232	I/O	I/O
233	I/O	I/O
234	I/O	I/O
235	I/O	I/O
236	I/O	I/O
237	I/O	I/O
238	I/O	I/O
239	I/O	I/O
240	GND	GND
241	I/O	I/O
242	I/O	I/O
243	I/O	I/O
244	I/O	I/O
245	I/O	I/O

256-Pin CQFP		
Pin Number	A14100A Function	RT14100A Function
246	I/O	I/O
247	I/O	I/O
248	I/O	I/O
249	I/O	I/O
250	I/O	I/O
251	I/O	I/O
252	I/O	I/O
253	I/O	I/O
254	I/O	I/O
255	I/O	I/O
256	DCLK, I/O	DCLK, I/O



# Datasheet Information

## List of Changes

The following table lists critical changes that were made in the current version of the document.

Previous Version	Changes in Current Version (v3.1)	Page
v3.0	The following pins changed in the "84-Pin CQFP" table: <ul style="list-style-type: none"> <li>Pin 61 change to SDI, Input for the RT1020 device.</li> <li>Pin 62 change to DCLK, Input for the RT1020 device.</li> </ul>	2-2
	The following pins changed in the "256-Pin CQFP" table: <ul style="list-style-type: none"> <li>Pin 124 change to I/O for the A14100A and RT14100A devices.</li> <li>Pin 127 changed to IOPCL for the A14100A and RT14100A devices.</li> </ul>	2-14

## Datasheet Categories

In order to provide the latest information to designers, some datasheets are published before data has been fully characterized. Datasheets are designated as "Product Brief," "Advanced," "Production," and "Datasheet Supplement." The definitions of these categories are as follows:

### Product Brief

The product brief is a summarized version of a datasheet (advanced or production) containing general product information. This brief gives an overview of specific device and family information.

### Advanced

This datasheet version contains initial estimated information based on simulation, other products, devices, or speed grades. This information can be used as estimates, but not for production.

### Unmarked (production)

This datasheet version contains information that is considered to be final.

### Datasheet Supplement

The datasheet supplement gives specific device information for a derivative family that differs from the general family datasheet. The supplement is to be used in conjunction with the datasheet to obtain more detailed information and for specifications that do not differ between the two families.

## Export Administration Regulations (EAR) or International Traffic in Arms Regulations (ITAR)

The product described in this datasheet could be subject to either the Export Administration Regulations (EAR) or in some cases the International Traffic in Arms Regulations (ITAR). They could require an approved export license prior to export from the United States. An export includes release of product or disclosure of technology to a foreign national inside or outside the United States.

Actel and the Actel logo are registered trademarks of Actel Corporation.  
All other trademarks are the property of their owners.



<http://www.actel.com>

**Actel Corporation**

2061 Stierlin Court  
Mountain View, CA  
94043-4655 USA

**Phone** 650.318.4200  
**Fax** 650.318.4600

**Actel Europe Ltd.**

Dunlop House, Riverside Way  
Camberley, Surrey GU15 3YL  
United Kingdom

**Phone** +44 (0)1276 401 450  
**Fax** +44 (0)1276 401 490

**Actel Japan**

EXOS Ebisu Bldg. 4F  
1-24-14 Ebisu Shibuya-ku  
Tokyo 150 Japan

**Phone** +81.03.3445.7671  
**Fax** +81.03.3445.7668

**Actel Hong Kong**

39th Floor, One Pacific Place  
88 Queensway, Admiralty  
Hong Kong

**Phone** +852.227.35712  
**Fax** +852.227.35999