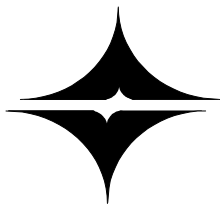


DATE : 2000. 07. 11.

SPECIFICATION

PRODUCT : LED DISPLAY

MODEL : ODS - N3056KDM



OPTO ELECTRONICS CO., LTD.

1066-12 YOUNJANG-RI, JINAN-UP, JINAN-GUN

JEON-BUK, KOREA.

TEL : 82-63-433-4566~8

FAX : 82-63-433-4569

<http://www.e-oec.com>

OPTO ELECTRONICS CO., LTD. (株) 元光電子	T I T L E L E D D I S P L A Y ODS - N3056KDM	문서 번호	OQSS-SD-219
		개정 번호	IR
		개정 일자	2000년 07월 11일
		P A G E	1 OF 1

1. GENERAL DESCRIPTION

The ODS-N3056 series of single digit consisted seven segments are designed to be used even in bright location.

The character height is 0.56 inch (approximately 14.20mm) and a choice of four emitting colors (RED, GREEN, ORANGE, YELLOW) and two configurations (common ANODE, common CATHODE) are possible

2. FEATURES

- High brightness with high contrast
- Wide angle viewing
- Low power consumption
- Solid state reliability
- Long operation life time

3. ABSOLUTE MAXIMUM RATINGS.

(Ta=25℃)

Parameter	Symbol	Rating	Unit
Power Dissipation	P _D	1,296	mW
Power Dissipation	P _D /a chip	54	mW
Forward Current	I _F	20	mA
Peak Forward Current *1	I _{FP}	50	mA
Reverse Voltage	V _R /a chip	6	V
Operating Temperature	T _{opr}	-25 ~ +70	℃
Storage Temperature	T _{stg}	-30 ~ +80	℃
Soldering Temperature	T _{sol}	260℃ within 5 seconds	

4. ELECTRO - OPTICAL CHARACTERISTICS PER A CHIP

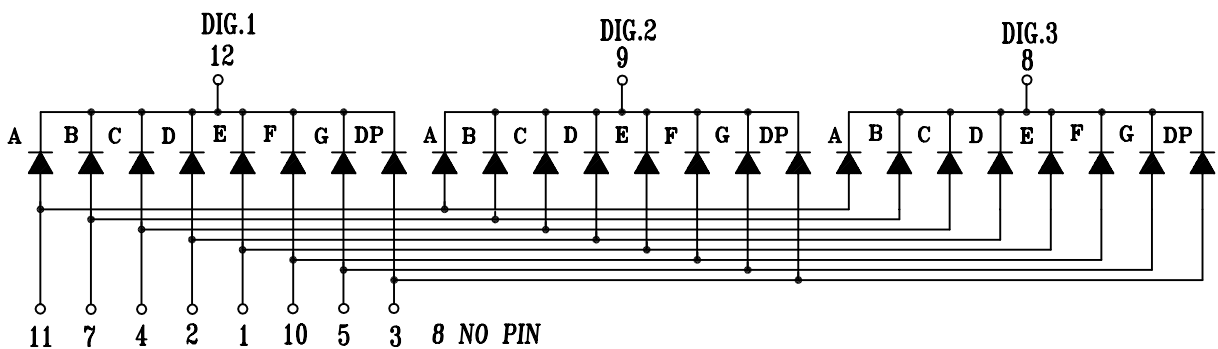
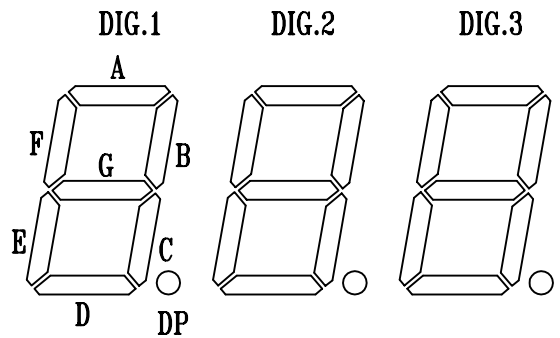
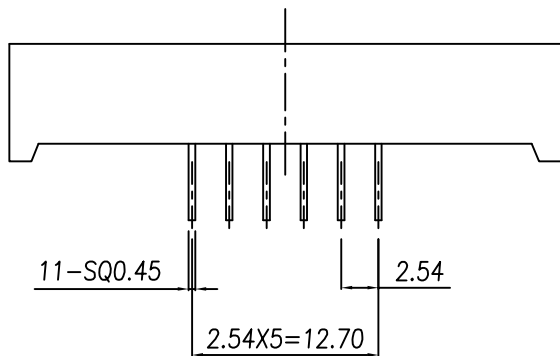
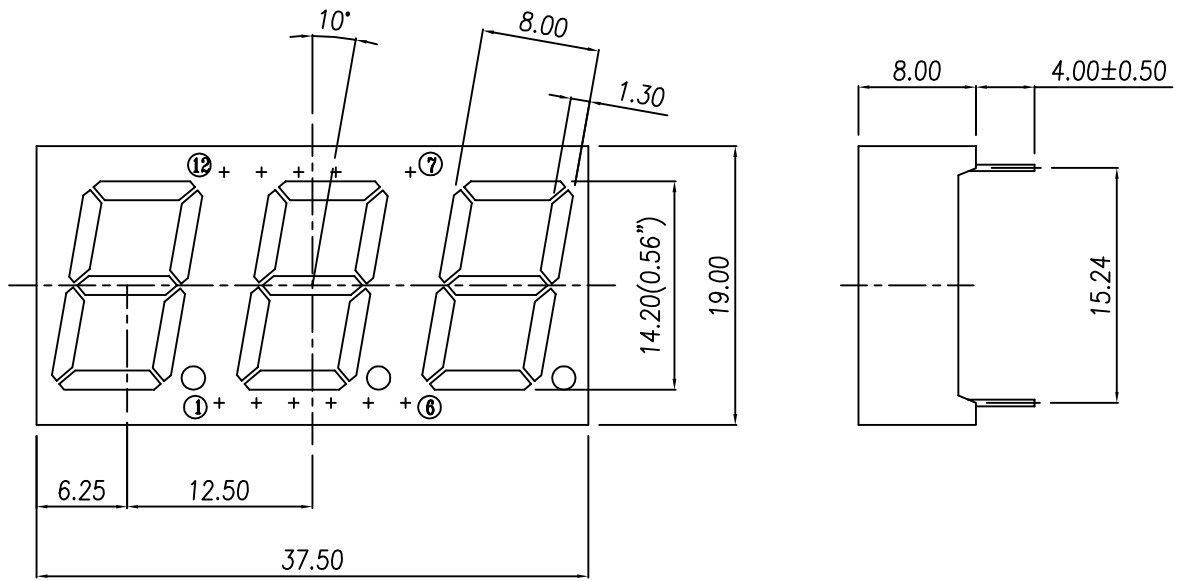
(Ta=25℃)

Parameter	Symbol	Condition	Min	Typ	Max	Unit
Forward Voltage	V _F	I _F =20mA	-	2.10	2.70	V
Luminous Intensity *2	I _V	I _F =20mA	100	180	-	mcd
Peak Emission Wavelength	λ _p	I _F =20mA	-	605	-	nm
Spectrum Radiation Bandwidth	Δλ	I _F =20mA	-	40	-	nm
Reverse Current	I _R	V _R =6V	-		100	μA

NOTE

*1. Duty Ratio= ¼

*2. Assembled Into T ¾ Plastic Package



<COMMON CATHODE>

DATE	2000. 07. 11.	UNLESS OTHERWISE SPECIFIED DIMENSIONS ARE IN MILLIMETERS AND TOLERANCES ARE AS FOLLOWS:	TITLE	DRAWN	CHECKED	APPROVED													
UNIT	mm			<table border="1"> <tr><td>0 - 6</td><td>±0.1</td></tr> <tr><td>6 - 15</td><td>±0.15</td></tr> <tr><td>15 - 60</td><td>±0.2</td></tr> <tr><td>60 - 200</td><td>±0.3</td></tr> <tr><td>200 - ∞</td><td>±0.5</td></tr> </table>	0 - 6	±0.1	6 - 15	±0.15	15 - 60	±0.2	60 - 200	±0.3	200 - ∞	±0.5		<p>ODS-N3056KDM</p>			
0 - 6	±0.1																		
6 - 15	±0.15																		
15 - 60	±0.2																		
60 - 200	±0.3																		
200 - ∞	±0.5																		
SCALE	N/S																		
MATERIAL																			
		ANGULAR TOLERANCE ±0.5°																	



OPTO ELECTRONICS CO.,LTD

D.W.G NO.

OSD01 - 219