

THIS DRAWING IS UNPUBLISHED. RELEASED FOR PUBLICATION
 © COPYRIGHT - BY TYCO ELECTRONICS CORPORATION. ALL RIGHTS RESERVED.

LOC	DIST	REVISIONS					
HM	00	P	LTR	DESCRIPTION	DATE	DWN	APVD
			A	REL PER NSD-08-023	07APR08	LH	JH

1. OPTICAL PERFORMANCE PER OS1 AND OM1 ISO/IEC 11801.

2 BARE ALUMINUM INTERLOCKING ARMOR.

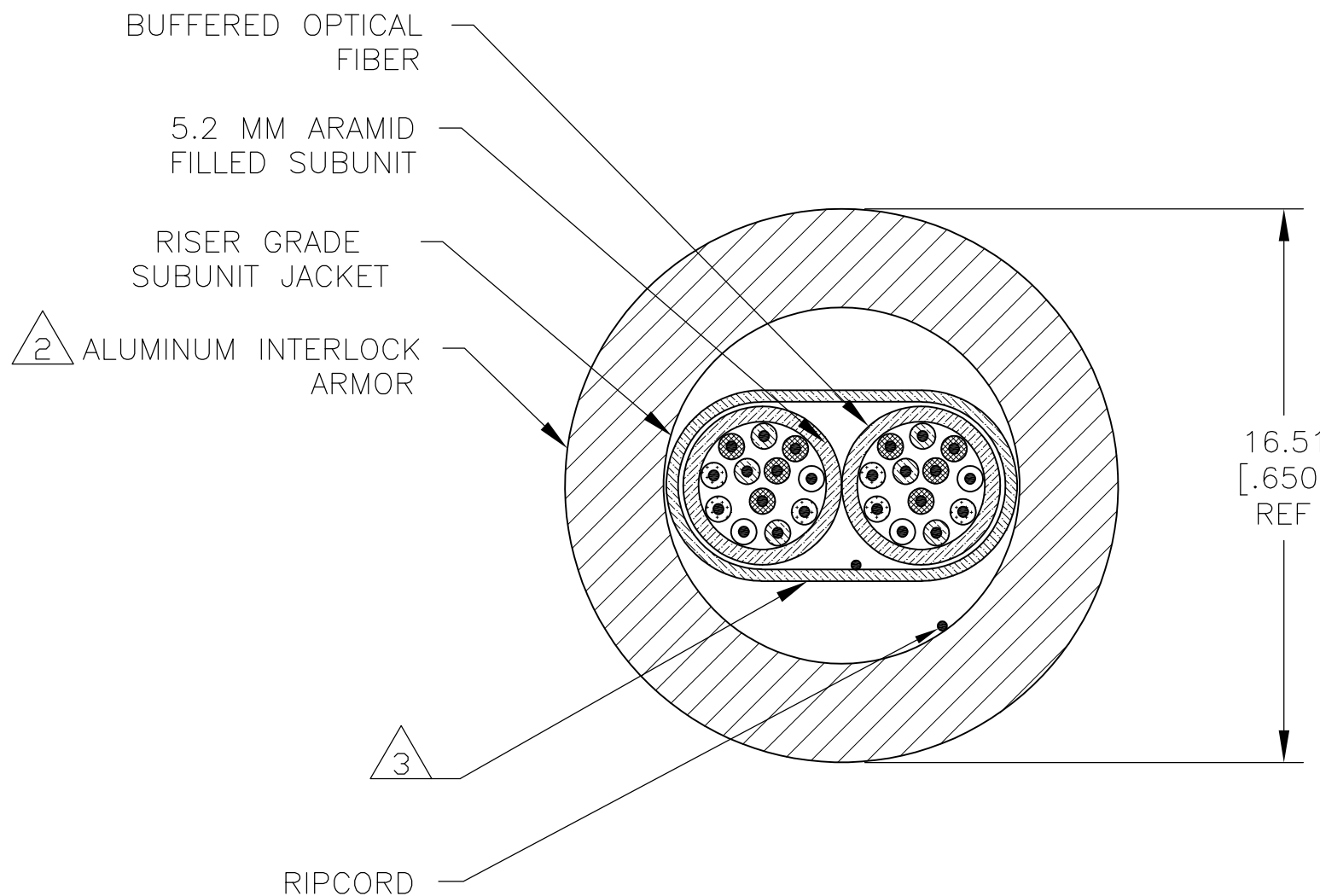
3 INNER CABLE FLAME RATING OFNR, INNER CABLE CABLE P/N 4-1664084-1.

4. RATINGS:

- A. STORAGE TEMPERATURE: -40°C TO +85°C.
- B. OPERATING TEMPERATURE: -20°C TO +75°C.
- C. INSTALLATION TEMPERATURE: -0°C TO +60°C.
- D. MAX. TENSILE LOAD FOR INSTALLATION: 150LB [667N].
- E. MAX. TENSILE LOAD FOR OPERATION: 45LB [200N].
- F. MIN. BEND RADIUS AT INSTALLATION LOAD: 11.2in [28.5cm].
- G. MIN. BEND RADIUS, UNLOADED (FREE): 7.5in [19.0cm].
- I. CABLE WEIGHT: 161 lb/kft [240 kg/km].

5. CABLE MANUFACTURED IN ACCORDANCE WITH THE FOLLOWING STANDARDS:

- INTERNATIONAL: ISO/IEC 11801
- EUROPEAN: EN 50173
- NORTH AMERICAN: ANSI/TIA/EIA-568-B3
- ANSI/ICEA S-87-640
- ANSI/ICEA S-83-596
- TELCORDIA GR-20,
- TELCORDIA GR-409



1777212-1
PART NO.

THIS DRAWING IS A CONTROLLED DOCUMENT.		DWN	L. HALL	31MAR2008	Tyco Electronics Corporation Harrisburg, PA 17105-3608			
DIMENSIONS: mm [INCHES]		CHK	J. HOFFER	07APR2008	NAME			
		APVD	J. HOFFER	07APR2008	BARE ARMORED CABLE, 24 FIBER DISTRIBUTION HYBRID 12 SM, 12 62.5/125 RISER RATED			
TOLERANCES UNLESS OTHERWISE SPECIFIED:		PRODUCT SPEC		APPLICATION SPEC				
0 PLC ± - 1 PLC ± - 2 PLC ± - 3 PLC ± - 4 PLC ± - ANGLES ± -		WEIGHT		SIZE		CAGE CODE	DRAWING NO	RESTRICTED TO
MATERIAL		-		A3		00779	C-1777212	-
FINISH		-		CUSTOMER DRAWING		SCALE	NTS	SHEET 1 OF 1
						REV		A

Mouser Electronics

Authorized Distributor

Click to View Pricing, Inventory, Delivery & Lifecycle Information:

[TE Connectivity:](#)

[1777212-1](#)