

PRODUCT NUMBER  
10075025-XXX-XXXLF

PLATING

S = 0.38µm GOLD/GXT ON CONTACT AREA  
2µm MIN MATTE TIN ON TAIL

G = 0.76µm GOLD/GXT ON CONTACT AREA  
2µm MIN MATTE TIN ON TAIL

F = GOLD FLASH ON CONTACT AREA  
2µm MIN MATTE TIN ON TAIL

1.27µm MIN NICKEL UNDERPLATING

LEAD FREE  
RoHS COMPATIBLE  
NOTE 7

PACKAGING  
NOTE 5

TOTAL NUMBER OF  
POSITIONS 04 TO 50

PIN STYLE	TAIL LENGTH	MISSING PIN POSITION
01	2.00	
02	2.50	
03	2.00	A01

NOTES:

- MATERIAL HOUSING: HIGH TEMP. THERMOPLASTIC UL 94V-0, COLOR NATURAL
- MATERIAL TERMINAL: COPPER ALLOY
- TO DETERMINE DIMENSIONS:  
N = NUMBER OF POSITIONS PER ROW
- 7N MIN. PIN RETENTION IN EITHER DIRECTION.
- PACKAGING:  
= STANDARD PACKAGING IN POLYBAG  
U = TUBE AVAILABLE FROM 03 TO 25 POS PER ROW  
A = TAPE & REEL WITH PICK UP CAP INSTALLED  
SEE TA-884 FOR PRODUCT AVAILABILITY
- POLARIZATION :  
- SEE TABLE FOR AVAILABILITY  
- FOR NEW REQUEST, PLEASE TO CONTACT FCJ

7. RoHS COMPATIBLE PRODUCT SPECIFICATIONS

a - PLATING:

- "LF" MEANS THE PRODUCT IS LEAD-FREE,  
2µm MINIMUM MATTE TIN OVER 1.27µm  
MINIMUM NICKEL UNDERPLATE.

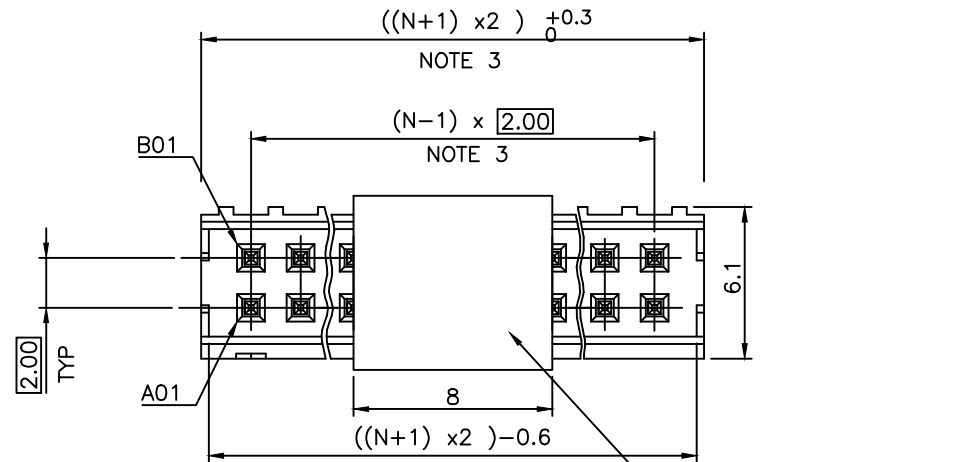
b - MANUFACTURING PROCESS COMPATIBILITY

- THE HOUSING WILL WITHSTAND EXPOSURE TO  
260°C PEAK TEMPERATURE FOR 30 SECONDS MAX  
IN A CONVECTION, INFRA-RED, OR VAPOR PHASE  
OR REFLOW OVEN

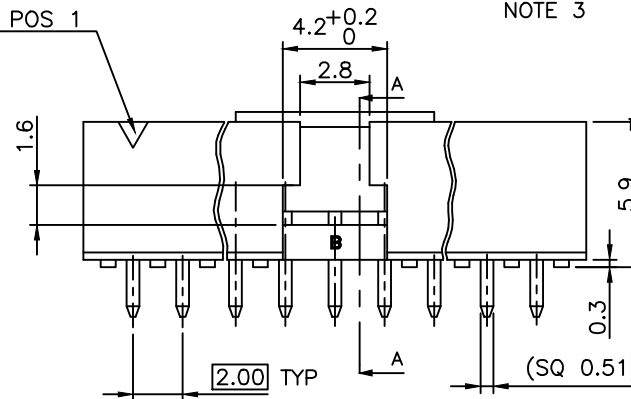
c - LABELLING:

- MEETS PACKAGING SPECS AS PER GS-14-920

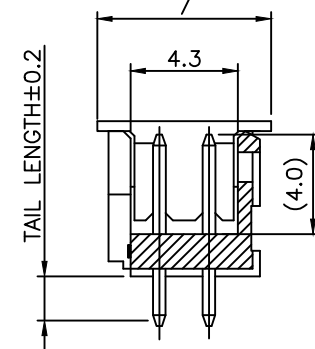
d - LEGAL STATEMENT: SEE GS-47-0004



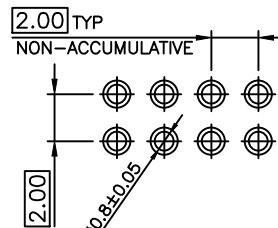
INDICATES POS 1



OPTIONAL PICK UP CAP

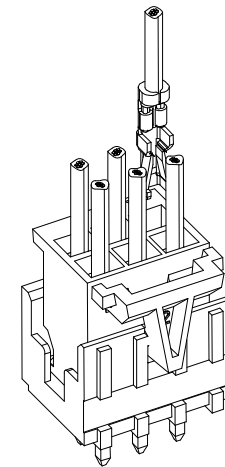
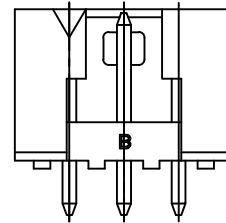
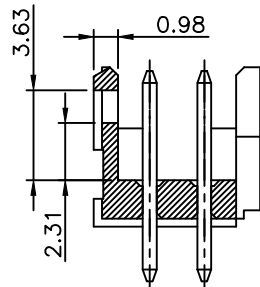
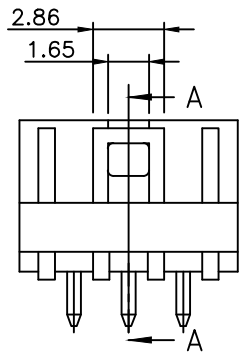


SECTION A-A

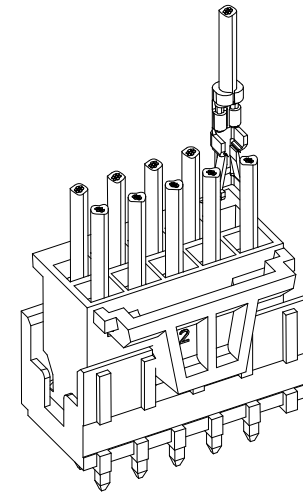
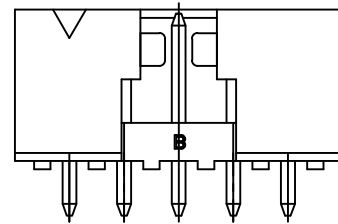
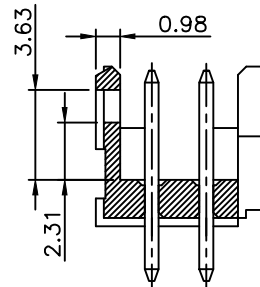
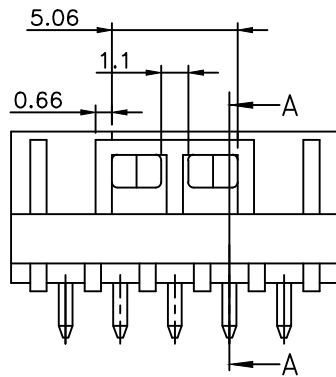


RECOMMENDED 1.6mm THICK PCB LAYOUT  
STENCIL DESIGN RECOMMENDATIONS  
AS PER TA-896

mat'l. code		surface		tolerance		projection	product family	
		ISO 1302	ISO 406	ISO 1101	mm		MINITEK	
ltr	ecn no dr	date		tolerances unless otherwise specified		title		
H	B-19190	LMU	14.10.24	angles	.x ±0.3	UNSHR.HEADER		
J	B-19408	AMA	14.11.12	linear	.xx ±0.15	2.00 mm VERTICAL PIP		
K	B-19797	AMA	14.12.16		.xxx ±0.05	scale 5:1	dwg no	sheet 1 of 2 size
L	B-20024	BVE	15.01.20	dr	L MULIN	07.01.04	10075025	A3
M	B-20079	AMA	15.01.23	engr	J.COMPAGNON	07.01.04	type	CUSTOMER Drawing
N	B-20254	LMU	15.02.16	chr				
P	B-21209	AMA	15.06.22	appd	JM.C	07.01.04		
sheet	revision	P	B					
index	sheet	1	2					



2x3 POS AND 2x4 POS CONFIGURATION  
NO LATCHING AVAILABLE FOR 2x2 POS



2x5 POS UP TO 2x25 POS CONFIGURATION

LATCHING FEATURES WHEN USED IN COMBINATION  
WITH ACTIVE LATCH HOUSING 10073599

mat'l. code		surface		tolerance		projection		product family	
		ISO 1302		ISO 406 ISO 1101		mm		MINITEK	
ltr		ecn no		dr		date		title	
A		F06-0113		LMU		08.01.07		UNSHR.HEADER	
B		B-17556		JCO		14.04.23		2.00 mm VERTICAL PIP	
				angles		linear		scale 5:1	
						.x ±0.3		dwg no	
						.xx ±0.15		sheet 2 of 2	
						.xxx ±0.05		size	
				dr		L MULIN		07.12.04	
				enr		J.COMPAGNON		07.12.04	
				chr				10075025	
				appd		JM.C		07.12.04	
sheet		revision						type	
index		sheet						CUSTOMER Drawing	



Copyright FCI