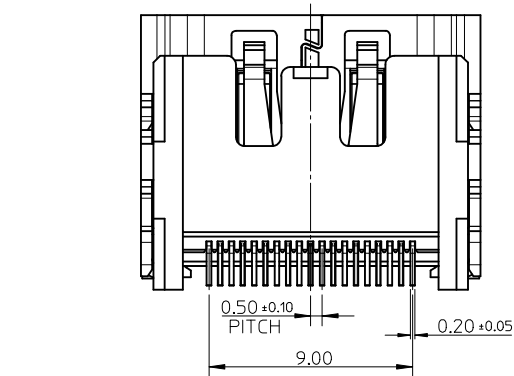
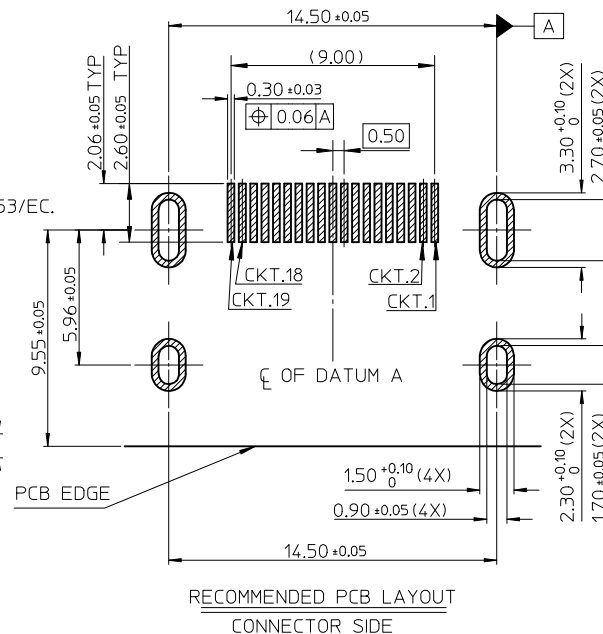
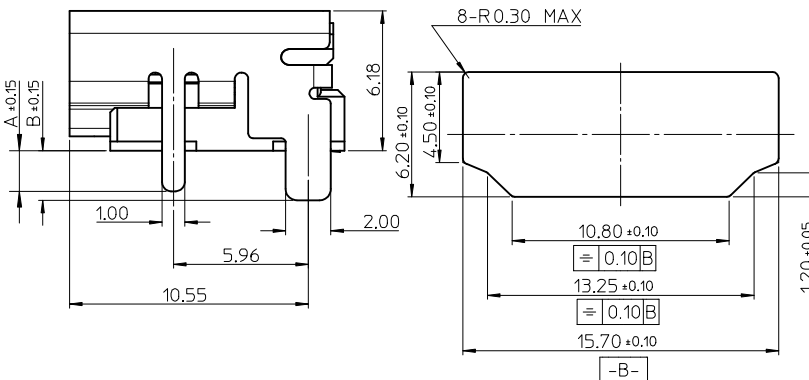
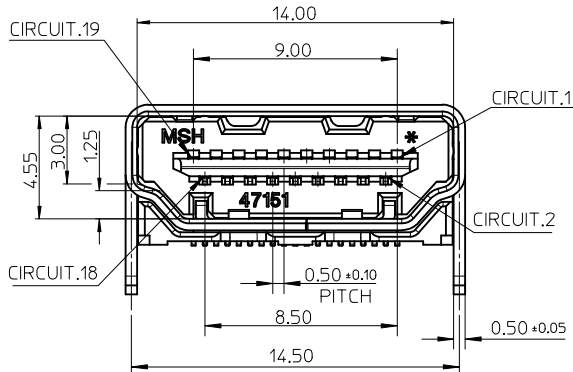
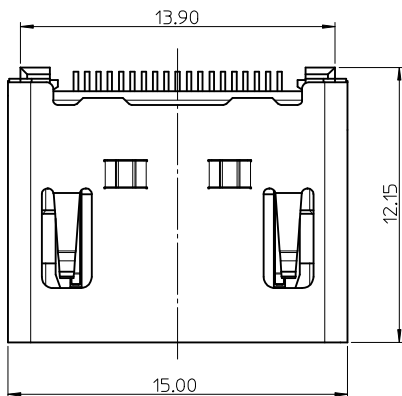
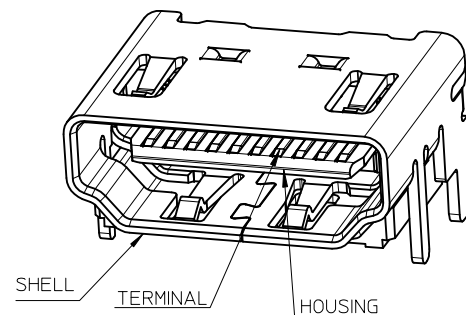


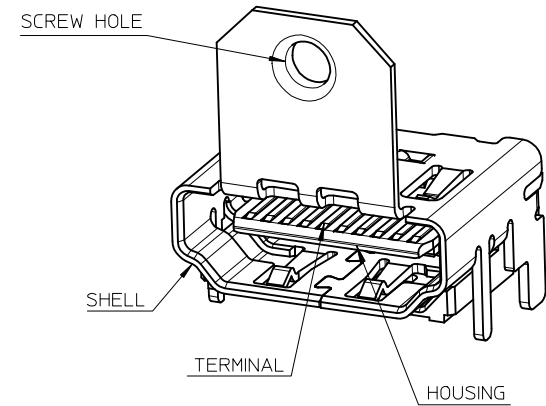
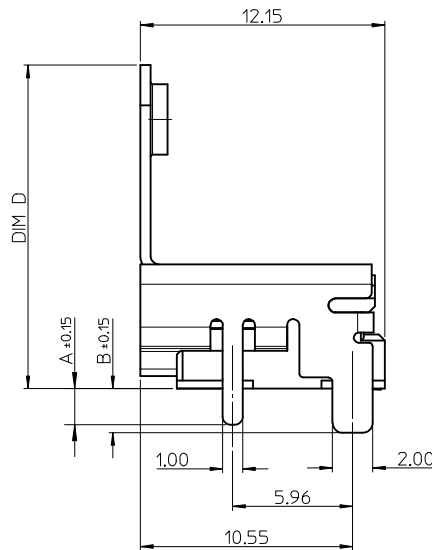
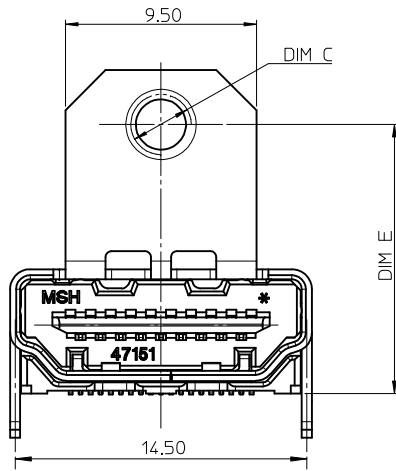
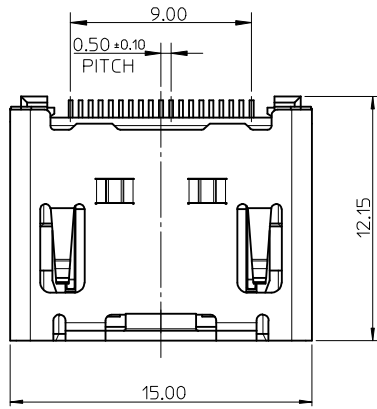
NOTES:

1. MATERIAL:  
 HOUSING: THERMOPLASTIC, GLASS-FILLED, UL 94V-0, COLOR: SEE TABLE.  
 SHELL: COPPER ALLOY.  
 TERMINAL: COPPER ALLOY.
2. PLATING:  
 TERMINAL:  
 CONTACT AREA: (1) 0.76 MICROMETER MIN. GOLD PLATING.  
 (2) 0.25 MICROMETER MIN. GOLD PLATING.  
 (3) GOLD FLASH.  
 (4) 0.375 MICROMETER MIN. GOLD PLATING.  
 SOLDER AREA: 1 MICROMETER MIN. TIN-BISMUTH ALLOY PLATED.  
 UNDER PLATE: 1.27 MICROMETER MIN. NICKEL.  
 SHELL: (a) 1.27 MICROMETER MIN. SOLDERABLE NICKEL PLATE OVERALL.  
 (b) GOLD FLASH PLATING OVER 1.27 MICROMETER MIN. NICKEL PLATING OVERALL.
3. COPLANARITY IS 0.1MM MAX.
4. PRODUCT SPECIFICATION REFER TO PS-47152-001.
5. PACKAGE SPECIFICATION FOR WITHOUT FLANGE REFER TO PK-47151-001.
6. PRODUCT COMPLIANT TO RoHS DIRECTIVE 2011/65/EU AND ELV DIRECTIVE 2000/53/EC.



RECOMMENDED PANEL CUT OUT DIMENSION

REVISE NOTE EC NO: S2014-0536 DRW: FCS00 2013/12/05 CHKD: JTAN02 2013/12/17 APPR: KHL IM 2013/12/20	QUALITY SYMBOLS F=0 F=0 F=0	GENERAL TOLERANCES (UNLESS SPECIFIED)		DIMENSION STYLE MM ONLY		SCALE NTS	DESIGN UNITS METRIC	THIRD ANGLE PROJECTION			
		4 PLACES ± --- ± ---	3 PLACES ± --- ± ---	2 PLACES ± 0.25 ± ---	1 PLACE ± 0.25 ± ---	0 PLACE ± ±	DRAWN BY RZHANG	DATE 2004/07/20	TITLE 1.0 HDMI RIGHT ANGLE HEADER ASSEMBLY(19 PIN) LEAD FREE		
		ANGULAR ± 3 °		DRAFT WHERE APPLICABLE MUST REMAIN WITHIN DIMENSIONS		MATERIAL NO. SEE SHEET 6	DOCUMENT NO. SD-47151-001		SHEET NO. 1 OF 8		
		SIZE A3		THIS DRAWING CONTAINS INFORMATION THAT IS PROPRIETARY TO MOLEX INCORPORATED AND SHOULD NOT BE USED WITHOUT WRITTEN PERMISSION							



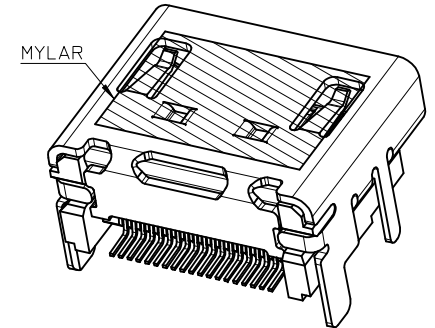
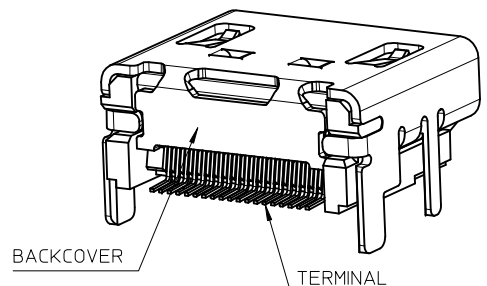
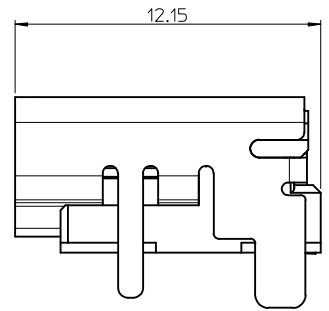
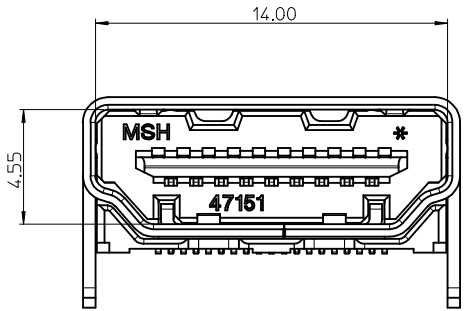
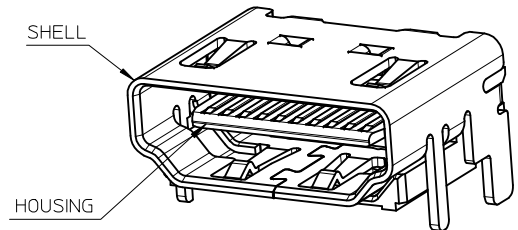
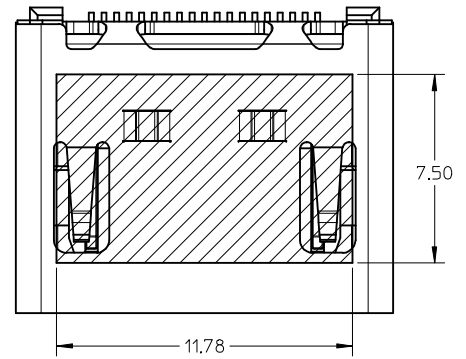
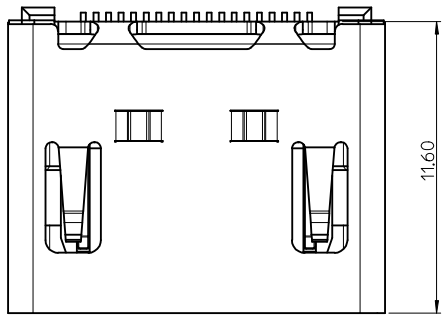
NOTES:

1. THE UNSPECIFIED DIMENSIONS REFER TO SHEET 1.
2. PACKAGE SPECIFICATION FOR WITH FLANGE REFER TO PK-47151-002.

<b>REVISE NOTE</b> EC NO: S2014-0536 DRW:NFC00 2013/12/05 CHKD:JTAN02 2013/12/17 APPR:KHLIM 2013/12/20	QUALITY SYMBOLS	GENERAL TOLERANCES (UNLESS SPECIFIED)		DIMENSION STYLE MM ONLY		SCALE NTS	DESIGN UNITS METRIC	THIRD ANGLE PROJECTION
	$F_A=0$	mm	INCH	DRAWN BY	DATE	TITLE		
	$F_C=0$	4 PLACES ± ---	± ---	RZHANG	2004/07/20	1.0 HDMI RIGHT ANGLE HEADER ASSEMBLY(19 PIN) LEAD FREE		
	$F_B=0$	3 PLACES ± ---	± ---	CHECKED BY	DATE	<b>molex</b> DOCUMENT NO. SD-47151-001 SHEET NO. 2 OF 8		
	2 PLACES ± 0.25	± ---	GRMA	2004/07/20				
	1 PLACE ± 0.25	± ---	APPROVED BY	DATE	SEE SHEET 6			
	0 PLACE ±	±	YTYAP	2004/07/20	THIS DRAWING CONTAINS INFORMATION THAT IS PROPRIETARY TO MOLEX INCORPORATED AND SHOULD NOT BE USED WITHOUT WRITTEN PERMISSION			
		ANGULAR ± 3 °		MATERIAL NO.				
		DRAFT WHERE APPLICABLE MUST REMAIN WITHIN DIMENSIONS		SIZE A3				

10 9 8 7 6 5 4 3 2 1

WITH BACK COVER

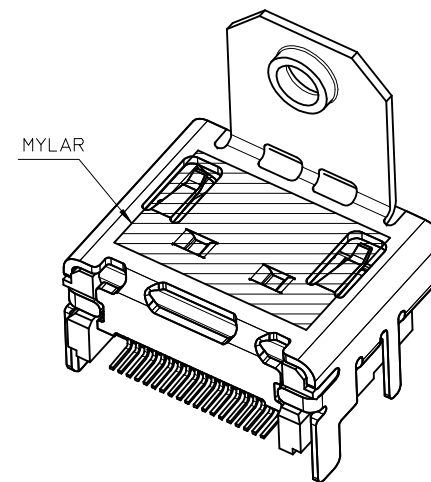
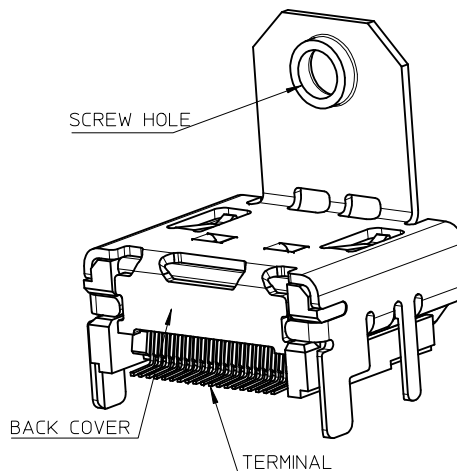
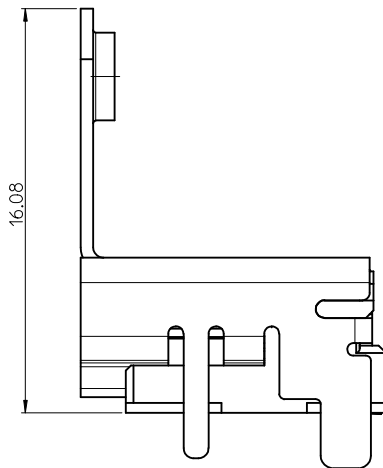
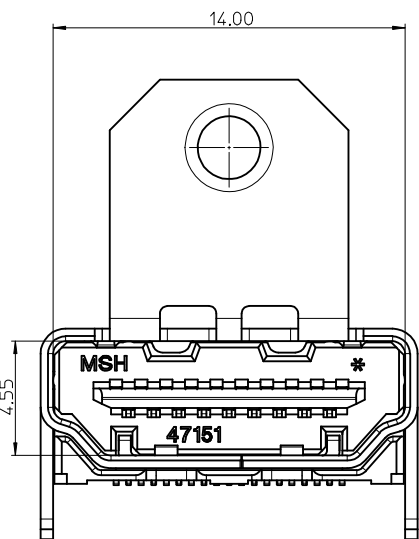
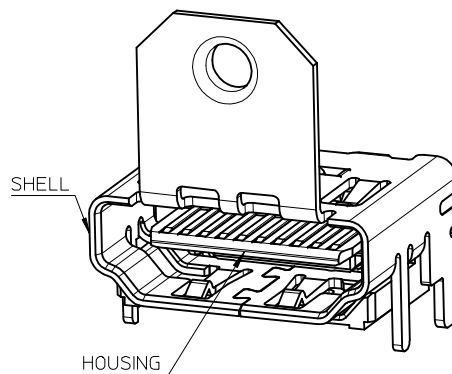
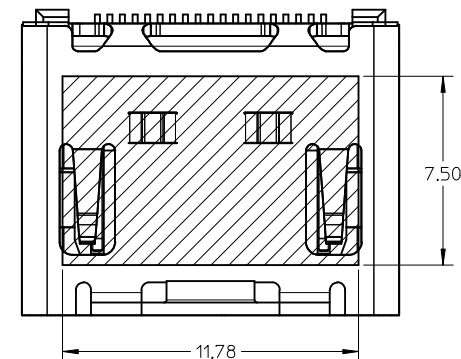
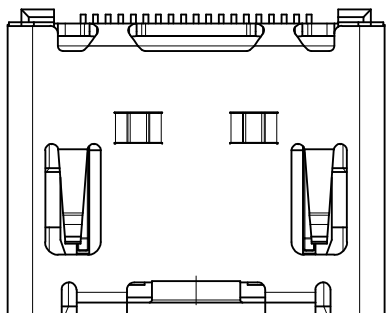


- NOTES:
1. THE UNSPECIFIED DIMENSIONS REFER TO 47151-0001.
  2. PACKAGE SPECIFICATION FOR WITHOUT FLANGE REFER TO PK-47151-001.

<b>REVISE NOTE</b> EC NO: S2014-0536 DRWN:FC500 CHKD:JTAN02 APPR:KHLJM 2013/12/05 2013/12/17 2013/12/20	QUALITY SYMBOLS $\nabla_A=0$ $\nabla_B=0$ $\nabla_C=0$	GENERAL TOLERANCES (UNLESS SPECIFIED)		DIMENSION STYLE <b>MM ONLY</b>		SCALE NTS	DESIGN UNITS METRIC	THIRD ANGLE PROJECTION	
		4 PLACES $\pm$ --- $\pm$ ---	mm INCH	DRAWN BY RZHANG	DATE THIS SHEET ONLY FOR 47151-1067/1071/1081 2004/07/20	1.0 HDMI RIGHT ANGLE HEADER ASSEMBLY(19 PIN) LEAD FREE			
		3 PLACES $\pm$ --- $\pm$ ---		CHECKED BY GRMA	DATE 2004/07/20	<b>molex</b>			
		2 PLACES $\pm$ 0.25 $\pm$ --- 1 PLACE $\pm$ 0.25 $\pm$ --- 0 PLACE $\pm$ $\pm$		APPROVED BY YTYAP	DATE 2004/07/20	MATERIAL NO. SEE SHEET 6	DOCUMENT NO. SD-47151-001	SHEET NO. 3 OF 8	
L1	REV	ANGULAR $\pm$ 3 ° DRAFT WHERE APPLICABLE MUST REMAIN WITHIN DIMENSIONS		THIS DRAWING CONTAINS INFORMATION THAT IS PROPRIETARY TO MOLEX INCORPORATED AND SHOULD NOT BE USED WITHOUT WRITTEN PERMISSION					

9 8 7 6 5 4 3 2 1

WITH BACK COVER

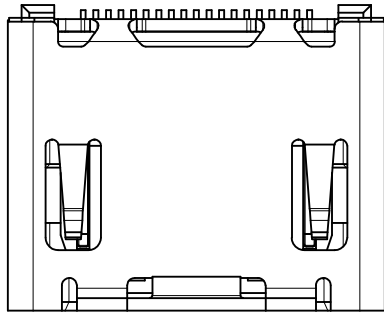


THIS IS ONLY FOR  
47151-1025/1075/1085/6022/6032/1026/2062

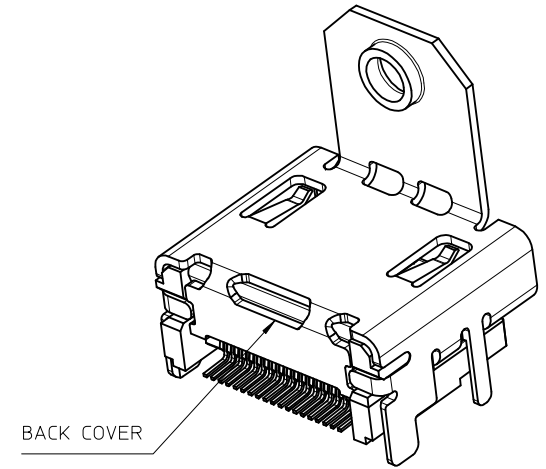
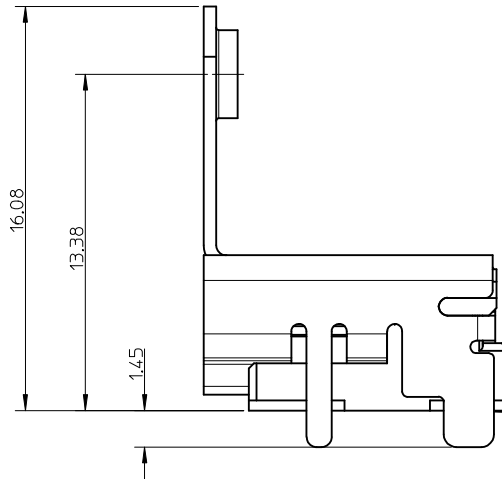
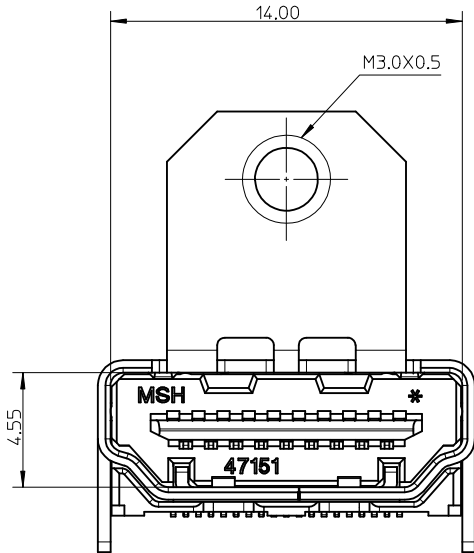
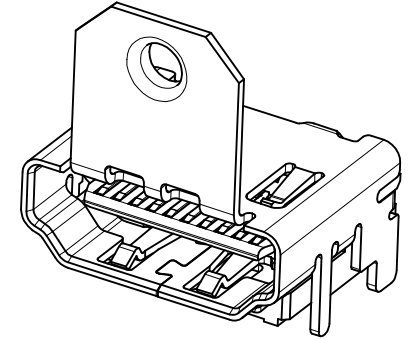
NOTES:

1. THE UNSPECIFIED DIMENSIONS REFER TO 47151-0002.
2. PACKAGE SPECIFICATION FOR WITH FLANGE:  
 OPTION 1: 47151-1026/2062/6032 REFER TO PK-47151-005,  
 OPTION 2: 47151-1102 REFER TO PK-47151-003,  
 OPTION 3: OTHER PART NUMBER REFER TO PK-47151-002.

REVISE NOTE EC NO: S2014-0536 DRW:NFC500 CHKD:JTAN02 APPR:KHLIM	2013/12/05 2013/12/17 2013/12/20	DESCRIPTION REV	QUALITY SYMBOLS	GENERAL TOLERANCES (UNLESS SPECIFIED)		DIMENSION STYLE MM ONLY		SCALE NTS	DESIGN UNITS METRIC	THIRD ANGLE PROJECTION		
			$\nabla = 0$ $\nabla = 0$ $\nabla = 0$	4 PLACES ± --- ± --- 3 PLACES ± --- ± --- 2 PLACES ± 0.25 ± --- 1 PLACE ± 0.25 ± --- 0 PLACE ± ±	mm    INCH	DRAWN BY RZHANG	DATE 2004/07/20	TITLE				
				ANGULAR ± 3°	CHECKED BY GRMA	DATE 2004/07/20	1.0 HDMI RIGHT ANGLE HEADER ASSEMBLY(19 PIN) LEAD FREE					
				DRAFT WHERE APPLICABLE MUST REMAIN WITHIN DIMENSIONS	APPROVED BY YTYAP	DATE 2004/07/20	MATERIAL NO. SEE SHEET 6		DOCUMENT NO. SD-47151-001	SHEET NO. 4 OF 8		



WITHOUT TOP HOLE



NOTES:

1. THE UNSPECIFIED DIMENSIONS REFER TO 47151-1102.
2. PACKAGE SPECIFICATION FOR WITH FLANGE REFER TO PK-47151-002.

<b>REVISE NOTE</b> EC NO: S2014-0536 DRW/NF: CS00 CHKD: JTAN02 APPR: KHL IM	2013/12/05 2013/12/17 2013/12/20	DESCRIPTION REV	QUALITY SYMBOLS $F_{A'}=0$ $F_{C'}=0$ $F_{B'}=0$	GENERAL TOLERANCES (UNLESS SPECIFIED)		DIMENSION STYLE <b>MM ONLY</b>		SCALE NTS	DESIGN UNITS METRIC	THIRD ANGLE PROJECTION		
				mm	INCH	DRAWN BY	DATE	TITLE				
			4 PLACES	± ---	± ---	RZHANG	2004/07/20	1.0 HDMI RIGHT ANGLE HEADER ASSEMBLY(19 PIN) LEAD FREE				
			3 PLACES	± ---	± ---	CHECKED BY	DATE					
2 PLACES	± 0.25	± ---	GRMA	2004/07/20	<b>molex</b>							
1 PLACE	± 0.25	± ---	APPROVED BY	DATE								
0 PLACE	±	±	YTYAP	2004/07/20	MATERIAL NO. <b>SEE SHEET 6</b>		DOCUMENT NO. SD-47151-001	SHEET NO. 5 OF 8				
DRAFT WHERE APPLICABLE MUST REMAIN WITHIN DIMENSIONS				SIZE <b>A3</b>	THIS DRAWING CONTAINS INFORMATION THAT IS PROPRIETARY TO MOLEX INCORPORATED AND SHOULD NOT BE USED WITHOUT WRITTEN PERMISSION							

ASSEMBLY P/N	DIMENSION					FEATURE				HOUSING COLOUR	GOLD PLATING IN CONTACT AREA	SHELL PLATING	REMARK
	DIM A	DIM B	DIM C	DIM D	DIM E	FLANGE	BACK COVER	TOP HOLES	MYLAR				
47151-0001	1.80	2.20	/	/	/	W/O	W/O	WITH	W/O	BLACK	SEE NOTE 2 (1)	SEE NOTE 2 (a)	FOR SHEET 1
47151-0041										SEE NOTE 2 (2)			
47151-0051										SEE NOTE 2 (3)			
47151-0011										SEE NOTE 2 (1)			
47151-0071										NATURE	SEE NOTE 2 (2)		
47151-0061										SEE NOTE 2 (3)			
47151-0021										BLACK	SEE NOTE 2 (1)		
47151-0031	NATURE	SEE NOTE 2 (1)	SEE NOTE 2 (b)										
47151-0101	1.45	1.45	/	/	/	W/O	W/O	WITH	W/O	BLACK	SEE NOTE 2 (1)	SEE NOTE 2 (a)	
47151-0141										SEE NOTE 2 (2)			
47151-0151										SEE NOTE 2 (3)			
47151-0111										SEE NOTE 2 (1)			
47151-0181										NATURE	SEE NOTE 2 (2)		
47151-0161										SEE NOTE 2 (3)			
47151-0121										BLACK	SEE NOTE 2 (1)		SEE NOTE 2 (b)
47151-0131	NATURE	SEE NOTE 2 (1)											
47151-0002	1.80	2.20	M3.0x0.5	16.08	13.38	WITH	W/O	WITH	W/O	BLACK	SEE NOTE 2 (1)	SEE NOTE 2 (a)	FOR SHEET 2
47151-0042										SEE NOTE 2 (2)			
47151-0062										SEE NOTE 2 (3)			
47151-0012										SEE NOTE 2 (1)			
47151-0052										NATURE	SEE NOTE 2 (2)		
47151-0072										SEE NOTE 2 (3)			
47151-0022										BLACK	SEE NOTE 2 (1)		
47151-0032	NATURE	SEE NOTE 2 (1)											
47151-0102	1.45	1.45	M3.0x0.5	16.08	13.38	WITH	W/O	WITH	W/O	BLACK	SEE NOTE 2 (1)	SEE NOTE 2 (a)	
47151-0142										SEE NOTE 2 (2)			
47151-0162										SEE NOTE 2 (3)			
47151-0112										SEE NOTE 2 (1)			
47151-0152										NATURE	SEE NOTE 2 (2)		
47151-0172										SEE NOTE 2 (3)			
47151-0122										BLACK	SEE NOTE 2 (1)		SEE NOTE 2 (b)
47151-0132	NATURE	SEE NOTE 2 (1)											
47151-6002	1.80	2.20	M3.0x0.5	14.25	11.28	WITH	W/O	WITH	W/O	BLACK	SEE NOTE 2 (1)	SEE NOTE 2 (a)	
47151-6062										SEE NOTE 2 (2)			
47151-6082										SEE NOTE 2 (3)			
47151-6102	1.45	1.45	M3.0x0.5	14.25	11.28	WITH	W/O	WITH	W/O	BLACK	SEE NOTE 2 (1)		
47151-6172										SEE NOTE 2 (2)			
47151-6162										SEE NOTE 2 (3)			

<b>REVISE NOTE</b> EC NO: S2014-0536 DRWN:FC500 CHKD:JTAN02 APPR:KLLIM 2013/12/05 2013/12/17 2013/12/20	QUALITY SYMBOLS	GENERAL TOLERANCES (UNLESS SPECIFIED)	DIMENSION STYLE	SCALE	DESIGN UNITS	THIRD ANGLE PROJECTION	
	$F_A=0$ $F_G=0$ $F_P=0$	mm    INCH 4 PLACES ± --- ± --- 3 PLACES ± --- ± --- 2 PLACES ± 0.25 ± --- 1 PLACE ± 0.25 ± --- 0 PLACE ±     ±	MM ONLY	NTS	METRIC	DRAWN BY: RZHANG DATE: 2004/07/20 CHECKED BY: GRMA DATE: 2004/07/20 APPROVED BY: YTYAP DATE: 2004/07/20	TITLE
		ANGULAR ± 3 °				1.0 HDMI RIGHT ANGLE HEADER ASSEMBLY(19 PIN) LEAD FREE	
		DRAFT WHERE APPLICABLE MUST REMAIN WITHIN DIMENSIONS				MATERIAL NO. <b>SEE SHEET 6</b>	DOCUMENT NO. SD-47151-001
L1	REV		SIZE A3	THIS DRAWING CONTAINS INFORMATION THAT IS PROPRIETARY TO MOLEX INCORPORATED AND SHOULD NOT BE USED WITHOUT WRITTEN PERMISSION			SHEET NO. 6 OF 8

ASSEMBLY P/N	DIMENSION					FEATURE				HOUSING COLOUR	GOLD PLATING IN CONACT AREA	SHELL PLATING	REMARK
	DIM A	DIM B	DIM C	DIM D	DIM E	FLANGE	BACK COVER	TOP HOLES	MYLAR				
47151-1001	1.80	2.20	/	/	/	W/O	WITH	WITH	W/O	BLACK	SEE NOTE 2 (a)	FOR SHEET 3	
47151-1041													
47151-1051													
47151-1003													
47151-1061													
47151-1071													
47151-1081													
47151-1011													
47151-1211													
47151-1311													
47151-1021													
47151-1091													
47151-1031													
47151-1101													
47151-1141	1.45	1.45	/	/	/	W/O	WITH	WITH	W/O	BLACK	SEE NOTE 2 (a)		
47151-1151													
47151-1111													
47151-1161													
47151-1171													
47151-1121													
47151-1131													
47151-1102													
47151-7142	1.45	1.45	M3.0x0.5	16.08	13.38	WITH	WITH	W/O	W/O	BLACK	SEE NOTE 2 (a)	FOR SHEET 5	
47151-7162													

<b>REVISE NOTE</b> EC NO: S2014-0536 DRWN:FC500 CHKD:JTAN02 APPR:KHLIM 2013/12/05 2013/12/17 2013/12/20	QUALITY SYMBOLS	GENERAL TOLERANCES (UNLESS SPECIFIED)	DIMENSION STYLE	SCALE	DESIGN UNITS	THIRD ANGLE PROJECTION	
	$F_A=0$ $F_G=0$ $F_P=0$	mm      INCH 4 PLACES ± --- ± --- 3 PLACES ± --- ± --- 2 PLACES ± 0.25 ± --- 1 PLACE ± 0.25 ± --- 0 PLACE ±      ±	MM ONLY	NTS	METRIC	DRAWN BY: RZHANG CHECKED BY: GRMA APPROVED BY: YTYAP DATE: 2004/07/20	TITLE: 1.0 HDMI RIGHT ANGLE HEADER ASSEMBLY(19 PIN) LEAD FREE 
	DESCRIPTION	ANGULAR ± 3 ° DRAFT WHERE APPLICABLE MUST REMAIN WITHIN DIMENSIONS	MATERIAL NO. SEE SHEET 6	DOCUMENT NO. SD-47151-001	SHEET NO. 7 OF 8		
	L1	THIS DRAWING CONTAINS INFORMATION THAT IS PROPRIETARY TO MOLEX INCORPORATED AND SHOULD NOT BE USED WITHOUT WRITTEN PERMISSION	SIZE: A3				

ASSEMBLY P/N	DIMENSION					FEATURE				HOUSING COLOUR	GOLD PLATING IN CONTACT AREA	SHELL PLATING	REMARK		
	DIM A	DIM B	DIM C	DIM D	DIM E	FLANGE	BACK COVER	TOP HOLES	MYLAR						
47151-1002	1.80	2.20	M3.0x0.5	16.08	13.38	WITH	WITH	WITH	W/O	BLACK	SEE NOTE 2 (1)	SEE NOTE 2 (a)	FOR SHEET 4		
47151-1042											SEE NOTE 2 (2)				
47151-1052											SEE NOTE 2 (3)				
47151-1062											SEE NOTE 2 (4)				
47151-2062										WITH	BLACK			SEE NOTE 2 (4)	
47151-1012										W/O	NATURE			SEE NOTE 2 (1)	
47151-1072														SEE NOTE 2 (2)	
47151-1082														SEE NOTE 2 (3)	
47151-1022														BLACK	SEE NOTE 2 (1)
47151-1032														NATURE	SEE NOTE 2 (1)
	SEE NOTE 2 (b)														
47151-1102	1.45	1.45	M3.0x0.5	16.08	13.38	WITH	WITH	WITH	W/O	SEE NOTE 2 (1)	SEE NOTE 2 (a)				
47151-1142										BLACK		SEE NOTE 2 (2)			
47151-1152										SEE NOTE 2 (3)					
47151-1112										SEE NOTE 2 (1)					
47151-1162									NATURE	SEE NOTE 2 (2)					
47151-1172										SEE NOTE 2 (3)					
47151-1122										BLACK		SEE NOTE 2 (1)			
47151-1132										NATURE		SEE NOTE 2 (1)			
										SEE NOTE 2 (b)					
47151-1005										1.80		2.20	4-40	16.08	13.38
47151-1045	BLACK	SEE NOTE 2 (2)													
47151-1065	SEE NOTE 2 (3)														
47151-1015	SEE NOTE 2 (1)														
47151-1035	NATURE	SEE NOTE 2 (2)													
47151-1055		SEE NOTE 2 (3)													
47151-1025		SEE NOTE 2 (1)													
47151-1075		WITH	BLACK	SEE NOTE 2 (2)											
47151-1085				SEE NOTE 2 (3)											
47151-1026				SEE NOTE 2 (1)											
47151-6012	1.80	2.20	M3.0x0.5	14.25	11.28	WITH	WITH	WITH	W/O	SEE NOTE 2 (1)	SEE NOTE 2 (a)				
47151-6042										BLACK		SEE NOTE 2 (2)			
47151-6052										SEE NOTE 2 (3)					
47151-6022									WITH	BLACK		SEE NOTE 2 (1)			
47151-6032												SEE NOTE 2 (3)			
47151-6112	1.45	1.45							W/O	SEE NOTE 2 (1)					
47151-6142										SEE NOTE 2 (2)					
47151-6152										SEE NOTE 2 (3)					

<b>REVISE NOTE</b> EC NO: S2014-0536 DRWN:FC500 CHKD:JTAN02 APPR:KHLIM 2013/12/05 2013/12/17 2013/12/20	QUALITY SYMBOLS	GENERAL TOLERANCES (UNLESS SPECIFIED)	DIMENSION STYLE	SCALE	DESIGN UNITS	THIRD ANGLE PROJECTION	
	$F_A=0$ $F_G=0$ $F_P=0$	mm    INCH 4 PLACES ± --- ± --- 3 PLACES ± --- ± --- 2 PLACES ± 0.25 ± --- 1 PLACE ± 0.25 ± --- 0 PLACE ±     ±	MM ONLY	NTS	METRIC	DRAWN BY: RZHANG DATE: 2004/07/20 CHECKED BY: GRMA DATE: 2004/07/20 APPROVED BY: YTYAP DATE: 2004/07/20	TITLE
		ANGULAR ± 3 °				MATERIAL NO. SEE SHEET 6 DOCUMENT NO. SD-47151-001	1.0 HDMI RIGHT ANGLE HEADER ASSEMBLY(19 PIN) LEAD FREE <b>molex</b>
		DRAFT WHERE APPLICABLE MUST REMAIN WITHIN DIMENSIONS				SHEET NO. 8 OF 8	