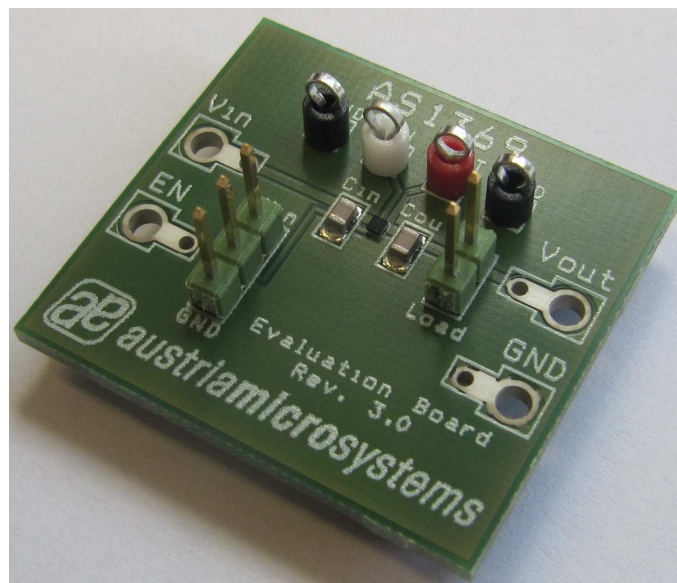


Demo Board Manual

AS1369

200mA, Ultra-Compact Low Dropout Regulator

www.austriamicrosystems.com/LDO/AS1369



General Description

Board Description

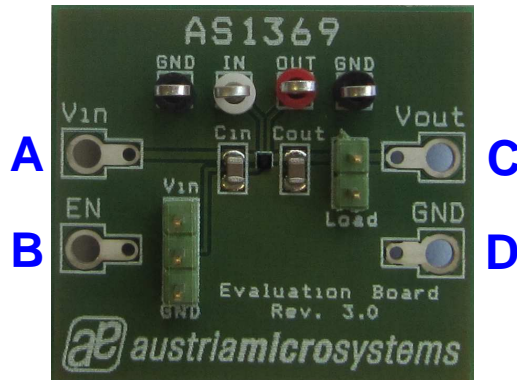


Figure 1: Board Description - Connectors

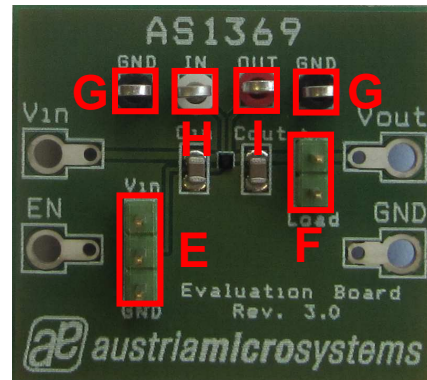





Figure 2: Board Description – Measurement Points

Connector Description

Label	Name	Description	Info
A	Vin	Supply Voltage	Supply voltage ranging from 2.0V to 5.5V
B	EN	Active High Enable Input	$V_{EN} \geq 1.2V$: Vout is enabled $V_{EN} \leq 0.4V$: Vout is disabled This pin must not float!
C	Vout	Output Voltage	Output voltage ranging from 1.2V to 5.0V
D	GND	Ground	

Measurement Point Description

Label	Name	Description	Info
E	EN	Enable	 ON: The AS1369 is enabled.  OFF; The AS1369 is disabled.  No Jumper: Connect a valid enable signal via external connector "B".
F	Load	Load	Jumper for resistive load
G	GND	Ground	Measurement Points
H	IN	Input Voltage	
I	OUT	Output Voltage	

Bill of Materials

Ref.	Function	Value	Description	Manufacturer	Mfg. Order Nr.
C1	Input Capacitor	10 μ F	0805 / X5R / 16V	Murata	GRM21BR71H474KA88
C2	Output Capacitor	4.7 μ F	0805 / X5R / 16V	Murata	GRM21BR71H474KA88
U1	LDO	marking: ASxx	8-pin WL-CSP 1.515x1.625x0.6mm	Austriamicrosystems AG	AS1369-BWLT-xx

Layout of Demo Board

Board schematics and layout

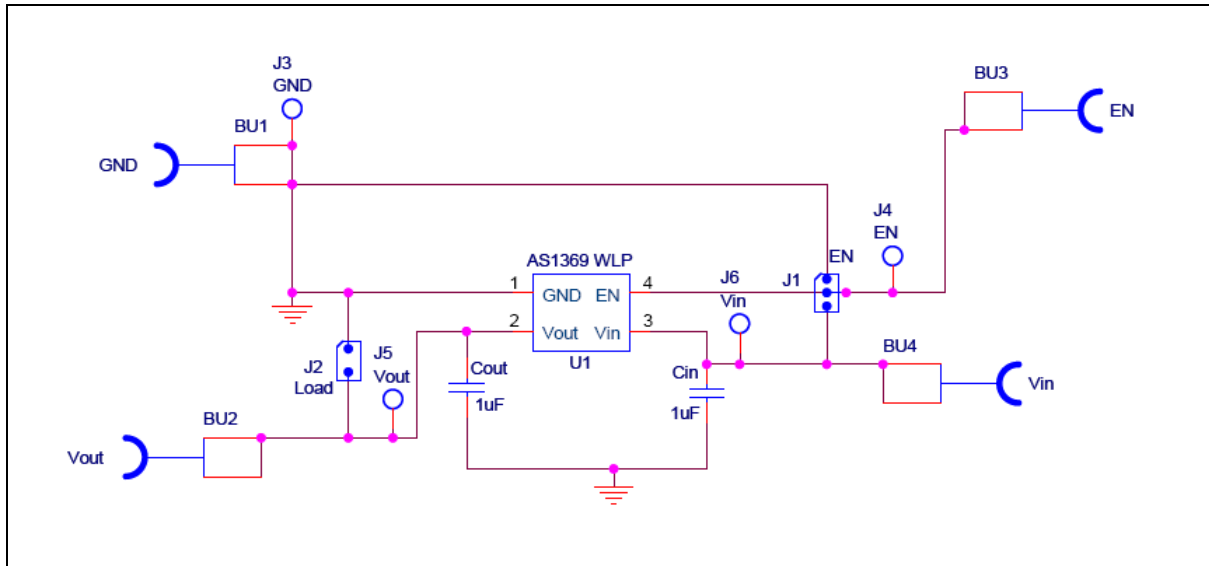


Figure 3: Schematics

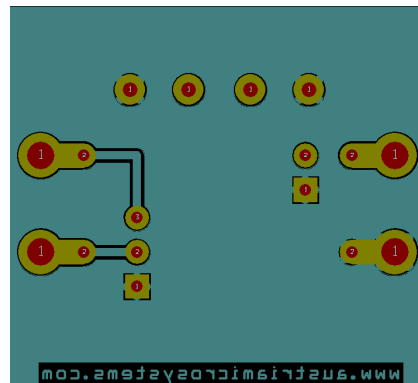
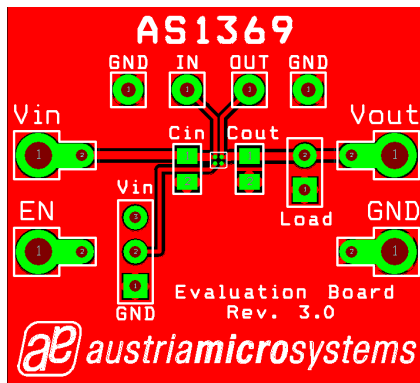


Figure 4: Top + Bottom Layer

Copyright

Copyright © 1997-2010, austriamicrosystems AG, Tobelbaderstraße 30, 8141 Unterpremstätten - Graz, Austria - Europe. Trademarks Registered ®. All rights reserved. The material herein may not be reproduced, adapted, merged, translated, stored, or used without the prior written consent of the copyright owner.

All products and companies mentioned are trademarks or registered trademarks of their respective companies.

Disclaimer

Devices sold by austriamicrosystems AG are covered by the warranty and patent indemnification provisions appearing in its Term of Sale. austriamicrosystems AG makes no warranty, express, statutory, implied, or by description regarding the information set forth herein or regarding the freedom of the described devices from patent infringement. Austriamicrosystems AG reserves the right to change specifications and prices at any time and without notice. Therefore, prior to designing this product into a system, it is necessary to check with austriamicrosystems AG for current information.

This product is intended for use in normal commercial applications. Applications requiring extended temperature range, unusual environmental requirements, or high reliability applications, such as military, medical life-support or life-sustaining equipment are specifically not recommended without additional processing by austriamicrosystems AG for each application. For shipments of less than 100 parts the manufacturing flow might show deviations from the standard production flow, such as test flow or test location.

The information furnished here by austriamicrosystems AG is believed to be correct and accurate. However, austriamicrosystems AG shall not be liable to recipient or any third party for any damages, including but not limited to personal injury, property damage, loss of profits, loss of use, interruption of business or indirect, special, incidental or consequential damages, of any kind, in connection with or arising out of the furnishing, performance or use of the technical data herein. No obligation or liability to recipient or any third party shall arise or flow out of austriamicrosystems AG rendering of technical or other services.



Contact Information

Headquarters

austriamicrosystems AG
Tobelbaderstraße 30
A-8141 Unterpremstätten - Graz, Austria
T. +43 (0) 3136 500 0
F. +43 (0) 3136 5692

For Sales Offices, Distributors and Representatives, please visit:
<http://www.austriamicrosystems.com/contact>

Mouser Electronics

Authorized Distributor

Click to View Pricing, Inventory, Delivery & Lifecycle Information:

[ams:](#)

[AS1369-WL-30_EK_ST](#) [AS1369-WL-28_EK_ST](#) [AS1369-WL-13_EK_ST](#) [AS1369-WL-12_EK_ST](#) [AS1369-WL-18_EK_ST](#)