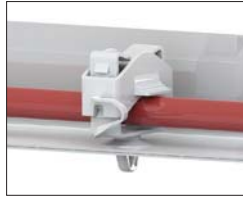




HCS Hinged Cable Saddle



Specifications:

- Material: UL94 V-2 Nylon 6/6
- Color: Natural

Features:

- Separate locking top holds and provides excellent strain relief to mounted cables
- Teeth on cable saddle holds locking top securely in place
- Push the saddle ends together to release locking top and cables
- Snap lock with cup provides stability and protects mounting hole

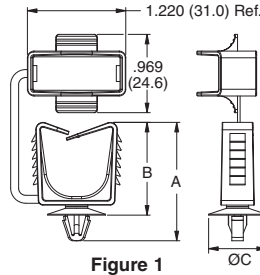


Figure 1

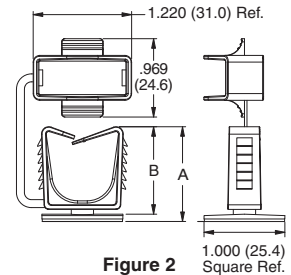


Figure 2

Item No.	Figure	A Ref.		B Max		C		Mounting Method		Panel Thickness		Cable Bundle Ø		Bulk Pack Qty.
		In	mm	In	mm	In	mm	In	mm	In	mm	In	mm	
HCS1-01	1	0.338	34.0	1.141	29.0	0.629	16	0.157 - 0.189 Hole	4.0 - 4.8 Hole	0.016 - 0.063	0.4 - 1.6	0.118 - 0.629	3.0 - 16.0	250
HCS2-01	1	1.448	36.8	1.129	28.7	0.716	18.2	0.236 - 0.267 Hole	6.0 - 6.8 Hole	0.024 - 0.098	0.6 - 2.5	0.118 - 0.629	3.0 - 16.0	250
HCS3-01A4-RT	2	1.160	29.5	1.082	27.5	—	—	Adhesive		—	—	0.118 - 0.629	3.0 - 16.0	1000

WCC Webbed Centering Clip



Specifications:

- Material: UL94 V-2 Nylon 6/6
- Color: Natural

Features:

- Cables are inserted into center of clamp. Clamp wraps around cables and locks them securely in place
- Finger grip eases installation
- Cupped base adds stability to the mounting and covers the hole completely

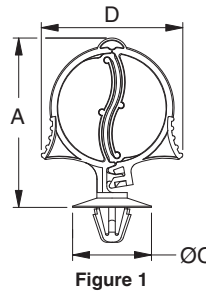


Figure 1

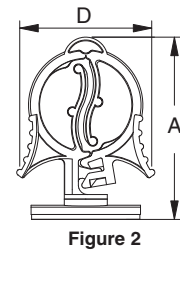
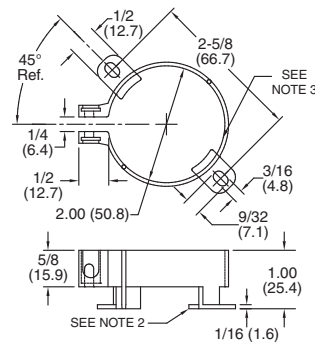


Figure 2



Item No.	Bundle Ø		Ø Mounting Hole		Panel Thickness		A Ref.		D Ref.		CO Ref.		Figure	Bulk Pack Qty.
	In	mm	In	mm	In	mm	In	mm	In	mm	In	mm		
WCC1-1-01	.118 - .311	3.0 - 7.9	.157 - .189	4.0 - 4.8	.019-.063	0.5 - 1.6	1.100	28.0	0.910	23.0	0.630	16.0	1	500
WCC1-2-01	.118 - .374	3.0 - 9.5	.157 - .189	4.0 - 4.8	.019-.063	0.5 - 1.6	1.220	31.0	1.060	27.0	0.630	16.0	1	500
WCC1-3-01	.118 - .500	3.0 - 12.7	.157 - .189	4.0 - 4.8	.019-.063	0.5 - 1.6	1.460	37.0	1.300	33.0	0.630	16.0	1	500
WCC2-1-01	.118 - .311	3.0 - 7.9	.236 - .267	6.0 - 6.8	.019-.098	0.5 - 1.6	1.100	28.0	0.910	23.0	0.720	18.4	1	500
WCC2-2-01	.118 - .374	3.0 - 9.5	.236 - .267	6.0 - 6.8	.019-.098	0.5 - 1.6	1.220	31.0	1.060	27.0	0.720	18.4	1	500
WCC2-3-01	.118 - .500	3.0 - 12.7	.236 - .267	6.0 - 6.8	.019-.098	0.5 - 1.6	1.460	37.0	1.300	33.0	0.720	18.4	1	500
WCC3-1-01A4-RT	.118 - .311	3.0 - 7.9	Adhesive	Adhesive	Adhesive	Adhesive	1.100	28.0	0.910	23.0	Adhesive	Adhesive	2	1000
WCC3-2-01A4-RT	.118 - .374	3.0 - 9.5	Adhesive	Adhesive	Adhesive	Adhesive	1.220	31.0	1.060	27.0	Adhesive	Adhesive	2	1000
WCC3-3-01A4-RT	.118 - .500	3.0 - 12.7	Adhesive	Adhesive	Adhesive	Adhesive	1.460	37.0	1.300	33.0	Adhesive	Adhesive	2	1000

SCH / SCHS Standoff Capacitor Holder



Specifications:

- Material: UL94 HB Glass Filled Nylon 6/6
- Color: Black

Notes:

Optional:

1. Clamping hardware; Screw (S6B) Stainless Steel, Zinc Plating; Quick Nut (QN-6) Spring Steel C1050, Coating: Black Phosphate
2. Spacer to elevate capacitor 3/32 (2.4) from chassis
3. Anti-rotation rib (3 locations)



Item No.	Description	Bulk Pack Qty.
SCHS-2	w/spacer, w/o hardware (Note 1)	100
SCH-2	w/o spacer, w/o hardware	100
SCHS-2-H	w/spacer, w/ clamping hardware	100
SCH-2-H	w/o spacer, w/ clamping hardware	100