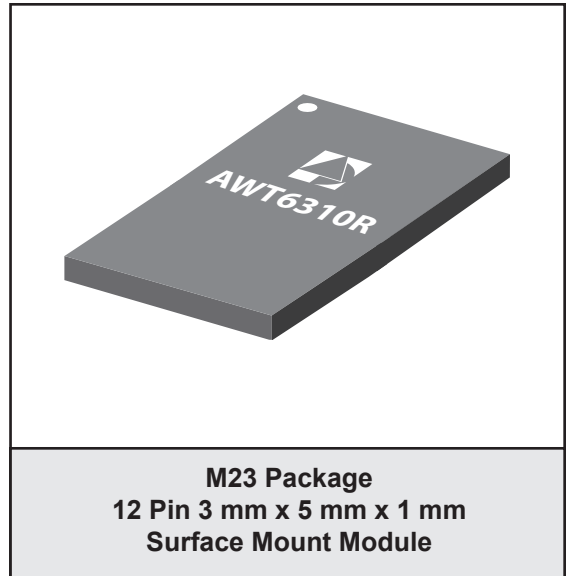


FEATURES

- Single Mode Operation: $P_{OUT} \leq +28$ dBm
- High Efficiency: 39 %
- 25 % Package Size Reduction
- Common V_{MODE} Control Line
- Simplified V_{CC} Bus PCB routing
- Reduced External Component Count
- Low Profile Surface Mount Package: 1.1 mm
- RoHS Compliant Package, 250 °C MSL-3

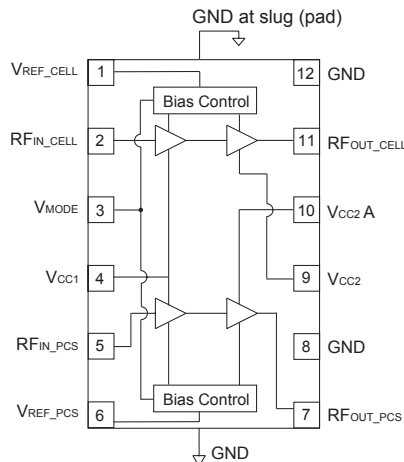
APPLICATIONS

- CDMA/EVDO Cell & PCS dual-band Wireless Handsets and Data Devices


PRODUCT DESCRIPTION

The AWT6310R meets the increasing demands for higher levels of integration in dual-band CDMA/PCS 1X handsets, while reducing board area requirements by 25 %. The package pinout was chosen to enable handset manufacturers to easily route V_{CC} to both power amplifiers and simplify control with a common V_{MODE} pin. The device is manufactured on an advanced InGaP HBT MMIC technology offering state-of-the-art

reliability, temperature stability, and ruggedness. Selectable bias modes that optimize efficiency for different output power levels, and a shutdown mode with low leakage current, serve to increase handset talk and standby time. The self contained 3 mm x 5 mm x 1 mm surface mount package incorporates matching networks optimized for output power, efficiency and linearity in a 50 Ω system.


Figure 1: Block Diagram

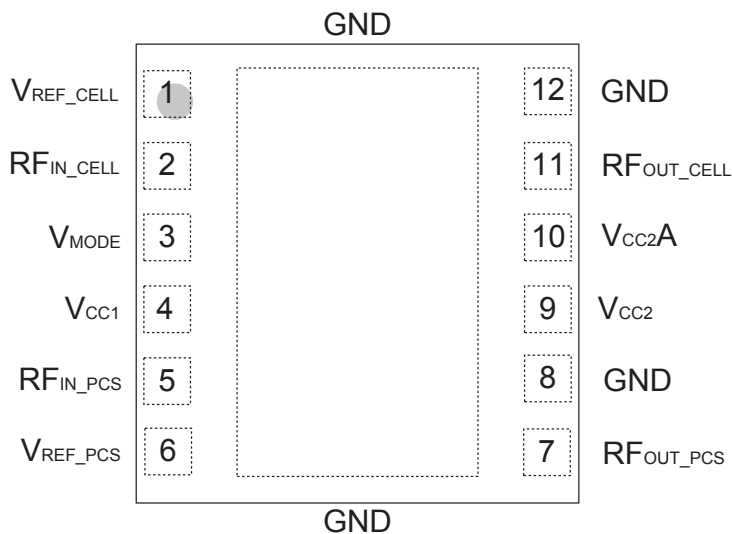


Figure 2: Pinout

Table 1: Pin Description

PIN	NAME	DESCRIPTION
1	V_{REF_CELL}	Reference Voltage for Cell Band
2	RF_{IN_CELL}	RF Input for Cell Band
3	V_{MODE}	Mode Control Voltage
4	V_{CC1}	Supply Voltage
5	RF_{IN_PCS}	RF Input for PCS Band
6	V_{REF_PCS}	Reference Voltage for PCS Band
7	RF_{OUT_PCS}	RF Output for PCS Band
8	GND	Ground
9	V_{CC2}	Supply Voltage
10	V_{CC2A}	Supply Voltage
11	RF_{OUT_CELL}	RF Output for Cell Band
12	GND	Ground

ELECTRICAL CHARACTERISTICS

Table 2: Absolute Minimum and Maximum Ratings

PARAMETER	MIN	MAX	UNIT
Supply Voltage (V_{CC}) With RF Drive DC Only	0 0	+5 +8	V
Mode Control Voltage (V_{MODE})	0	+3.5	V
Reference Voltage (V_{REF})	0	+3.5	V
RF Input Power (P_{IN})	-	+10	dBm
Storage Temperature (T_{STG})	-40	+150	°C

Stresses in excess of the absolute ratings may cause permanent damage. Functional operation is not implied under these conditions. Exposure to absolute ratings for extended periods of time may adversely affect reliability.

Table 3: Operating Ranges

PARAMETER	MIN	TYP	MAX	UNIT	COMMENTS
Operating Frequency (f)	824 1850	-	849 1910	MHz	Cellular PCS
Supply Voltage (V_{CC})	+3.2	+3.4	+4.2	V	
Reference Voltage (V_{REF})	+2.75 0	+2.85 -	+3.1 +0.5	V	PA "on" PA "shut down"
Mode Control Voltage (V_{MODE})	+2.5 0	+2.85 -	+3.1 +0.5	V	Low Bias Mode High Bias Mode
RF Output Power (P_{OUT})	30.5 ⁽¹⁾ 27.5 ⁽¹⁾	31.0 28.0	- -	dBm	AMPS CDMA
Case Temperature (T_C)	-30	-	+85	°C	

The device may be operated safely over these conditions; however, parametric performance is guaranteed only over the conditions defined in the electrical specifications.

Notes:

(1) For operation at $V_{CC} = +3.2$ V, P_{OUT} is derated by 0.5 dB.

Table 4: Electrical Specifications - Cellular CDMA Operation
 (Unless Otherwise Specified: $T_c = +25\text{ }^\circ\text{C}$, $V_{CC} = +3.4\text{ V}$, $V_{REF} = +2.85\text{ V}$, $50\ \Omega$ system)

PARAMETER	MIN	TYP	MAX	UNIT	COMMENTS
Gain	24.5 24.0 24.0	26.5 26.5 25.5	29.0 29.0 28.0	dB	$P_{OUT} = +28\text{ dBm}$, $V_{MODE} = 0\text{ V}$ $P_{OUT} = +28\text{ dBm}$, $V_{MODE} = +2.85\text{ V}$ $P_{OUT} = +16\text{ dBm}$, $V_{MODE} = +2.85\text{ V}$
Adjacent Channel Power at $\pm 885\text{ kHz}$ offset ⁽¹⁾ Primary Channel BW = 1.23 MHz Adjacent Channel BW = 30 kHz	- - -	-50 -51 -50	-47 -47 -47	dBc	$P_{OUT} = +28\text{ dBm}$, $V_{MODE} = 0\text{ V}$ $P_{OUT} = +28\text{ dBm}$, $V_{MODE} = +2.85\text{ V}$ $P_{OUT} = +16\text{ dBm}$, $V_{MODE} = +2.85\text{ V}$
Adjacent Channel Power at $\pm 1.98\text{ MHz}$ offset ⁽¹⁾ Primary Channel BW = 1.23 MHz Adjacent Channel BW = 30 kHz	- - -	-62 -61 -65	-57 -56 -57	dBc	$P_{OUT} = +28\text{ dBm}$, $V_{MODE} = 0\text{ V}$ $P_{OUT} = +28\text{ dBm}$, $V_{MODE} = +2.85\text{ V}$ $P_{OUT} = +16\text{ dBm}$, $V_{MODE} = +2.85\text{ V}$
Power-Added Efficiency ⁽¹⁾	37 37 8	39 40 9	- - -	%	$P_{OUT} = +28\text{ dBm}$, $V_{MODE} = 0\text{ V}$ $P_{OUT} = +28\text{ dBm}$, $V_{MODE} = +2.85\text{ V}$ $P_{OUT} = +16\text{ dBm}$, $V_{MODE} = +2.85\text{ V}$
Quiescent Current (I_{cq})	-	50	70	mA	$V_{MODE} = +2.85\text{ V}$, Low Bias
Reference Current	-	1.5	3	mA	through V_{REF} pin
Mode Control Current	-	0.6	1.0	mA	through V_{MODE} pin
Leakage Current	-	<1	5	μA	$V_{CC} = +4.2\text{ V}$, $V_{REF} = 0\text{ V}$, $V_{MODE} = 0\text{ V}$
Noise in Receive Band	-	-133	-131	dBm/Hz	869 MHz to 894 MHz
Harmonics 2fo 3fo, 4fo	- - -	-46 -50 -	-30 -30 -	dBc	
Input Impedance	-	-	2:1	VSWR	
Spurious Output Level (all spurious outputs)	-	-	-65	dBc	$P_{OUT} \leq +28\text{ dBm}$ In-band Load VSWR < 5:1 Out-of-band Load VSWR < 10:1 Applies over all operating conditions
Load mismatch stress with no permanent degradation or failure	10:1	-	-	VSWR	Applies over all operating conditions

Notes:

(1) PAE and ACP limit applies at 836.5 MHz.

Table 5: Electrical Specifications - PCS Operation
 (Unless Otherwise Specified: $T_c = +25\text{ }^\circ\text{C}$, $V_{CC} = +3.4\text{ V}$, $V_{REF} = +2.85\text{ V}$, $50\text{ }\Omega$ system)

PARAMETER	MIN	TYP	MAX	UNIT	COMMENTS
Gain	24.5 24.0 23.0	26.5 26.0 25.5	29.0 28.0 28.0	dB	$P_{OUT} = +28\text{ dBm}$, $V_{MODE} = 0\text{ V}$ $P_{OUT} = +28\text{ dBm}$, $V_{MODE} = +2.85\text{ V}$ $P_{OUT} = +16\text{ dBm}$, $V_{MODE} = +2.85\text{ V}$
Adjacent Channel Power at $\pm 1.25\text{ MHz}$ offset Primary Channel BW - 1.23 MHz Adjacent Channel BW = 30 kHz	- - -	-50 -50 -54	-47 -47 -47	dBc	$P_{OUT} = +28\text{ dBm}$, $V_{MODE} = 0\text{ V}$ $P_{OUT} = +28\text{ dBm}$, $V_{MODE} = +2.85\text{ V}$ $P_{OUT} = +16\text{ dBm}$, $V_{MODE} = +2.85\text{ V}$
Adjacent Channel Power at $\pm 2.25\text{ MHz}$ offset Primary Channel BW - 1.23 MHz Adjacent Channel BW = 30 kHz	- - -	-62 -61 -67	-57 -56 -57	dBc	$P_{OUT} = +28\text{ dBm}$, $V_{MODE} = 0\text{ V}$ $P_{OUT} = +28\text{ dBm}$, $V_{MODE} = +2.85\text{ V}$ $P_{OUT} = +16\text{ dBm}$, $V_{MODE} = +2.85\text{ V}$
Power-Added Efficiency	35.5 36 8	38 39 9	- - -	%	$P_{OUT} = +28\text{ dBm}$, $V_{MODE} = 0\text{ V}$ $P_{OUT} = +28\text{ dBm}$, $V_{MODE} = +2.85\text{ V}$ $P_{OUT} = +16\text{ dBm}$, $V_{MODE} = +2.85\text{ V}$
Quiescent Current (Icq)	-	50	70	mA	$V_{MODE} = +2.85\text{ V}$
Reference Current	-	2.3	4	mA	through V_{REF} pin, PA "on"
Mode Control Current	-	0.6	1.0	mA	through V_{MODE} pin, $V_{MODE} = +2.85\text{ V}$
Leakage Current	-	<1	5	μA	$V_{CC} = +4.2\text{ V}$, $V_{REF} = 0\text{ V}$, $V_{MODE} = 0\text{ V}$
Noise in Receive Band	-	-133	-131	dBm/Hz	1930 MHz to 1990 MHz
Harmonics 2fo 3fo, 4fo	- -	-46 -55	-30 -30	dBc	
Input Impedance	-	-	2:1	VSWR	
Spurious Output Level (all spurious outputs)	-	-	-65	dBc	$P_{OUT} \leq +28\text{ dBm}$ In-band load VSWR < 5:1 Out-of-band load VSWR < 10:1 Applies over all operating ranges
Load mismatch stress with no permanent degradation or failure	8:1	-	-	VSWR	Applies over full operating range

Notes:

(1) ACPRs and efficiency limits at mid-band only.

APPLICATION INFORMATION

To ensure proper performance, refer to all related Application Notes on the ANADIGICS web site: <http://www.anadigics.com>

Shutdown Mode

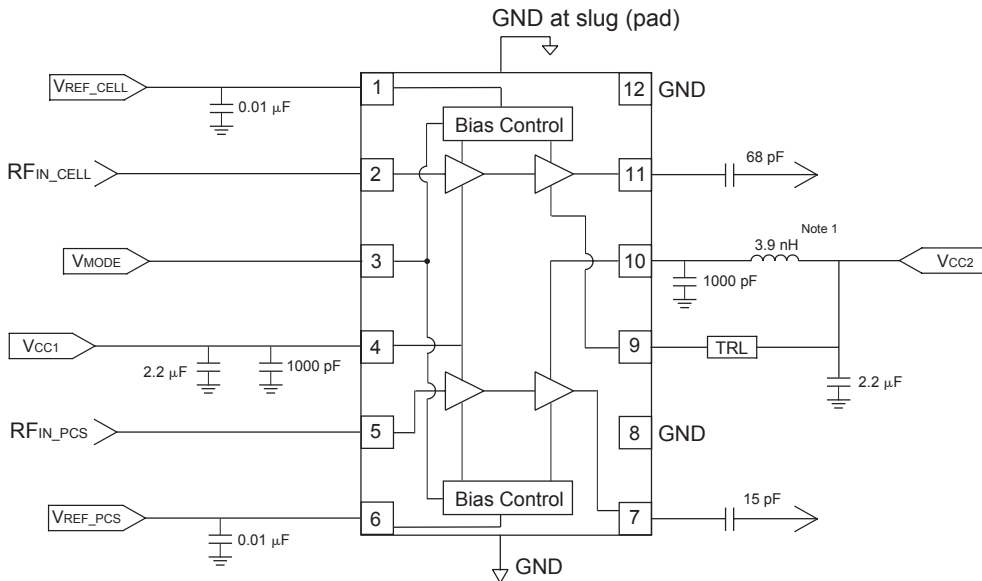
The power amplifier may be placed in a shutdown mode by applying a logic low levels (see Operating Ranges table) to both the V_{REF} and V_{MODE} voltages.

Bias Modes

The power amplifier may be placed in either a Low Bias mode or a High Bias mode by applying the appropriate logic level (see Operating Ranges table) to the V_{MODE} voltage. The Bias Control table lists the recommended modes of operation for various applications.

Table 7: Bias Control

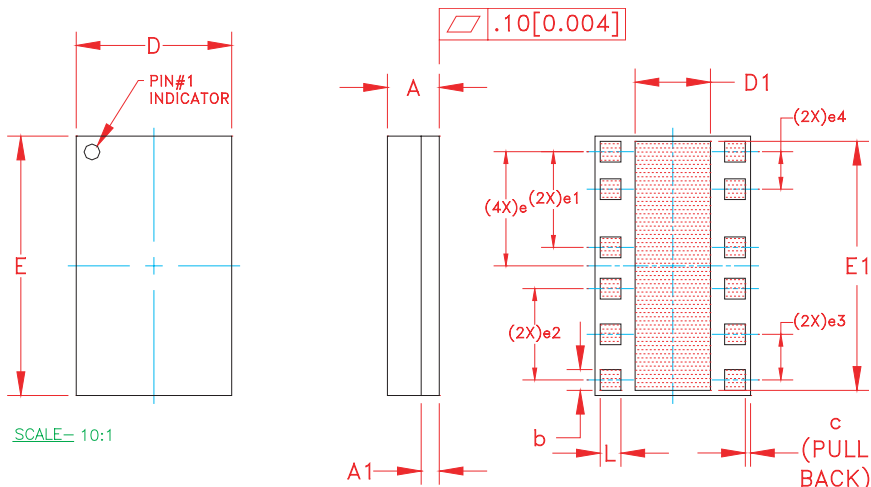
APPLICATION	P _{OUT} LEVELS	BIAS MODE	V _{REF}	V _{MODE}
CDMA - low power	≤28 dBm	Low	+2.85 V	+2.85 V
CDMA - high power	>16 dBm	High	+2.85 V	0 V
Shutdown	-	Shutdown	0 V	0 V



Note:
1. 3.9 nH Inductor should be rated for >1 Amp.

Figure 3: Application Circuit

PACKAGE OUTLINE



SCALE= 10:1

Symbol	MILLIMETERS			INCHES			NOTE
	MIN.	NOM.	MAX.	MIN.	NOM.	MAX.	
A	0.90	1.00	1.10	0.035	0.039	0.043	—
A1	—	0.35	—	—	0.014	—	—
b	0.35	—	0.60	0.014	—	0.024	3
c	—	0.10	—	—	0.004	—	—
D	2.88	3.00	3.12	0.113	0.118	0.122	—
D1	1.40	—	1.60	0.055	—	0.063	—
E	4.88	5.00	5.12	0.192	0.196	0.201	—
E1	4.75	—	4.85	0.187	—	0.190	—
e	—	2.20	—	—	0.087	—	3
e1	—	1.85	—	—	0.073	—	3
e2	—	1.75	—	—	0.069	—	3
e3	—	0.88	—	—	0.035	—	3
e4	—	0.71	—	—	0.028	—	3
L	0.35	—	0.60	0.014	—	0.024	3

NOTES:

1. CONTROLLING DIMENSIONS: MILLIMETERS
2. UNLESS SPECIFIED TOLERANCE=±0.076[0.003].
3. PADS (INCLUDING CENTER) SHOWN UNIFORM SIZE FOR REFERENCE ONLY. ACTUAL PAD SIZE AND LOCATION WILL VARY WITHIN MIN. AND MAX. DIMENSIONS ACCORDING TO SPECIFIC LAMINATE DESIGN.
4. UNLESS SPECIFIED DIMENSIONS ARE SYMMETRICAL ABOUT CENTER LINES SHOWN.

Figure 4: Package Outline - 12 Pin 3 mm x 5 mm x 1 mm Surface Mount Module

TOP BRAND



NOTES:

1. ANADIGICS LOGO SIZE: NONE
2. PART NUMBER: FOUR DIGIT NUMERICAL
3. WAFER LOT NUMBER: LLLL = LOT NUMBER
NN = WAFER I.D.
4. PIN 1 INDICATOR: LASER DOT
5. B.O.M. #: BBBB
6. COUNTRY CODE: CC = TH-for-THAILAND, TW-for-TAIWAN
CC = PH-for-PHILIPPINES, CH-for-CHINA
7. YEAR & WORK WEEK: YY = YEAR, WW = WORK WEEK
8. TYPE: ARIAL
SIZE: 1.5-POINT
COLOR: LASER

Figure 5: Branding Specification

ORDERING INFORMATION

ORDER NUMBER	TEMPERATURE RANGE	PACKAGE DESCRIPTION	COMPONENT PACKAGING
AWT6310RM23Q7	-30 °C to +85 °C	RoHS Compliant 12 Pin 3 mm x 5 mm x 1 mm Surface Mount Module	Tape and Reel, 2500 pieces per Reel
AWT6310RM23P9	-30 °C to +85 °C	RoHS Compliant 12 Pin 3 mm x 5 mm x 1 mm Surface Mount Module	Partial Tape and Reel

**ANADIGICS, Inc.**

141 Mount Bethel Road
Warren, New Jersey 07059, U.S.A.
Tel: +1 (908) 668-5000
Fax: +1 (908) 668-5132

URL: <http://www.anadigics.com>
E-mail: Mktg@anadigics.com

IMPORTANT NOTICE

ANADIGICS, Inc. reserves the right to make changes to its products or to discontinue any product at any time without notice. The product specifications contained in Advanced Product Information sheets and Preliminary Data Sheets are subject to change prior to a product's formal introduction. Information in Data Sheets have been carefully checked and are assumed to be reliable; however, ANADIGICS assumes no responsibilities for inaccuracies. ANADIGICS strongly urges customers to verify that the information they are using is current before placing orders.

WARNING

ANADIGICS products are not intended for use in life support appliances, devices or systems. Use of an ANADIGICS product in any such application without written consent is prohibited.