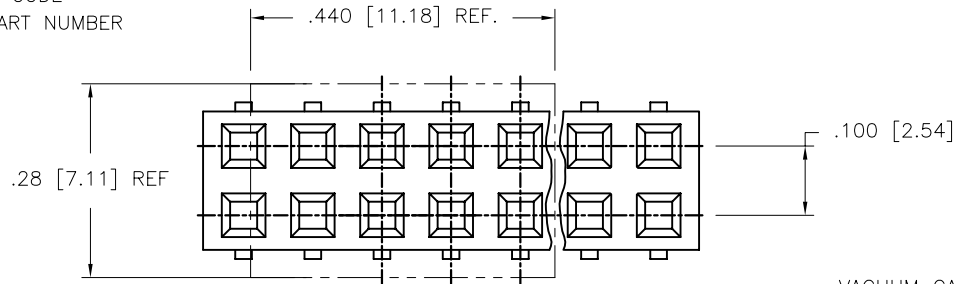


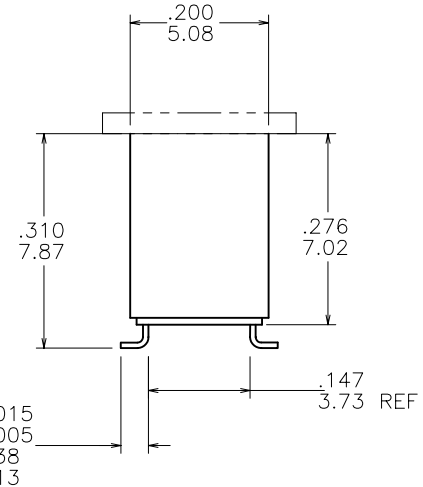
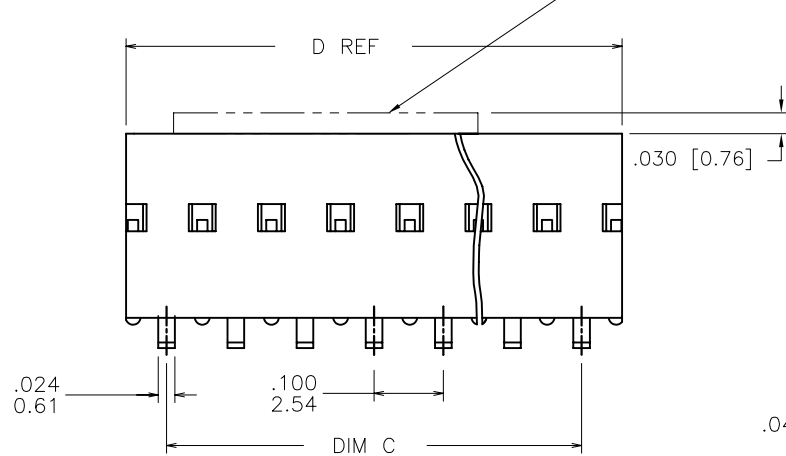
PRODUCT NUMBER  
SEE TABLE

68046 - XXX - LF

- LEAD FREE OPTION
- PACKAGING OPTION NOTE 6. OMIT IF NOT REQUIRED
- NO OF POSITIONS PER ROW
- PLATING CODE
- BASE PART NUMBER



VACUUM CAP FOR TAPE & REEL PACKAGING OPTION. NOTE 8



Copyright FCI

mat'l. code				surface ISO 1302 <input checked="" type="checkbox"/>		tolerance ISO 406 ISO 1101		projection 		product family DUBOX	
ltr	ecp no	dr	date	tolerances unless otherwise specified				INCH/MM		title SMT DOUBLE ROW VCC ASSEMBLY	
AM	v03-0309	HTB	04/26/03	angles	linear	.XX±.01/.X±.3		scale 1:1		dwg no 68046	
AN	v04-0986	DAI	10/13/04			.XXX±.005/.XX±.13				sheet 1 of 5 size A3	
AP	v04-1003	DAI	10/25/04	0°±2'		.XXXX±.0020/.XXX±.05				type Product Customer Drawing	
AR	v05-0463	DPU	06/28/05	dr	J. SHREINER	11/07/90					
AS	m07-0143	ERE	03/03/07	enrg	M. HAHN	11/07/90					
AT	m07-0203	AGS	5/02/07	chr	M. HAHN	11/07/90					
AU	m08-0065	MHT	3/04/05	appd	M. HAHN	11/07/90					
sheet	revision	AU	AU	AU	AU	AU	AU				
index	sheet	1	2	3	4	5					

form A3

PRODUCT NUMBER NOTE 15	PLATING CONTACT AREA	PLATING SOLDER TAIL	MATERIAL REF
68046-2XX	15μ"/.38μ Au MIN OVER 50μ"/1.27μ Ni MIN SEE NOTE 18	100μ"/160μ" SN 2.54μ"/4.06μ"	NOTE 3&4
68046-3XX	30μ"/.76μ Au MIN OVER 50μ"/1.27μ Ni MIN SEE NOTE 18	100μ"/160μ" SN 2.54μ"/4.06μ"	NOTE 3&4
68046-4XX	100μ"/2.54 SN MIN OVER 50μ"/1.27μ Ni MIN	100μ"/160μ" SN 2.54μ"/4.06μ"	NOTE 3,4&17
68046-6XX	30μ"/.76μ Au MIN OVER 50μ"/1.27μ Ni MIN SEE NOTE 18	100μ"/160μ" SN 2.54μ"/4.06μ"	NOTE 3&4
68046-8XX	30μ"/.76μ Au MIN OVER 50μ"/1.27μ Ni MIN	200μ"/5.08μ SL MIN	NOTE 3&4

OBsolete

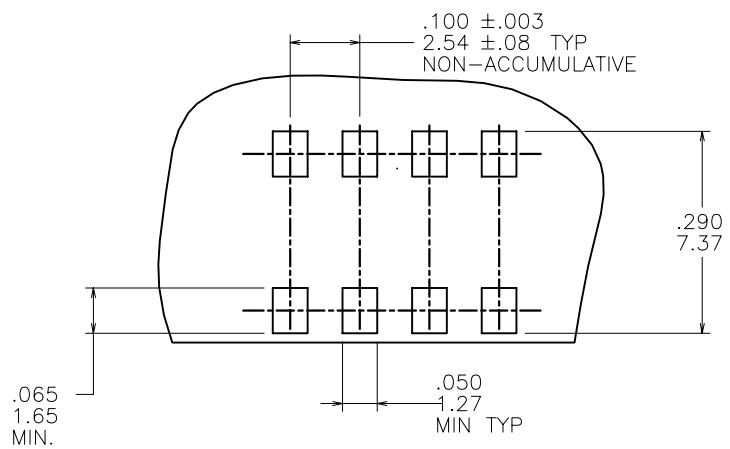


FIGURE A  
TOP ENTRY  
.025/.64 SQ PIN

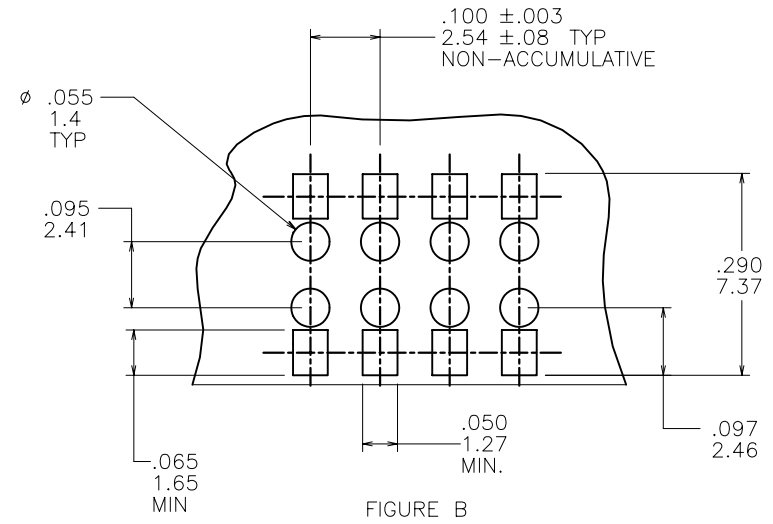


FIGURE B  
BOTTOM ENTRY (THROUGH PWB)  
.025/.64 SQ PIN

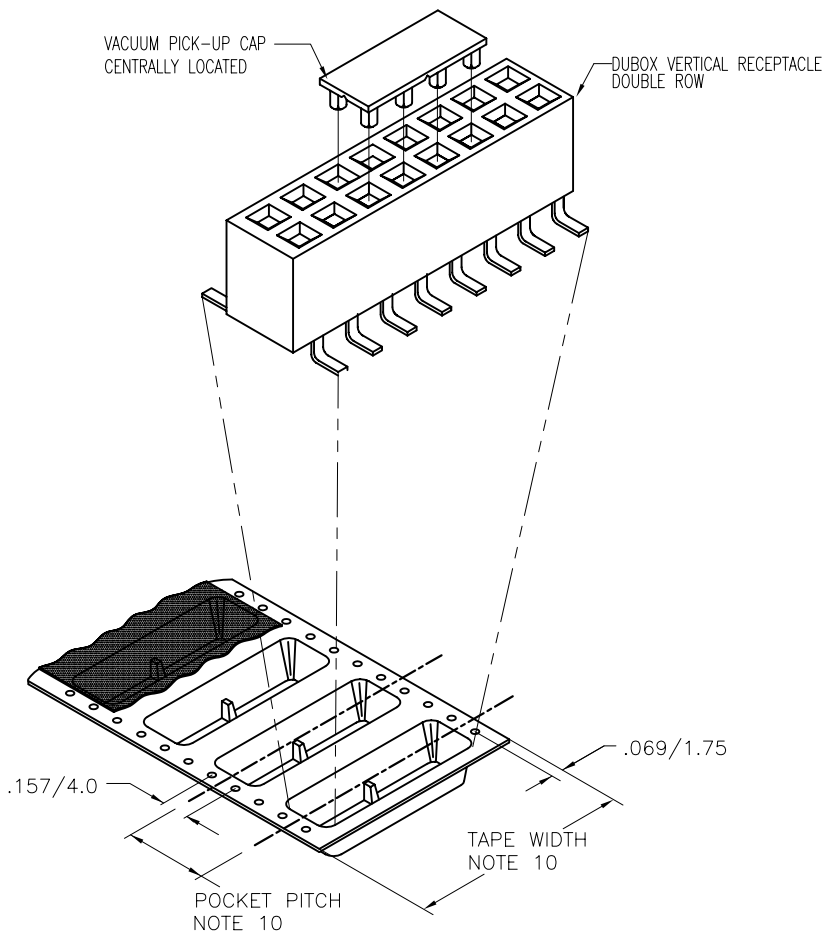


Copyright FCI

mat'l. code		surface ISO 1302		tolerance ISO 406 ISO 1101		projection INCH/MM		product family DUBOX	
ltr	ecr no	dr	date	tolerances unless otherwise specified		INCH/MM		title SMT DOUBLE ROW VCC ASSEMBLY	
AU				angles	linear	scale 1:1		dwg no 68046	
				0°±2'				sheet 2 of 5 size A3	
				dr	J. SHREINER	11/07/90		type Product Customer Drawing	
				enr	M. HAHN	11/07/90			
				chr	M. HAHN	11/07/90			
				appd	M. HAHN	11/07/90			
sheet index	revision sheet								

VACUUM PICK-UP CAP  
CENTRALLY LOCATED

DUBOX VERTICAL RECEPTACLE  
DOUBLE ROW



TAPE AND REEL PACKAGING

SEE NOTE 7

NOTES:

- ①. TERMINAL MATERIAL: PHOSPHOR BRONZE.  
EXTRA HARD
2. RECOMMENDED APPLICATION DATA:  
A. RECOMMENDED SOLDER PAD PATTERN IS SHOWN IN FIGURE A & B.  
B. ALL MATING PINS TO BE .025/.64 SQUARE ON TRUE CENTER OF  
ON GIVEN TERMINAL SPACING WITHIN .015/.38 DIA.  
C. SUGGESTED MATING PIN LENGTH .210±.010 [5.33±.51]
- ③. HOUSING MATERIAL: P.P.S. FILLED.  
FLAME RETARDANT PER UL-94-V0.  
COMPATIBLE WITH INFRA-RED SOLDERING.  
COLOR: BLACK  
PART WILL WITHSTAND EXPOSURE TO 260° C PEAK TEMPERATURE  
FOR 20 SEONDS IN WAVE SOLDER,INFRA-RED OR  
VAPOR PHASE SOLDER PROCESS.
- ④. PRESTAMPED POST PLATED TERMINAL.
5. FCI, FCI FINAL PART NUMBER AND DATE CODE  
TO BE MARKED ON TUBE LABEL.
6. ADD SUFFIX 'P' TO DASH NUMBER AS FOURTH DIGIT FOR TAPE & REEL  
PACKAGING.
- ⑦. TAPE AND REEL PACKAGING PER GES-14-334.
- ⑧. VACUUM CAP MATERIAL: L.C.P., FLAME RETARDANT UL 94 V-0.  
COLOR : BLACK  
CAP IS USED WITH TAPE AND REEL PACKAGING.  
CAP IS TO BE CENTRALLY LOCATED ON PART.
9. TAPE AND REEL PACKAGING FOR 24mm WIDE AND BELOW HAVE PILOT HOLES ON  
ONE SIDE OF TAPE ONLY. SIZES ABOVE 24mm HAVE PILOT HOLES ON BOTH  
OF TAPE.
- ⑩. TAPE & REEL PACKAGING 24mm AND 32mm TAPE WIDTH, WITH 112mm POCKET  
PITCH.
11. MAXIMUM LENGTH OF CONNECTOR FOR TAPE AND REEL PACKAGING IS 2.50  
LONG /63.5mm
- ⑫. PART NUMBER WITH SUFFIX "U" IS FOR SAWING PURPOSES ONLY.
13. STANDARD TUBE PACKAGE PER BUS-14-097/3.
- ⑭. TAPE & REEL PACKAGING 72mm TAPE WIDTH WITH 16mm POCKET PITCH.
- ⑮. ADD LF SUFFIX AT THE END OF PART NUMBER FOR LEAD FREE OPTION
16. THESE PRODUCTS MEETS EUROPEAN UNION DIRECTIVES AND OTHER  
COUNTRY REGULATION AS DESCRIBED IN GS-22-008.
- ⑰. "THIS PRODUCT HAS 100% TIN PLATING IN THE INTERFACE AND  
HAS NOT BEEN TESTED FOR WHISKER GROWTH IN ALL INTERCONNECT  
ENVIRONMENTS".
- ⑱. PLATING OPTIONS:  
MAY BE EITHER GOLD OR GXT PLATED AT MANUFACTURER'S OPTION.



Copyright FCI

mat'l. code		surface ISO 1302		tolerance ISO 406 ISO 1101		projection 		product family DUBOX	
ltr	ecn no	dr	date	tolerances unless otherwise specified				title SMT DOUBLE ROW VCC ASSEMBLY	
AU				angles	linear	INCH/MM			
				0°±2'	xxx±.01/xx±.3 xxx±.005/xx±.13 xxxx±.0020/xxx±.05	scale 1:1			
				dr	J. SHREINER	11/07/90		dwg no 68046	
				engr	M. HAHN	11/07/90		sheet 3 of 5 size A3	
				chr	M. HAHN	11/07/90		type Product Customer Drawing	
				appd	M. HAHN	11/07/90			
sheet	revision								
index	sheet								

PRODUCT NUMBER	NO. OF POS.	C DIM	D DIM	TAPE & REEL PACKAGING	LF OPTION
68046-Y02	2 X 2	.100/2.540	.217/5.511	NO	NOTE 15
-Y03	2 X 3	.200/5.080	.317/8.051	NO	
-Y04	2 X 4	.300/7.620	.417/10.591	NO	
-Y05	2 X 5	.400/10.160	.517/13.131	NO	
-Y06	2 X 6	.500/12.700	.617/15.671	NO	
-Y07	2 X 7	.600/15.240	.717/18.211	NO	
-Y08	2 X 8	.700/17.780	.817/20.751	NO	
-Y09	2 X 9	.800/20.320	.917/23.291	NO	
-Y10	2 X 10	.900/22.860	1.017/25.831	NO	
-Y11	2 X 11	1.000/25.400	1.117/28.371	NO	
-Y12	2 X 12	1.100/27.940	1.217/30.911	NO	
-Y13	2 X 13	1.200/30.480	1.317/33.451	NO	
-Y14	2 X 14	1.300/33.020	1.417/35.991	NO	
-Y15	2 X 15	1.400/35.560	1.517/38.531	NO	
-Y16	2 X 16	1.500/38.100	1.617/41.071	NO	
-Y17	2 X 17	1.600/40.640	1.717/43.611	NO	
-Y18	2 X 18	1.700/43.180	1.817/46.151	NO	
-Y19	2 X 19	1.800/45.720	1.917/48.691	NO	
-Y20	2 X 20	1.900/48.260	2.017/51.231	NO	
-Y21	2 X 21	2.000/50.800	2.117/53.771	NO	
-Y22	2 X 22	2.100/53.340	2.217/56.311	NO	
-Y23	2 X 23	2.200/55.880	2.317/58.851	NO	
-Y24	2 X 24	2.300/58.420	2.417/61.391	NO	
68046-Y25	2 X 25	2.400/60.960	2.517/63.931	NO	



Copyright FCJ

mat'l. code		surface ISO 1302 <input checked="" type="checkbox"/>		tolerance ISO 406 ISO 1101		projection 		product family DUBOX	
ltr	ecrn no	dr	date	tolerances unless otherwise specified		INCH/MM		title SMT DOUBLE ROW VCC ASSEMBLY	
AU				angles	linear	scale 1:1		dwg no 68046	
				0°±2°	xxx±.01/xx±.3 xxx±.005/xx±.13 xxxx±.0020/xxx±.05			sheet 4 of 5 size A3	
				dr	J. SHREINER	11/07/90		type Product Customer Drawing	
				engr	M. HAHN	11/07/90			
				chr	M. HAHN	11/07/90			
				appd	M. HAHN	11/07/90			
sheet index	revision sheet								

PROD. NUMBER	NO. POSI.	C DIM	D DIM	TAPE & REEL PACKAGING	LF OPTION
68046-Y26	2 X 26	2.500/63.500	2.617/66.471	NO	
-Y27	2 X 27	2.600/66.040	2.717/69.011	NO	
-Y28	2 X 28	2.700/68.580	2.817/71.551	NO	
-Y29	2 X 29	2.800/71.120	2.917/74.091	NO	
-Y30	2 X 30	2.900/73.660	3.017/76.631	NO	
-Y31	2 X 31	3.000/76.200	3.117/79.171	NO	
-Y32	2 X 32	3.100/78.740	3.217/81.711	NO	
-Y33	2 X 33	3.200/81.280	3.317/84.251	NO	
-Y34	2 X 34	3.300/83.820	3.417/86.791	NO	
-Y35	2 X 35	3.400/86.360	3.517/89.331	NO	
-Y36	2 X 36	3.500/88.900	3.617/91.871	NO	
-Y37	2 X 37	3.600/91.440	3.717/94.411	NO	
-Y38	2 X 38	3.700/93.980	3.817/96.951	NO	
-Y39	2 X 39	3.800/96.520	3.917/99.491	NO	
-Y40	2 X 40	3.900/99.060	4.017/102.031	NO	
-Y41	2 X 41	4.000/101.600	4.117/104.571	NO	
-Y42	2 X 42	4.100/104.140	4.217/107.111	NO	
-Y43	2 X 43	4.200/106.680	4.317/109.651	NO	
-Y44	2 X 44	4.300/109.220	4.417/112.191	NO	
-Y45	2 X 45	4.400/111.760	4.517/114.731	NO	
-Y46	2 X 46	4.500/114.300	4.617/117.271	NO	
-Y47	2 X 47	4.600/116.840	4.717/119.811	NO	
-Y48	2 X 48	4.700/119.380	4.817/122.351	NO	
-Y49	2 X 49	4.800/121.920	4.917/124.891	NO	
-Y50	2 X 50	4.900/124.460	5.017/127.431	NO	
-Y50U	2 X 50	4.900/124.460	5.017/127.431	NO	
-Y03P	2 X 3	0.200/5.080	0.317/8.051	YES	
-Y04P	2 X 4	0.300/7.620	0.417/10.592	YES	
-Y05P	2 X 5	0.400/10.160	0.517/13.131	YES	
68046-Y06P	2 X 6	0.500/12.700	0.617/15.671	YES	
68046-Y07P	2 X 7	0.600/15.240	0.717/18.211	YES	
<del>68046-Y12P</del>	<del>2 X 12</del>	<del>1.100/27.94</del>	<del>1.217/30.91</del>	<del>YES</del>	
68046-Y13P	2 X 13	1.200/30.48	1.317/33.45	YES	
68046-Y20P	2 X 20	1.900/48.260	2.017/51.231	YES	

NOTE 15

NOTE 12  
 NOTE 6 & 9  
 NOTE 6 & 10  
 NOTE 6 & 10  
 NOTE 6 & 10  
 NOTE 6 & 10  
 NOTE 6 & 9 — OBSOLETE  
 NOTE 6 & 14  
 NOTE 6 & 14



Copyright FCJ

mat'l. code		surface ISO 1302	tolerance ISO 406 ISO 1101	projection 	product family DUBOX
ltr	ecn no	dr	date	tolerances unless otherwise specified	title
AU				linear .XX±.01/.XX±.3 linear .XXX±.0.005/.XX±.13 linear .XXXX±.0020/.XXX±.05	SMT DOUBLE ROW VCC ASSEMBLY
				0°±2°	INCH/MM scale 1:1
		dr	J. SHREINER	11/07/90	dwg no
		engr	M. HAHN	11/07/90	68046
		chr	M. HAHN	11/07/90	sheet 5 of 5 size
		appd	M. HAHN	11/07/90	A3
sheet	revision				type
index	sheet				Product Customer Drawing