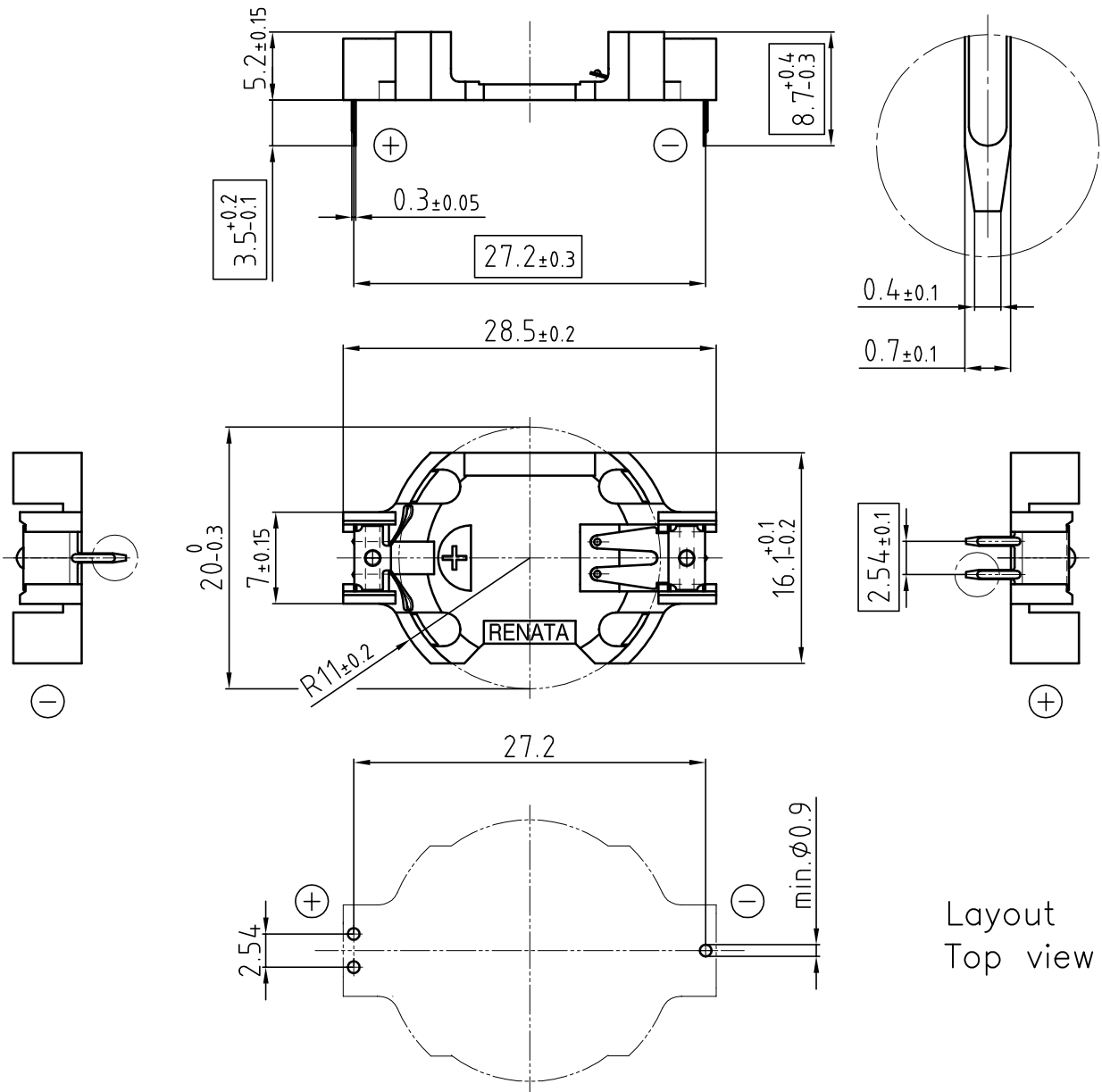


Art.-Number: 701106



Layout
Top view

Samples can deviate in the execution from the serie.

Dimensions and tolerances can be specified only after the testing of the devices for the mass production definitely

- Holder material : heat resistant, glass-fiber reinforced LCP
- Battery contacts : spring stainless steel 301 nickel plated throughout
- Solder contacts : spring stainless steel 301 solder area tin-plated throughout, min. thickness $5\mu\text{m}$

All framed values will be used for dimension checking !

Rev.	①	10.09.07	M Ci	Rev.	○			Customer's Approval		
Rev.	②	17.09.10	Wu Ping	Rev.	○			Date		
Rev.	○			Rev.	○			Signature		
Titel:							Scale 2:1	Drawn	20.01.05	SRi
HU2032-LF								Checked	23.09.10	SRi
								Approved		
				CH-4452 Itingen Switzerland			3.8751.4-2			

Mouser Electronics

Authorized Distributor

Click to View Pricing, Inventory, Delivery & Lifecycle Information:

[Renata:](#)

[HU2032-LF](#)