

PLEASE CHECK WWW.MOLEX.COM FOR LATEST PART INFORMATION

Part Number: [0428150012](#)
Status: **Active**
Overview:
Description: Mini-Fit Sr.™ Crimp Terminal, Female, 10 to 12 AWG Gold (Au)

Documents:

Test Summary (PDF)	Test Summary (PDF)
Drawing (PDF)	Product Specification PS-42815-001 (PDF)
Product Literature (PDF)	RoHS Certificate of Compliance (PDF)

General

Product Family	Crimp Terminals
Series	42815
Comments	High Current/Low Force
Overview	Mini-Fit Sr.™
Product Name	Mini-Fit Sr.™

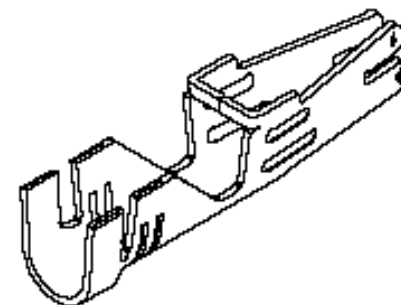
Physical

Gender	Female
Material - Metal	High Performance Alloy (HPA)
Material - Plating Mating	Gold
Material - Plating Termination	Tin
Packaging Type	Reel
Plating min: Mating (µin)	30
Plating min: Mating (µm)	0.75
Plating min: Termination (µin)	100
Plating min: Termination (µm)	2.5
Termination Interface: Style	Crimp or Compression
Wire Insulation Diameter	5.30mm (.209") max.
Wire Size AWG	10
Wire Size AWG	12
Wire Size mm²	N/A

Material Info

Reference - Drawing Numbers

Product Specification	PS-42815-001
Product Specification	RPS-42815-001
Product Specification	RPS-42815-011
Product Specification	RPS-42815-012
Product Specification	RPS-42815-013
Product Specification	RPS-42815-014
Product Specification	RPS-42815-015
Sales Drawing	SD-42815-*



Series image - Reference only

EU RoHS

**ELV and RoHS
Compliant**
**REACH SVHC
Contains SVHC: No**
**Halogen-Free
Status**

China RoHS



**Need more information on product
environmental compliance?**

Email productcompliance@molex.com
Please visit the [Contact Us](#) section for any
non-product compliance questions.

Search Parts in this Series

42815 Series

Application Tooling | FAQ

*Tooling specifications and manuals are
found by selecting the products below.
Crimp Height Specifications are then
contained in the Application Tooling
Specification document.*

Global

Description	Product #
Hand Crimper	0638111600
Manual Extraction Tool	0638130400
Mini-Mac™ Applicator	0638911100