



austriamicrosystems AG

is now

ams AG

The technical content of this austriamicrosystems datasheet is still valid.

Contact information:

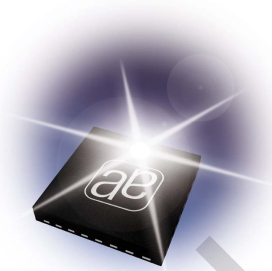
Headquarters:

ams AG
Tobelbaderstrasse 30
8141 Unterpremstaetten, Austria
Tel: +43 (0) 3136 500 0
e-Mail: ams_sales@ams.com

Please visit our website at www.ams.com

AS3685A/AS3685B

Ultra Small High Efficiency 1000mA Charge Pump for White LED Flash



1 General Description

The AS3685 is low noise high efficiency capacitive charge pump with 1:1, 1:1.5 and 1:2 operating modes in a small 3x3mm DFN10 or a tiny 2x1.5mm WL-CSP (Wafer Level Chip Scale Package) package. It can drive one flash led at up to 1000mA current. It supports flash/torch and indicator mode for the flash led.

Additionally the AS3685 limits the flash time automatically to protect the flash LED.

2 Key Features

- High Efficiency capacitive charge pump with 1:1, 1:1.5 and 1:2 modes
 - 1:2 Mode can be disabled (different device versions available)
- Up to 1000mA Led Current
- Automatic Charge Pump Mode switching (Up)
- LED cathode disconnect in Shutdown

- Overtemperature Protection
- Automatic 800ms Flash Timeout to protect the flash LED
- Two Device Variants:
 - AS3685A: Direct control to select three currents
 - AS3685B: Single Pin Interface or Two Pin Interface with Strobe Input; 17 different currents can be selected
- Package
 - DFN10 3x3mm (10 pins + exposed pad)
 - WL-CSP (Wafer Level Chip Scale Package) 3x4 balls 0.5mm pitch (2x1.5mm)

3 Applications

- Flash / Torch for Mobile Phones, Digital Cameras and PDA

4 Application Diagram

Figure 1 – Application Diagram of AS3685A/AS3685B

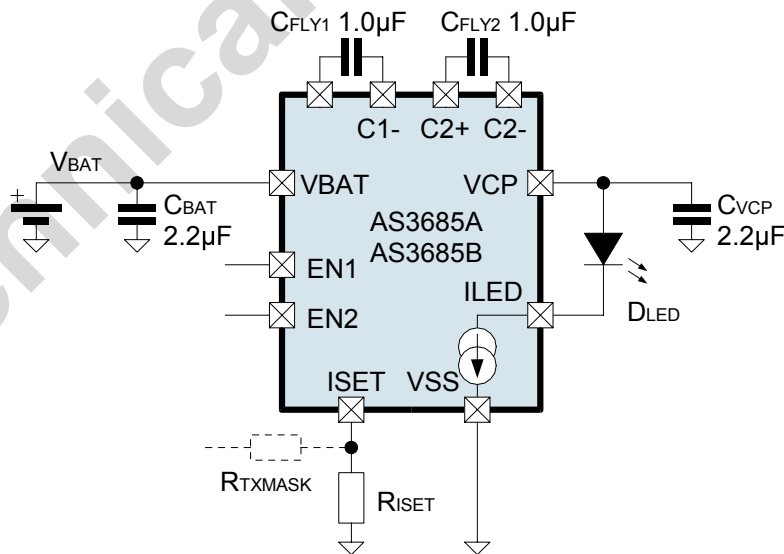


Table of Contents

1	General Description	1
2	Key Features	1
3	Applications	1
4	Application Diagram	1
5	Characteristics	3
5.1	Absolute Maximum Ratings	3
5.2	Operating Conditions	3
5.3	Electrical Characteristics	4
6	Typical Operation Characteristics	6
7	Detailed Functional Description	8
7.1	Low Noise Charge Pump	8
7.1.1	Mode Switching	8
7.1.2	Soft Start	9
7.2	Current Source (Sink)	9
7.2.1	AS3685A Current Setting	9
7.2.2	AS3685B Current Setting	12
7.2.3	AS3685A and AS3685B TXMask Function	15
7.3	Protection Functions	16
7.3.1	Overtemperature Protection	16
7.3.2	Flash Timeout	16
7.4	Layout Recommendations	16
8	External Components	17
8.1	Capacitor and Resistor Selection	17
8.2	Usage of PCB Wire Inductance	17
8.3	External Component Specifications	17
9	Pinout and Packaging	18
9.1	DFN10 3x3mm	18
9.1.1	Pin Assignments DFN10 3x3mm	18
9.1.2	Pin Descriptions DFN10 3x3mm	18
9.1.3	Package Drawings and Marking DFN10 3x3	19
9.2	WL-CSP 2x1.5mm (Wafer Level Chip Scale Package)	21
9.2.1	Pin Assignments WL-CSP 2x1.5mm	21
9.2.2	Pin Descriptions WL-CSP 2x1.5mm	21
9.2.3	Package Drawings and Marking WL-CSP 2x1.5mm	22
10	Ordering Information	23

5 Characteristics

5.1 Absolute Maximum Ratings

Stresses beyond those listed in Table 1 may cause permanent damage to the device. These are stress ratings only, and functional operation of the device at these or any other conditions beyond those indicated in Section 5 Electrical Characteristics is not implied.

Exposure to absolute maximum rating conditions for extended periods may affect device reliability.

Table 1 – Absolute Maximum Ratings

Symbol	Parameter	Min	Max	Unit	Note
VBATMAX	Maximum Supply Voltage	-0.3	7.0	V	
IIN	Input Pin Current without causing latchup	-25	+25	mA	At 25°C, Norm: Jedec 17
TSTRG	Storage Temperature Range	-55	125	°C	
	Humidity	5	85	%	Non condensing
VESD	Electrostatic Discharge	-1000	1000	V	Norm: MIL 883 E Method 3015
PT	Total Continuous Power Dissipation		1.14	W	DFN10 3x3mm, TA = 70°C ¹
			1.02	W	WL-CSP 2x1.5mm, TA = 70°C ¹
PDERATE	PT Derating Factor ²		16.3	mW/°C	DFN10 3x3mm
			14.7	mW/°C	WL-CSP 2x1.5mm
TJUNC	Junction Temperature		150	°C	
TBODY	Body Temperature during Soldering		260	°C	according to IPC/JEDEC J-STD-020C

Notes:

- Depending on actual PCB layout and PCB used; for peak power dissipation during flashing see document 'AS3685 Thermal Measurements'. For 1A flash current see application notes 'AN3685_1Aflash' and 'AN3685_1Aflash_thermal_1v0'.
- The PT derating factor changes the total continuous power dissipation, if the ambient temperature is different to 70°C. Therefore for e.g. 85°C calculate $PT_{85°C} = PT - PDERATE * (85°C - 70°C)$

5.2 Operating Conditions

Table 2 – Operating Conditions

Symbol	Parameter	Min	Typ	Max	Unit	Note
VBAT	Battery Supply Voltage	3.0	3.6	5.5	V	Supply voltage range
VBATFUNC	Battery Supply Voltage, Functionally working	2.6			V	AS3685 functionally working, but not all parameters fulfilled
IBAT	Operating Current			0.4	A	Depending on load current and charge pump mode
				2.0	A	Limited lifetime, max 20,000s
TAMB	Ambient Temperature	-30	25	85	°C	
I _{OFF}	Off mode current		1.0	4.0	μA	EN1 = 0, EN2 = 0; VBAT ≤ 4.2V

Datasheet

Table 2 – Operating Conditions

Symbol	Parameter	Min	Typ	Max	Unit	Note
IOPERATING	Power Consumption without load		0.85		mA	1:1 Mode
			6.6		mA	1:1.5 Mode
			8.1		mA	1:2 Mode

5.3 Electrical Characteristics

Table 3 – Charge Pump Characteristics

Symbol	Parameter	Min	Typ	Max	Unit	Note
VCP _{OUT}	V(VCP) Output voltage without load – do not short to VSS			V _{BAT} * CP-mode	V	CP-mode is 1, 1.5 or 2 (automatically selected)
	Output limitation		5.4	5.6		internally limited
R _{CP}	Charge Pump effective Resistance		0.28	0.53	Ω	1:1 Mode V _{BAT} = 3.6V, I _{CP_{OUT}} = 200mA
			1.37	2.00	Ω	1:1.5 Mode V _{BAT} = 3.3V, I _{CP_{OUT}} = 500mA, T _{JUNCTION} ≤ 85°C
			1.95	2.44	Ω	1:2 Mode V _{BAT} = 3.0V, I _{CP_{OUT}} = 700mA, T _{JUNCTION} ≤ 85°C
Eta	Efficiency	75		93	%	V _{in} = 3.0V-4.5V, I _{out} = 100mA (Charge Pump alone)
V _{RI} PPLE	Output ripple voltage		100		mVpp	V _{in} = 3.0-4.5V, I _{out} = 350mA,
f _{clk}	Operating Frequency	-20%	1.0	+20%	MHz	
t _{UP_DEB_LONG}	Initial Mode Switching Debounce Time		256		μs	Mode switching up-debounce time after enabling of the charge pump or after mode switching between 1:1 to 1:1.5
t _{UP_DEB}	Mode Switching Debounce Time		16		μs	Mode switching up-debounce time in normal operation

Table 4 – Current Source (Sink) Characteristics

Symbol	Parameter	Min	Typ	Max	Unit	Note
I _{LED}	Output Current Range		700	1000	mA	700mA: R _{ISET} = 14.2kΩ 1000mA: R _{ISET} = 10kΩ
I _{ACCURACY}	Current Setting Accuracy	-10%	500	+10%	mA	Measured with R _{ISET} = 19.9kΩ and maximum flash current
V _{ISET}	Current Generator Set Point Voltage (pin ISET)		1.3		V	I _{ISET} = V _{ISET} / R _{ISET} if the resulting bias current is higher than 200μA (typ.), the current source is disabled
I _{ISET}	Current Generator operating range	10.0		130	μA	
I _{FLASH2ISET}	Flash Current to Bias Current Ratio		7650		A/A	AS3685A, EN1=1, EN2=1 or AS3685B at full flash current (700mA with R _{ISET} = 14.2kΩ)

Datasheet

Table 4 – Current Source (Sink) Characteristics

Symbol	Parameter	Min	Typ	Max	Unit	Note
ITORCH2ISET	Torch Current to Bias Current Ratio		1639		A/A	AS3685A, EN1=0, EN2=1 (150mA with R _{ISET} = 14.2kΩ)
VSWITCH	Mode Switching Threshold on V(I _{LED}) between 1:1 -> 1:1.5 and 1:1.5 -> 1:2		400		mV	AS3685A, EN1=1, EN2=1 or AS3685B with I _{LED} >350mA (with R _{ISET} = 14.2kΩ)
		150	200	250	mV	All lower currents

Table 5 – Digital Interface characteristics

Symbol	Parameter	Min	Typ	Max	Unit	Note
V _{IH}	High Level Input voltage	1.5		V _{BAT}	V	For Pins EN1 and EN2
V _{IL}	Low Level Input voltage	0.0		0.5	V	
I _{LEAKAGE}	Input pin leakage current	-10		10	μA	Do not leave EN1 and EN2 floating; (47kΩ pulldowns can be used)
t _{PULSEWIDTH}	Pulsewidth for signals on EN1 and EN2 (high or low pulses)	1.0		unlimited	μs	

Table 6 – Protection Functions

Symbol	Parameter	Min	Typ	Max	Unit	Note
T _{OVTEMP}	Overtemperature protection		140		°C	If the junction temperature exceeds T _{OVTEMP} , the current sink will be disabled and the charge pump switched back into 1:1 mode until the temperature drops below T _{OVTEMP} - T _{OVTEMPHYST}
T _{OVTEMPHYST}	Overtemperature protection Hysteresis		5		°C	
t _{FLASHTIMEOUT}	Flash Timeout Time	-20%	800	+20%	ms	AS3685A, EN1=1, EN2=1 or AS3685B flash modes

6 Typical Operation Characteristics

Figure 2 – Efficiency vs. Battery Voltage (with Lumiled PWF1)

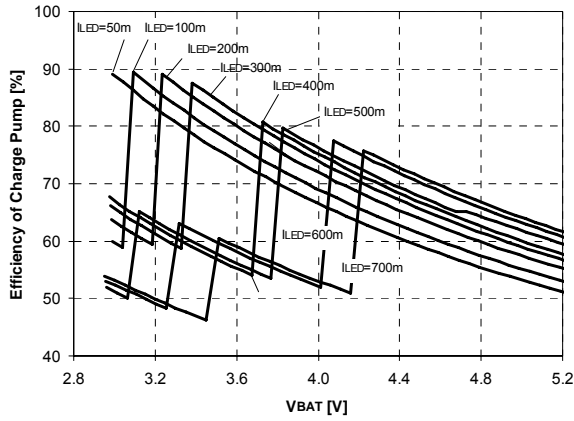


Figure 3 – Battery Current vs. Battery Voltage (with Lumiled PWF1)

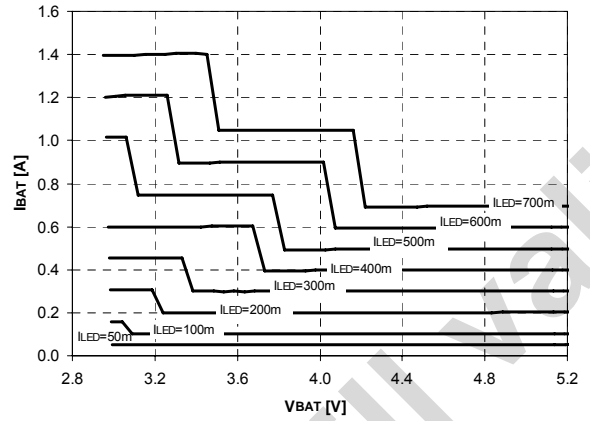


Figure 4 – LED current I(LED) vs. Battery Voltage (with Lumiled PWF1)

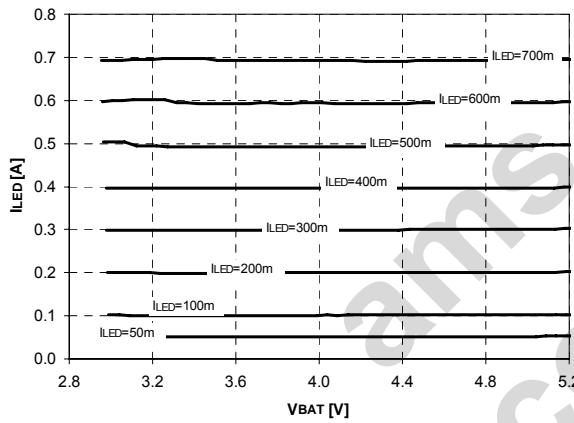


Figure 5 – Linearity of Current Sink

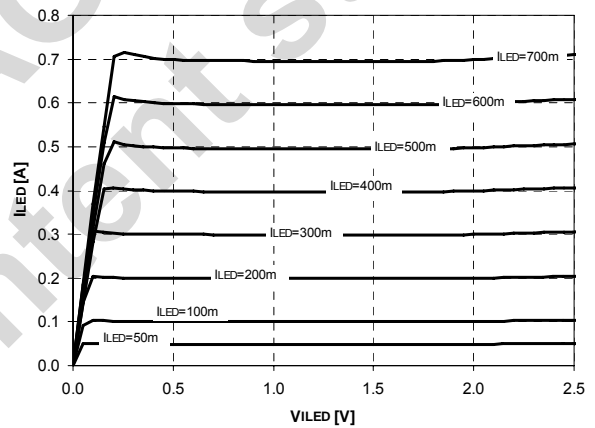


Figure 6 – I(LED) vs. R(ISET) (Flash and Torch Mode of AS3685A)

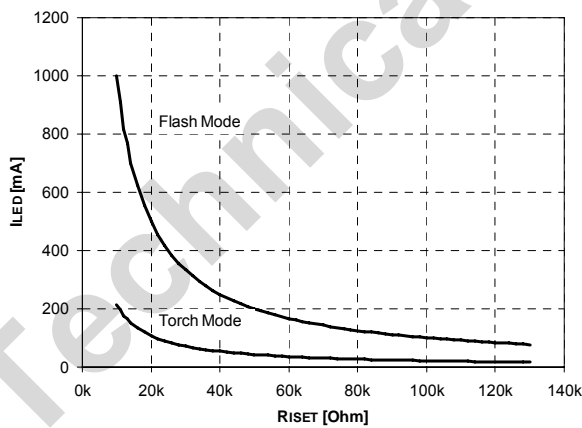


Figure 7 – Startup of AS3685A -- ILED Current

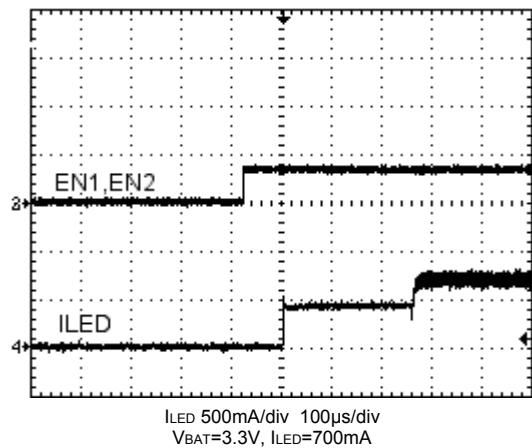


Figure 8 – Startup of AS3685A -- IBAT Current

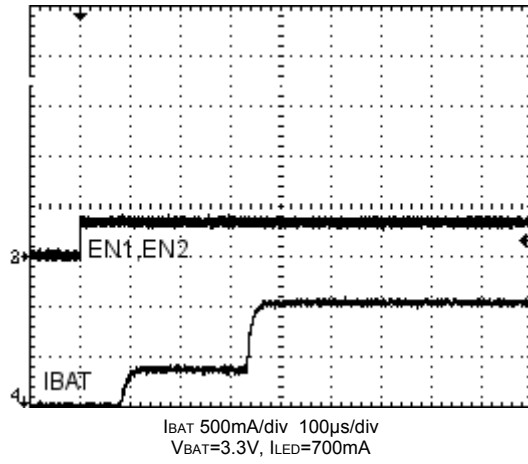


Figure 9 – Shutdown of AS3685A -- IBAT Current

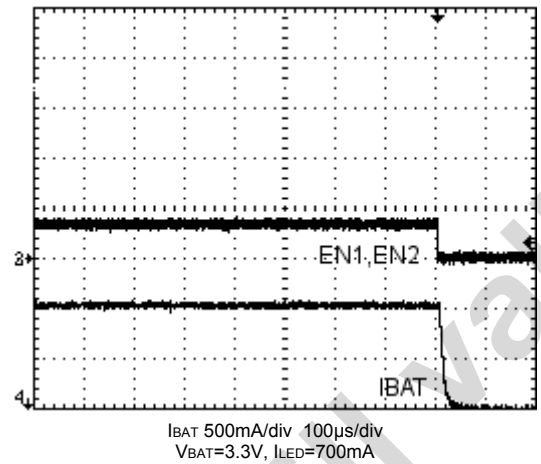


Figure 10 – Typical Operating Waveforms 1:1.5 Mode

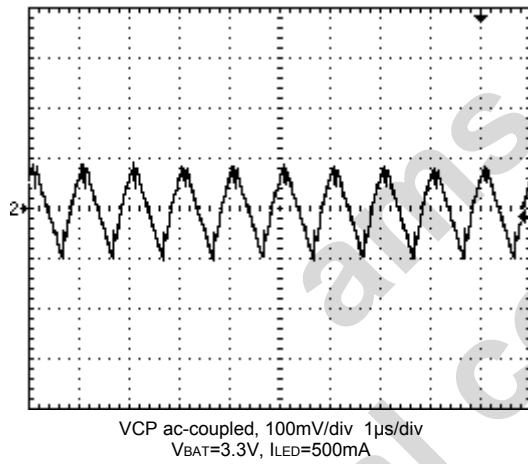
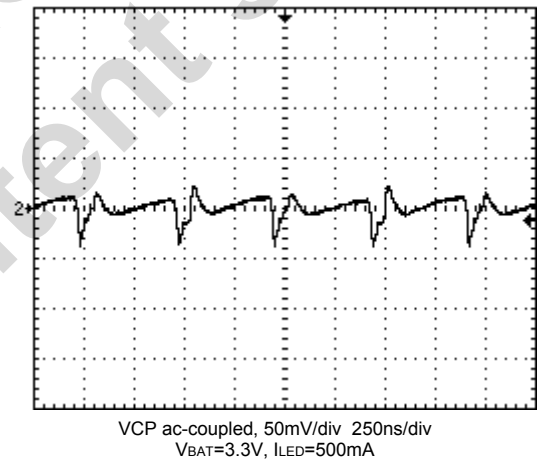
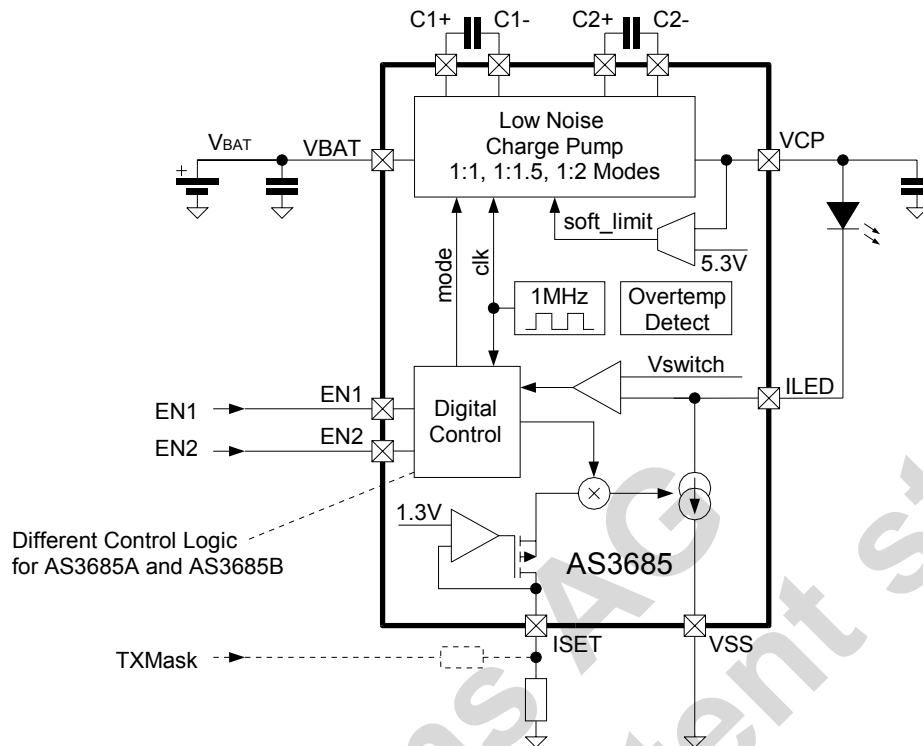


Figure 11 – Typical Operating Waveforms 1:2 Mode



7 Detailed Functional Description

Figure 12 – Internal Circuit Diagram of AS3685A/AS3685B



7.1 Low Noise Charge Pump

The AS3685 charge pump uses two external flying capacitors to generate output voltages higher than the battery voltage. The charge pump can operate in three different modes:

- 1:1 Bypass Mode or Off Mode
 - Battery input and output are connected by a low-impedance switch
 - Battery current = output current
- 1:1.5 Mode
 - The output voltage is 1.5 times the battery voltage (without load)
 - Battery current = 1.5 times output current
- 1:2 Mode
 - The output voltage is 2 times the battery voltage (without load)
 - Battery current = 2 times output current

The flying capacitors are switched at the fixed frequency f_{clk} .

7.1.1 Mode Switching

The AS3685 monitors the voltage at the current sink $V(I_{LED})$ and if this voltage falls below V_{SWITCH} , for a time longer than the debounce time, the charge pump automatically switches into a higher mode. The debounce time is set to $t_{UP_DEB_LONG}$ at enabling of the charge pump or immediately after a 1:1 to 1:1.5 mode change. Afterwards the debounce time is reduced to t_{UP_DEB} . (This allows the LED current to settle properly on startup or after a mode change)

The charge pump enters always 1:1 mode in off mode or in case of overtemperature.

It is possible to avoid the 1:2 mode (factory programmable) to limit the battery current to 1.5 times the output (=LED) current.

7.1.2 Soft Start

The soft start mechanism reduces the inrush current. Battery current is smoothed when switching the charge pump on and also at each switching condition. This precaution reduces electromagnetic radiation significantly.

7.2 Current Source (Sink)

The AS3685 operates in three different modes:

- Indicator Mode: A small (average) current is used to obtain an indication function with the flash LED (e.g. indication for camera operation)
- Torch Mode: A moderate current of e.g. 150mA allows the use of the flash LED as a torch or video light
- Flash Mode: A high current of e.g. 700mA (up to 1000mA) is set for a high brightness flash. Only in this mode, the flash timeout timer limits the total flash time.
- Pulsed Indicator Mode (only AS3685A): The control device sends a short sequence to the AS3685A and the AS3685A enables the flash LED for a defined fixed duration (torch current setting). This duration is controlled by the AS3685A and the control device does not need to start an internal timer function.

The current through the LED and the operating mode is controlled by the two digital pins EN1 and EN2. There are two versions of the AS3685 available: AS3685A and AS3685B. The only difference between these versions is the digital interface as shown below:

7.2.1 AS3685A Current Setting

For the AS3685A, the operating mode and the current through the LED is defined by the following table:

Table 7 – AS3685A Current Settings

EN1	EN2	Mode	I _{LED} for R _{ISET} =		Percent of Full Scale	I _{LED} /I _{SET}
			14.2kΩ	10kΩ		
0	0	Off	0mA	0mA	0%	0 (Off)
1	0	Indicator	4.7mA average (=150mA with 1/32 duty cycle ¹⁾)	6.7mA average (=214mA with 1/32 duty cycle ¹⁾)	0.67% (=21.4% / 32)	52.2 (=I _{TORCH2} I _{SET} /32)
0	1	Torch	150mA	214mA	21.4%	1639 (=I _{TORCH2} I _{SET})
1	1	Flash	700mA	1000mA	100%	7650 (=I _{FLASH2} I _{SET})

Notes:

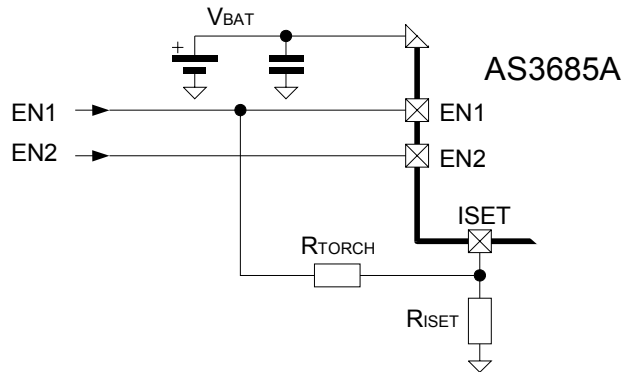
- 1) The on-time for indicator mode is 1μs, off time 31μs (32μs = 32.25kHz)

Where I_{SET} is:

$$I_{SET} = \frac{V_{ISET}}{R_{ISET}} = \frac{1.3V}{R_{ISET}}$$

Application Hint: To obtain higher torch currents use the following circuit:

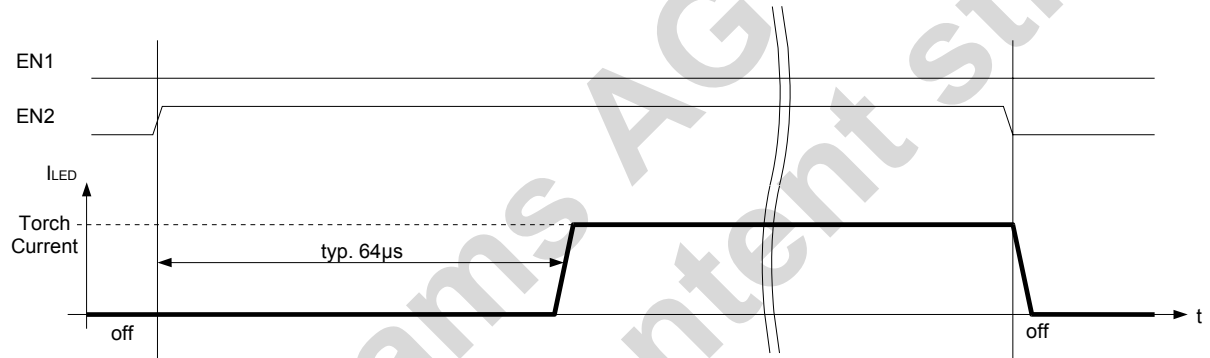
Figure 13 – AS3685A Increasing Torch Current



7.2.1.1 AS3685A Pulsed Indicator Mode

The torch mode is controlled by $EN1=0$ and $EN2=1$ as following figure shows:

Figure 14 – AS3685A Torch Mode

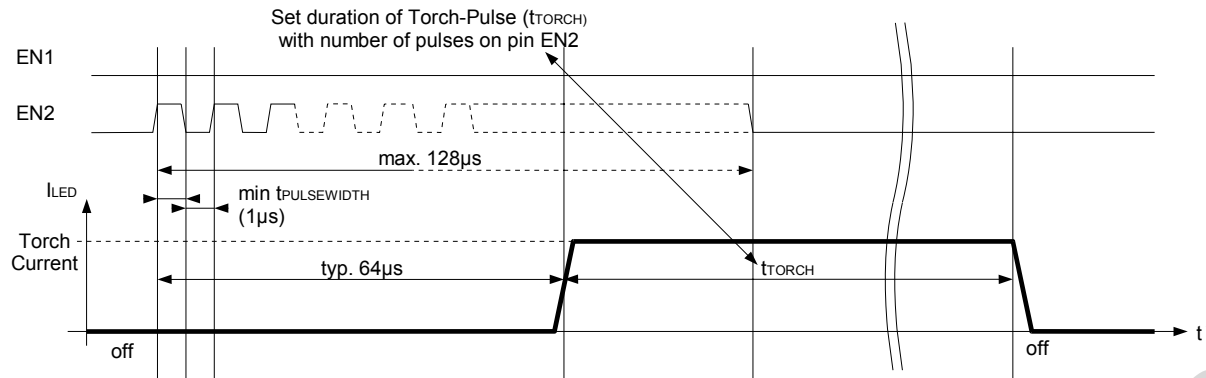


To allow an indication function using short pulses (with torch current settings), the pulsed indicator mode can be used. The control device sends a setup sequence (total time required: less than $128\mu\text{s}$) to 'program' the AS3685A, and the AS3685A enables its current sink for the duration t_{TORCH} (the current used is exactly the torch current setting). Therefore the control does not need to setup an timer to accurately define the duration of the indicator pulse.

The duration t_{TORCH} can be setup from 1ms to 15ms depending on the number of pulses on EN2 as shown in the following figure and table:

Datasheet

Figure 15 – AS3685A Pulsed Indicator Mode

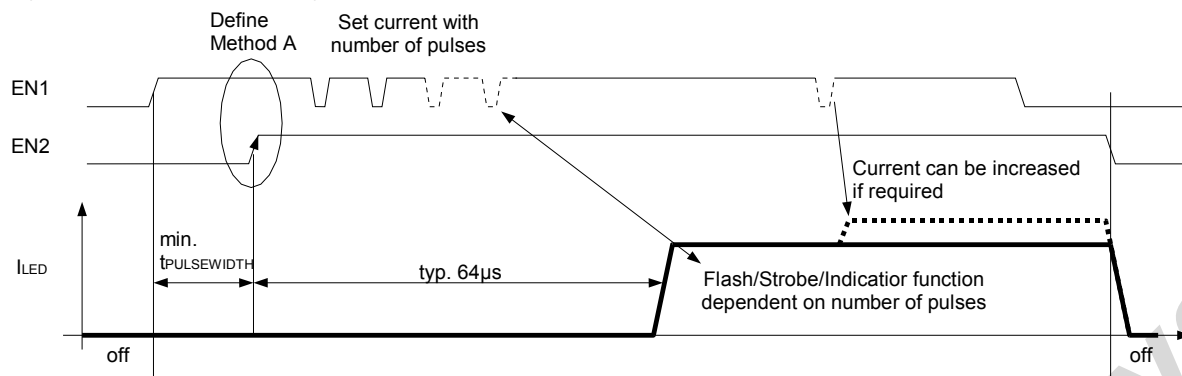
Table 8 – AS3685A t_{TORCH} timings

H-L Pulses on EN2	t_{TORCH}
1,2	0ms ignored (noise filter)
3	1ms
4	2ms
5	3ms
6	4ms
7	5ms
8	6ms
9	7ms
10	8ms
11	9ms
12	10ms
13	11ms
14	12ms
15	13ms
16	14ms
≥ 17	15ms

7.2.2 AS3685B Current Setting

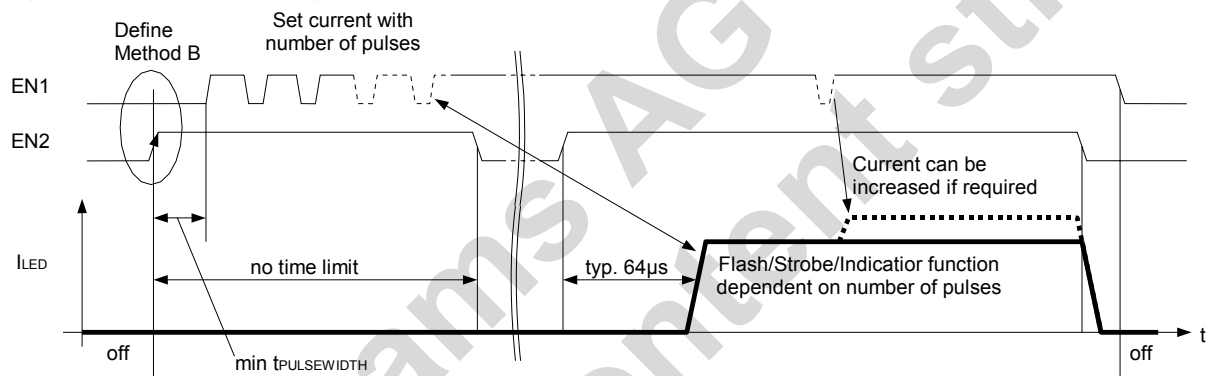
The current through the LED (I_{LED}) can be set in several steps using the following waveforms:

Figure 16 – AS3685B Current Setting Method A



For method A, the current is started after a certain time after the first rising edge of EN1. The AS3685B chooses method A, if EN1 is high at the first rising edge of EN2.

Figure 17 – AS3685B Current Setting Method B



For method B, the current is started after the second rising edge of EN2. The AS3685B chooses method B, if EN1 is low at the first rising edge of EN2.

Any high or low level duration for EN1 or EN2 should not be shorter than $t_{PULSEWIDTH}$.

The actual number of pulses on the pin EN1 (applies for methods A and B) define the mode and the current settings for the AS3685B:

Table 9 – AS3685B Current Settings

H-L-H Pulses on EN1	Mode	I_{LED} (for $R_{ISET} = 14.2k\Omega$)	I_{LED} (for $R_{ISET} = 10k\Omega$)	I_{LED}/I_{ISET}
EN1=EN2=0	Off	0mA	0%	0 (Off)
0	Indicator	4.7mA average (=150mA with 1/32 duty cycle ¹⁾)	6.7mA (=214mA with 1/32 duty cycle ¹⁾)	52.2 (= $I_{TORCH2ISET}/32$)
1		Torch	41mA	60mA
2	85mA		120mA	929
3	129mA		180mA	1410
4	173mA		250mA	1891
5	Flash	217mA	310mA	2371
6				

Table 9 – AS3685B Current Settings

H-L-H Pulses on EN1	Mode	I _{LED} (for R _{ISET} = 14.2kΩ)	I _{LED} (for R _{ISET} = 10kΩ)	I _{LED} /I _{ISET}
7	Flash	261mA	370mA	2852
8		305mA	440mA	3333
9		349mA	500mA	3814
10		393mA	560mA	4295
11		437mA	620mA	4776
12		481mA	690mA	5257
13		525mA	750mA	5737
14		569mA	810mA	6218
15		613mA	880mA	6699
16		657mA	940mA	7180
17		700mA	1000mA	7650 (=I _{FLASH2ISET})

Notes: 1) The on-time for indicator mode is 1μs, off time 31μs (32μs = 32.25kHz)

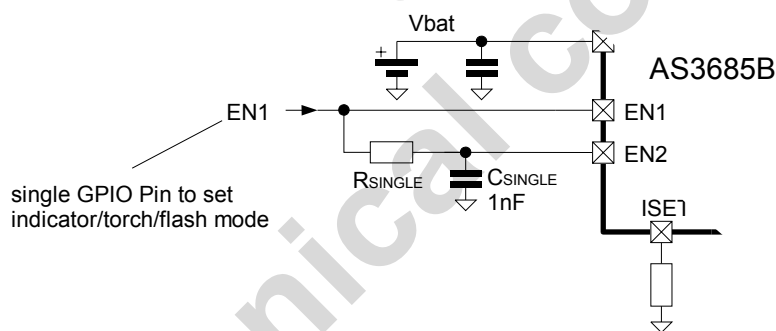
Where I_{ISET} is:

$$I_{ISET} = \frac{V_{ISET}}{R_{ISET}} = \frac{1.3V}{R_{ISET}}$$

7.2.2.1 AS3685B Single Wire Interface

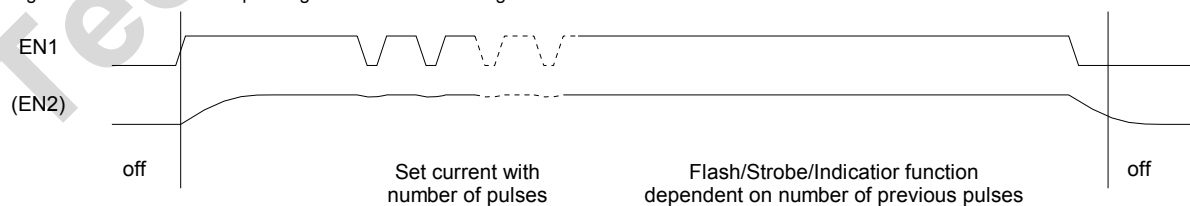
Using the following application schematic, a single GPIO pin can be used to control the mode and current of the AS3685B:

Figure 18 – AS3685B Single Wire Interface



An example driving waveform can be (this uses method A as shown above in section 'AS3685B Current Settings'):

Figure 19 – AS3685B Example Single Wire Interface driving waveform

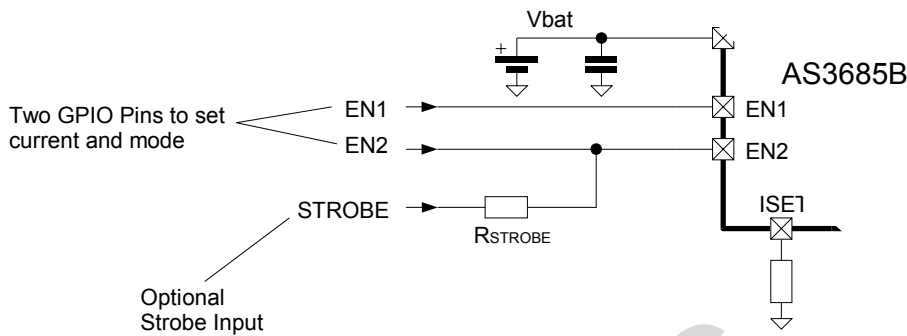


The low time of the pulses on EN1 for setting the current should be kept short. Then the (generated) signal on pin EN2 will stay at a high level during this time ensuring correct operation. RSINGLE should be chosen to fit to the actual driving waveform on EN1.

7.2.2.2 AS3685B Two Wire Interface with Strobe Input

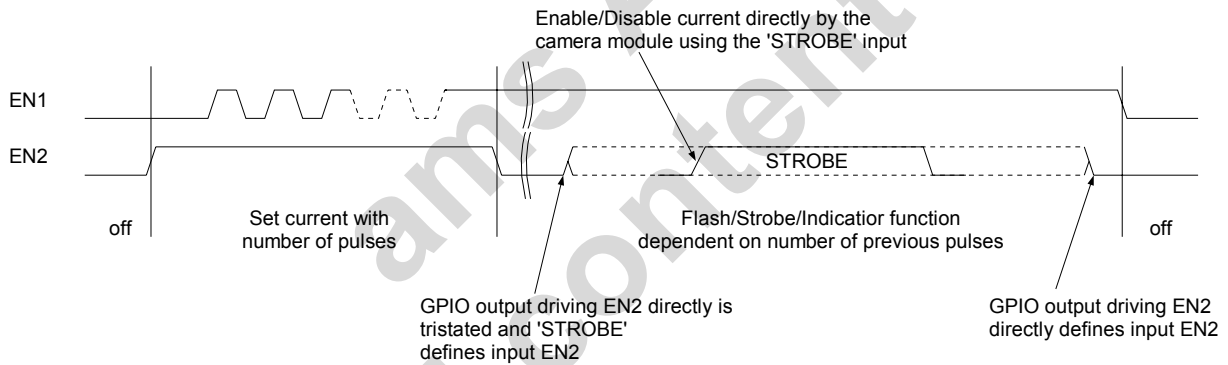
Using the following application schematic, the AS3685B current and mode can be set accurately and the camera can directly control the exact strobe time:

Figure 20 – AS3685B Two Wire Interface with strobe input



An example driving waveform can be (this uses method B as shown above in section 'AS3685B Current Settings'):

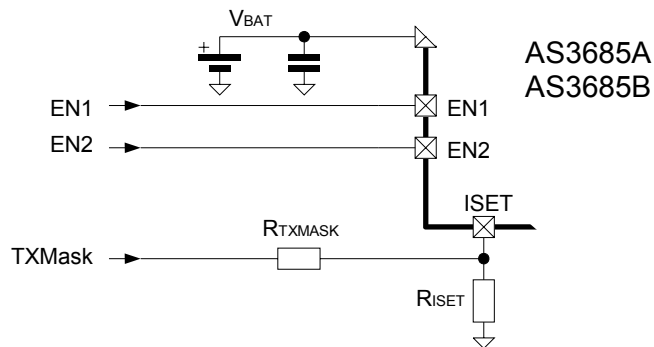
Figure 21 – AS3685B Example Two Wire Interface driving waveform



7.2.3 AS3685A and AS3685B TXMask Function

If the battery has to supply two high currents at the same time (e.g. the AS3685 flash and a RF-power amplifier) it is possible, that the total current causes a high voltage drop on the battery resulting in a shutdown of the complete system. In order to avoid this shutdown, the AS3685 (AS3685A or AS3685B) can reduce its current with the signal 'TXMask' using the following circuit:

Figure 22 – TXMask function of the AS3685



The TXMask signal is connected to e.g. the (RF-) power amplifier enable pin (active high if the PA is enabled). This reduces the flash current if the power amplifier is enabled and avoids the unexpected shutdown of the system.

Note: The internal flash timeout timer ($t_{FLASHTIMEOUT}$) to limit the total flash duration, is not affected by the TXMask function (see also section 'Flash Timeout').

The I_{ISET} current (current into the pin ISET) for TXMask = 0 can be calculated with:

$$I_{ISET, TXMask=0} = \frac{V_{ISET}}{R_{ISET}} + \frac{V_{ISET}}{R_{TXMASK}} = \frac{1.3V}{R_{ISET}} + \frac{1.3V}{R_{TXMASK}}$$

For TXMask = 1 the current I_{ISET} is reduced to:

$$I_{ISET, TXMask=1} = \frac{V_{ISET}}{R_{ISET}} + \frac{V_{ISET} - V(TXMask)}{R_{TXMASK}} = \frac{1.3V}{R_{ISET}} + \frac{1.3V - V(TXMask)}{R_{TXMASK}}$$

$V(TXMask)$ is the actual voltage for the high level ('1') for the signal TXMask

The maximum flash current I_{LEDMAX} for TXMask=0 or 1 can be calculated according to the following formula using the above obtained I_{ISET} values:

$$I_{LEDMAX} = I_{FLASH2BIAS} I_{ISET} = 7650 \cdot I_{ISET}$$

Choose the values for R_{ISET} and R_{TXMASK} according to your application requirements.

7.3 Protection Functions

7.3.1 Overtemperature Protection

If the AS3685 junction temperature exceeds T_{OVTEMP} , the current sink will be disabled and the charge pump forced into 1:1 mode. If the junction temperature drops below $T_{OVTEMP} - T_{OVTEMPHYST}$, the device enables the current sink again and the charge pump resumes normal operation.

7.3.1.1 LED Shortcircuit protection

If the LED is shorted (VCP to ILED), then depending on the set current and the resulting high power dissipation inside the AS3685, the overtemperature protection will trigger. This protects the AS3685 and the system against damage. If the AS3685 is in off-mode, then shorting of the diode will have no influence on the system.

Note: Do not short VCP to VSS if the supply is not current limited (e.g. by an internal protection inside the battery), as there is an internal diode between VBAT (anode) and VCP (cathode).

7.3.2 Flash Timeout

The flash duration of a single flash is limited automatically to $t_{FLASHTIMEOUT}$ (applies only for 'Flash' mode(s)). This protects the flash LED against thermal damage.

7.4 Layout Recommendations

To improve the heat dissipation, use a massive ground plane.

Figure 23 – AS3685 DFN10 3x3mm Layout Recommendation

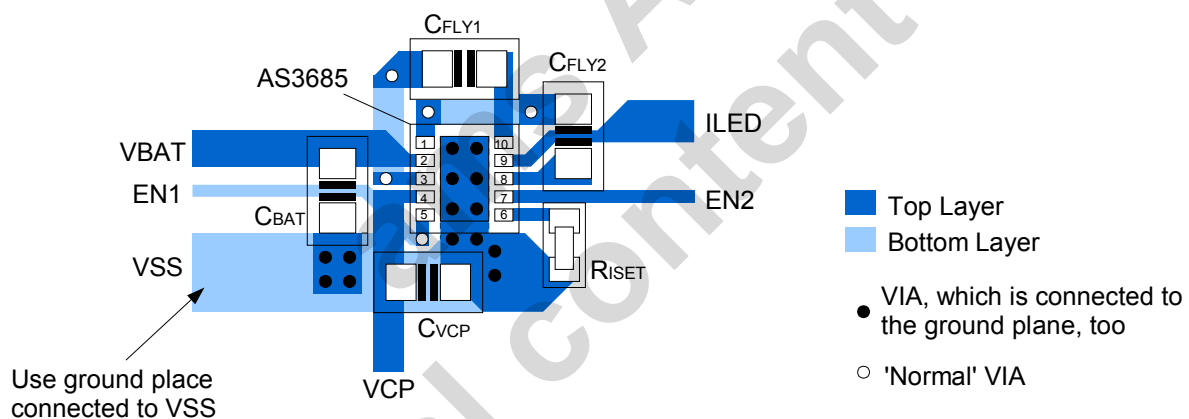
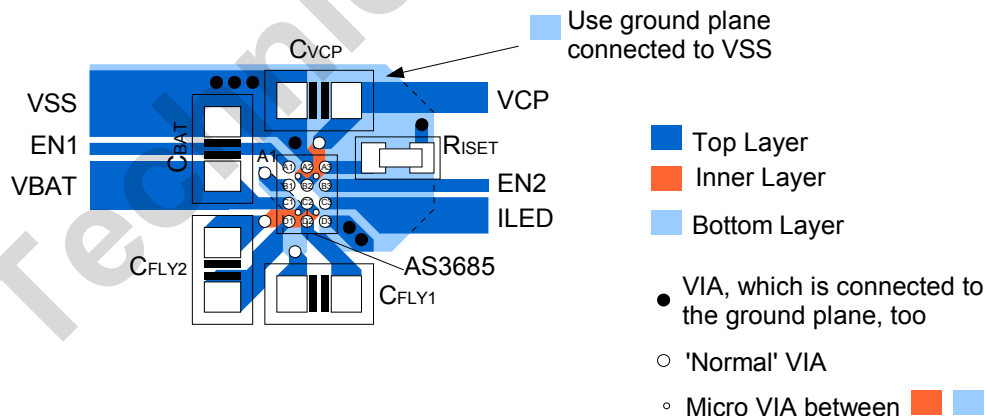


Figure 24 – AS3685 WL-CSP 2x1.5mm Layout Recommendation



8 External Components

8.1 Capacitor and Resistor Selection

Use low-ESR ceramic capacitors with X7R or X5R dielectric. These capacitors allow good filtering and have a wide temperature range. The connections of all external capacitors should be kept as short as possible. All resistors should have a tolerance of $\pm 1\%$.

8.2 Usage of PCB Wire Inductance

The inductance between the battery and pin VBAT can be used as a filter to reduce disturbance on the battery. Instead of using one capacitor (CBAT) it is recommended to split CBAT into CBAT1 and CBAT2 with the capacitance of

$$CBAT1 = CBAT2 = CBAT$$

It is recommended to apply a minimum of 20nH (maximum 200nH) with low impedance. This inductance can be realized on the PCB without any discrete coil. Assuming that a 1mm signal line corresponds to approximately 1nH (valid if the length (L) is significantly bigger than the width (W) of the line ($L/W < 10$)), a line length of

$$20\text{mm} < L < 200\text{mm}$$

is recommended. The shape of the line is not important.

Figure 25 – PCB Wire Inductance Example1

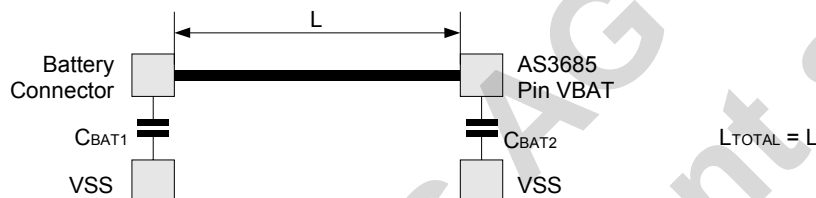
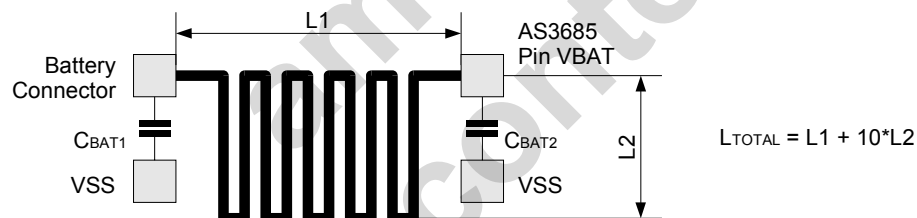


Figure 26 – PCB Wire Inductance Example2



8.3 External Component Specifications

Table 10 – External Components List

Part	Value		Tol (Min)	Rating (Max)	Notes	Package (min)
	Min	Typ				
CBAT ¹		2.2 μ F		+/-20%	6.3V Ceramic, X5R e.g. Murata GRM21BR71A225KA01L	0603
CFLY1, CFLY2		1.0 μ F		+/-20%	6.3V Ceramic, X5R e.g. Murata GRM188R60J105K	0603 (0402, 0405)
CVCP		2.2 μ F		+/-20%	6.3V Ceramic, X5R e.g. Murata GRM21BR71A225KA01L	0603
RISSET	10k Ω		130k Ω	+/-1%		Current Set Resistor 0201
RTXMASK	See section 'TXMask function'			+/-1%		TXMask Set Resistor 0201
DLED	Flash Led					

Notes:

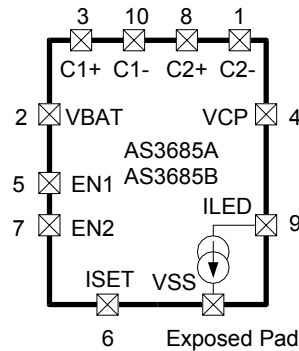
1. See section 'Usage of PCB Wire Inductance'

9 Pinout and Packaging

9.1 DFN10 3x3mm

9.1.1 Pin Assignments DFN10 3x3mm

Figure 27 – Pin Assignments DFN10 3x3mm



9.1.2 Pin Descriptions DFN10 3x3mm

Table 11 – Pin Type Descriptions DFN10 3x3mm

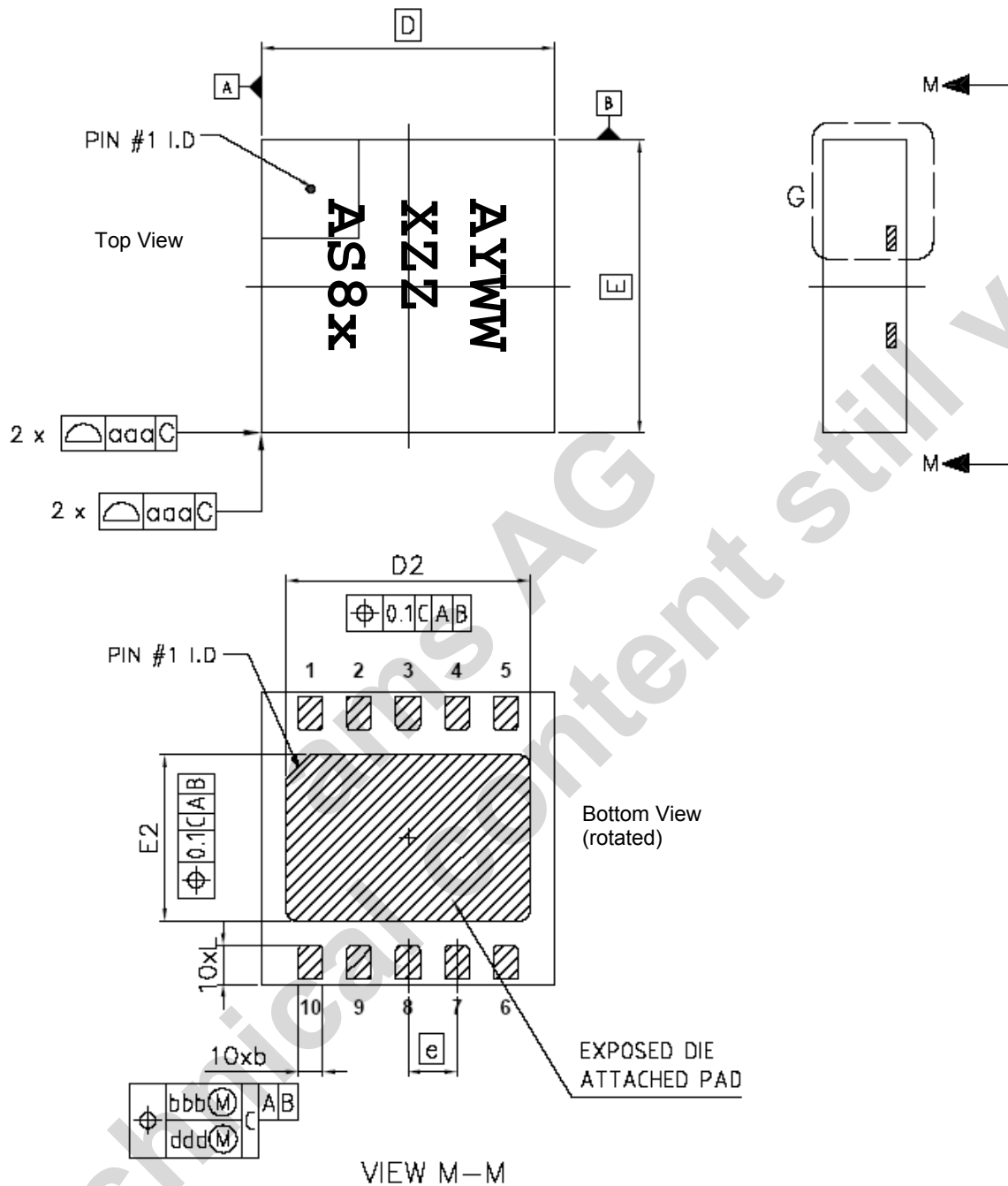
Pin Type	Description
AI/O	Analog Pin
DI	Digital Input
S	Supply Pin

Table 12 – Pin Descriptions DFN10 3x3mm

Pin Number	Pin Name	Type	Description
1	C2-	AI/O	Flying Capacitor 2 connection – connect 1 μ F ceramic capacitor CFLY2 between C2- and C2+
2	VBAT	S	Battery Supply Voltage
3	C1+	AI/O	Flying Capacitor 1 connection – connect 1 μ F ceramic capacitor CFLY1 between C1- and C1+
4	VCP	AI/O	Charge Pump Output voltage – connect flash LED anode to this pin and add CVCP capacitor with 2.2 μ F to VSS
5	EN1	DI	Digital Control Signal EN1
6	ISET	AI/O	Current Generator input pin – connect current set resistor R _{ISET} between this pin and VSS (and optional RTXMASK)
7	EN2	DI	Digital Control Signal EN2
8	C2+	AI/O	Flying Capacitor 2 connection – connect 1 μ F ceramic capacitor CFLY2 between C2- and C2+
9	ILED	AI/O	Current Source input pin – connect flash LED cathode to this pin
10	C1-	AI/O	Flying capacitor 1 connection – connect 1 μ F ceramic capacitor CFLY1 between C1- and C1+
Exposed Pad	VSS	S	Ground Connection – a proper thermal connection with several vias to the ground plane is recommended

9.1.3 Package Drawings and Marking DFN10 3x3

Figure 28 – DFN10 – 3x3mm Package Drawing

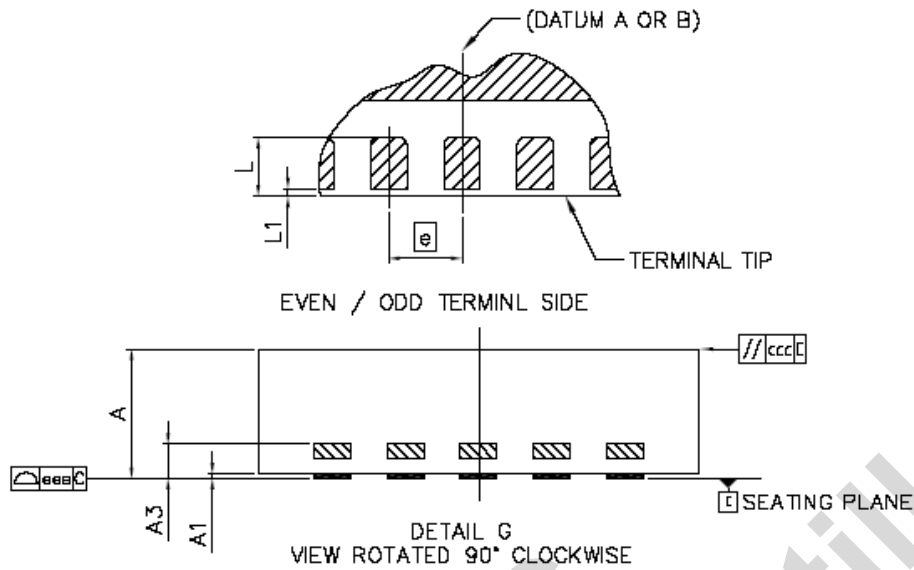


Marking:

- Line 1: AYWW
 A = Pb-Free Identifier
 Y = Year
 WW = Week
- Line 2: XZZ
 X = Plant Identifier
 ZZ = Letters of Free Choice
- Line 3: AS8A for AS3685A or AS8B for AS3685B

Datasheet

Figure 29 – DFN10 – 3x3mm Detail Dimensions

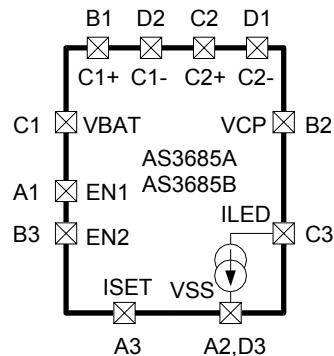


DIM	MIN	NOM	MAX	NOTES
A	0.80	0.85	0.90	1.0 DIMENSIONING & TOLERANCEING CONFIRM TO ASME Y14.5M-1994.
A1	0.00		0.05	
A3		0.203 REF		2.0 ALL DIMENSIONS ARE IN MILLIMETERS. ANGLES ARE IN DEGREES.
b	0.20	0.25	0.30	
D		3.00 BSC		3.0 DIMENSION b APPLIES TO METALLIZED TERMINAL AND IS MEASURED BETWEEN 0.25mm AND 0.30mm FROM TERMINAL TIP. DIMENSION L1 REPRESENTS TERMINAL FULL BACK FROM PACKAGE EDGE UP TO 0.1mm IS ACCEPTABLE.
E		3.00 BSC		
D2	2.40	2.50	2.60	4.0 COPLANARITY APPLIES TO THE EXPOSED HEAT SLUG AS WELL AS THE TERMINAL.
E2	1.60	1.70	1.80	
e		0.50 BSC		5.0 RADIUS ON TERMINAL IS OPTIONAL.
L	0.35	0.40	0.45	
L1			0.10	
aaa		0.10		
bbb		0.10		
ccc		0.10		
ddd		0.05		
eee		0.08		

9.2 WL-CSP 2x1.5mm (Wafer Level Chip Scale Package)

9.2.1 Pin Assignments WL-CSP 2x1.5mm

Figure 30 – WL-CSP 2x1.5mm Pin Assignments



9.2.2 Pin Descriptions WL-CSP 2x1.5mm

Table 13 – Pin Type Descriptions WL-CSP 2x1.5mm

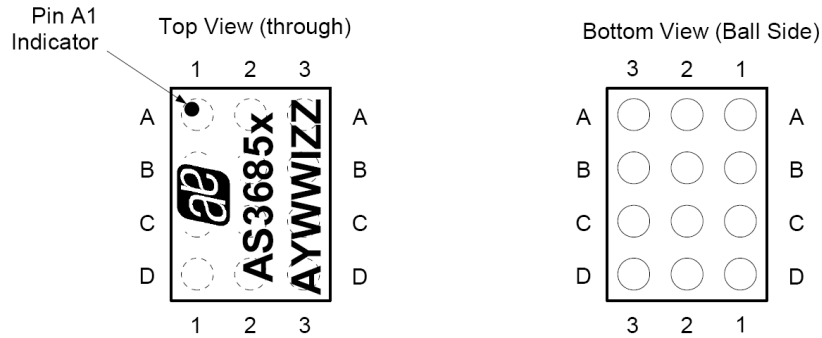
Pin Type	Description
AI/O	Analog Pin
DI	Digital Input
S	Supply Pin

Table 14 – Pin Descriptions WL-CSP 2x1.5mm

Pin Number	Pin Name	Type	Description
A1	EN1	DI	Digital Control Signal EN1
A2	VSS	S	Ground Connection – a proper thermal connection to the ground plane is recommended
A3	ISET	AI/O	Current Generator input pin – connect current set resistor R _{ISET} between this pin and VSS (and optional RTXMASK)
B1	C1+	AI/O	Flying Capacitor 1 connection – connect 1μF ceramic capacitor C _{FLY1} between C1- and C1+
B2	VCP	AI/O	Charge Pump Output voltage – connect flash LED anode to this pin and add C _{VCP} capacitor with 2.2μF to VSS
B3	EN2	DI	Digital Control Signal EN2
C1	VBAT	S	Battery Supply Voltage
C2	C2+	AI/O	Flying Capacitor 2 connection – connect 1μF ceramic capacitor C _{FLY2} between C2- and C2+
C3	ILED	AI/O	Current Source input pin – connect flash LED cathode to this pin
D1	C2-	AI/O	Flying Capacitor 2 connection – connect 1μF ceramic capacitor C _{FLY2} between C2- and C2+
D2	C1-	AI/O	Flying capacitor 1 connection – connect 1μF ceramic capacitor C _{FLY1} between C1- and C1+
D3	VSS	S	Ground Connection – a proper thermal connection to the ground plane is recommended

9.2.3 Package Drawings and Marking WL-CSP 2x1.5mm

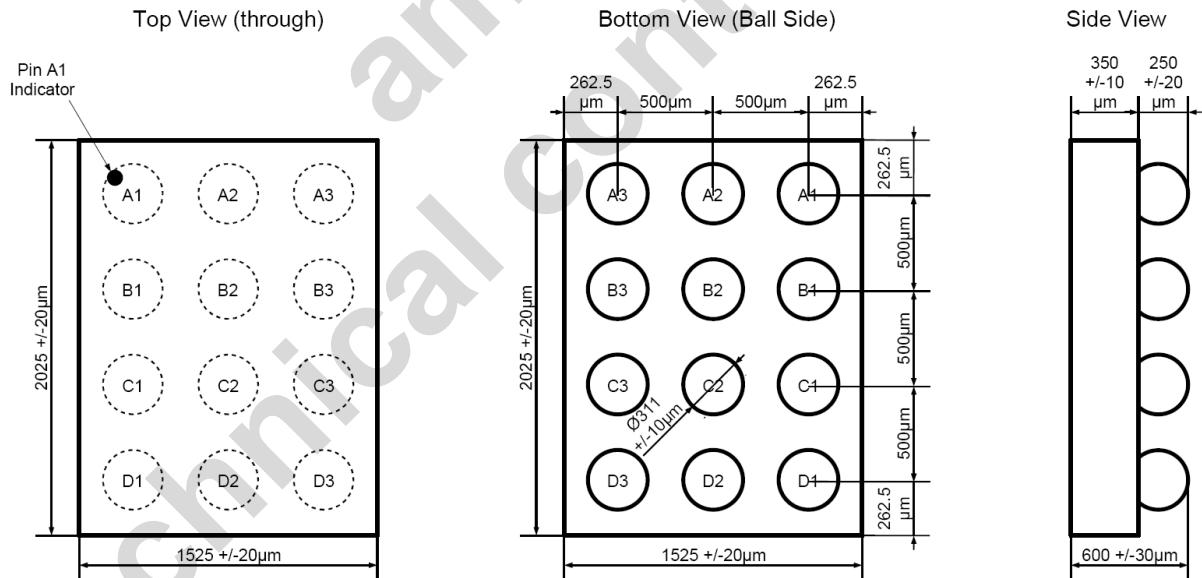
Figure 31 – WL-CSP 2x1.5mm Package Drawing



Marking:

- Line 1: austriamicrosystems logo
- Line 2: AS3685x
 x = A for AS3685A, B for AS3685B,
 A2 for AS3685A with 1:2 mode, B2 for AS3685A with 1:2 mode
- Line 3: AYWWIZZ
 A = Pb-Free Identifier
 Y = Year
 WW = Week
 I = Plant Identifier
 ZZ = Letters of Free Choice

Figure 32 – WL-CSP 2x1.5mm Detail Dimensions



10 Ordering Information

Table 15 – Delivery Information

Part Number	Marking	Package Type	Delivery Form	Description
AS3685A-ZWLT-2N80	AS3685A	WL-CSP 2x1.5mm	Tape&Reel	AS3685A Interface Wafer Level Chip Scale Package, Size 2x1.5mm, 4x3 balls, 0.5mm pitch, RoHS compliant / Pb-free, 800ms flash timeout, 1:2 mode locked
AS3685A-ZWLT-2Y80	AS3685A2	WL-CSP 2x1.5mm	Tape&Reel	AS3685A Interface Wafer Level Chip Scale Package, Size 2x1.5mm, 4x3 balls, 0.5mm pitch, RoHS compliant / Pb-free, 800ms flash timeout, 1:2 mode enabled ¹
AS3685A-ZDFT-2Y80	AS8A	DFN 10 3x3mm	Tape&Reel	AS3685A Interface DFN Package, 3x3mm, 10 pins, 0.4mm pitch, RoHS compliant / Pb-free, 800ms flash timeout, 1:2 mode enabled ¹
AS3685B-ZDFT-2Y80	AS8B	DFN 10 3x3mm	Tape&Reel	AS3685B Interface DFN Package, 3x3mm, 10 pins, 0.4mm pitch, Pb-Free, 800ms flash timeout, 1:2 mode enabled

Description:

AS3685V-ZPPT-2X80

AS3685

V	...	AS3685 Interface Version: A = AS3685A: Direct control to select three different currents B = AS3685B: Single or Two pin interface with strobe; 17 different current settings
-		
Z	...	Temperature range: Z = -30°C – 85°C
PP	...	Package: WL = Wafer Level Chip Scale Package DF = DFN10
T	...	Delivery Form: T = Tape&Reel
-		
2X	...	Charge Pump Mode Locking: 2N = 1:2 mode locked (device can only use 1:1 and 1:1.5 mode) 2Y = 1:2 mode available (device can use 1:1, 1:1.5 and 1:2 mode)
80	...	Flash Timeout time programming 80 = 800ms flash timeout time

¹ If 1000mA flash LED current is used it is usually required to allow 1:2 mode (due to the high forward voltage of the LED).

Copyright

Copyright © 1997-2010, austriamicrosystems AG, Tobelbaderstrasse 30, 8141 Unterpremstaetten, Austria-Europe. Trademarks Registered ®. All rights reserved. The material herein may not be reproduced, adapted, merged, translated, stored, or used without the prior written consent of the copyright owner.

All products and companies mentioned are trademarks or registered trademarks of their respective companies.

Disclaimer

Devices sold by austriamicrosystems AG are covered by the warranty and patent indemnification provisions appearing in its Term of Sale. austriamicrosystems AG makes no warranty, express, statutory, implied, or by description regarding the information set forth herein or regarding the freedom of the described devices from patent infringement. austriamicrosystems AG reserves the right to change specifications and prices at any time and without notice. Therefore, prior to designing this product into a system, it is necessary to check with austriamicrosystems AG for current information. This product is intended for use in normal commercial applications. Applications requiring extended temperature range, unusual environmental requirements, or high reliability applications, such as military, medical life-support or life-sustaining equipment are specifically not recommended without additional processing by austriamicrosystems AG for each application. For shipments of less than 100 parts the manufacturing flow might show deviations from the standard production flow, such as test flow or test location.

The information furnished here by austriamicrosystems AG is believed to be correct and accurate. However, austriamicrosystems AG shall not be liable to recipient or any third party for any damages, including but not limited to personal injury, property damage, loss of profits, loss of use, interruption of business or indirect, special, incidental or consequential damages, of any kind, in connection with or arising out of the furnishing, performance or use of the technical data herein. No obligation or liability to recipient or any third party shall arise or flow out of austriamicrosystems AG rendering of technical or other services.



Contact Information

Headquarters
austriamicrosystems AG
Tobelbaderstrasse 30
Schloss Premstätten
A-8141 Austria

Tel: +43 (0) 3136 500 0
Fax: +43 (0) 3136 525 01

For Sales Offices, Distributors and Representatives, please visit:
<http://www.austriamicrosystems.com/contact>

Mouser Electronics

Authorized Distributor

Click to View Pricing, Inventory, Delivery & Lifecycle Information:

[ams:](#)

[AS3685A-ZDFT-2Y80](#)