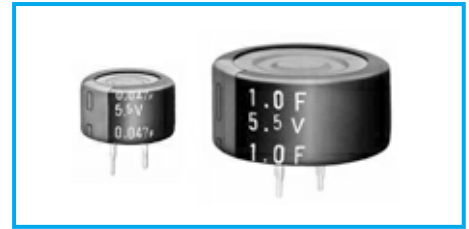
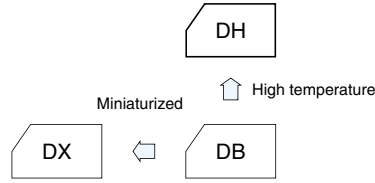


High-Temperature Capacitors Series DH

- High temperature tolerant(-25~+85°C) and highly reliable.
- Ideal for backing up of controls, electronic rice cooking jars, home bakeries and the like.



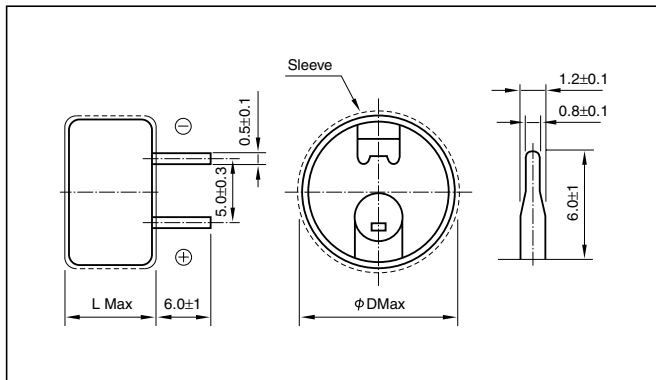
Marking color : White print on an indigo sleeve

Specifications

Item	Performance							
Category temperature range (°C)	-25 to +85							
Tolerance at rated capacitance (%)	-20 to +80							
Internal resistance at 1 kHz	Rated Capacitance (F)	0.047	0.1	0.22	0.47	0.68	1.0	
	Internal resistance (Ω)	300	200	120	50	50	30	
Characteristics at high and low temperature	Percentage of capacitance change	Within ±30% of the value at 20°C						
	Internal resistance	less than five times of the value at 20°C						
Endurance (85°C)	Test time	1000 hours						
	Percentage of capacitance change	Within ±30% of the initial measured value						
	Internal resistance	Within four times of the initial specified value						
Shelf life (85°C)	Test time :1000 hours ; Same as endurance.							

Outline Drawing

Unit: mm



Part numbering system (example: 5.5V0.1μF)

Environmental item	DH	—	5R5	D	104	T
	Series code		Rated voltage symbol		Rated capacitance symbol	
Former item	DH	—	5R5	D	104	
	Series code		Rated voltage symbol		Rated capacitance symbol	

Standard Ratings

Max. operating voltage(V)	Rated capacitance(F)	ELNA Parts No.	ø DxL(mm)
5.5	0.047	DH-5R5D473T	13.5x9.5
5.5	0.1	DH-5R5D104T	13.5x9.5
5.5	0.22	DH-5R5D224T	13.5x9.5
5.5	0.47	DH-5R5D474T	21.5x9.5
5.5	0.68	DH-5R5D684T	21.5x9.5
5.5	1.0	DH-5R5D105T	21.5x9.5

Mouser Electronics

Authorized Distributor

Click to View Pricing, Inventory, Delivery & Lifecycle Information:

[Elna:](#)

[DH-5R5D104](#) [DH-5R5D474](#) [DH-5R5D473T](#)