

Cover for Holder OGD, OGD-SMD



4W/10A



Standards

- IEC 60127-6
- UL 4248-1 / UL 512
- CSA C22.2 no. 39

Approvals

- VDE Certificate Number: 4008993
- UL File Number: E39328

References

Mating cover to OGD; OGD-SMD

Weblinks

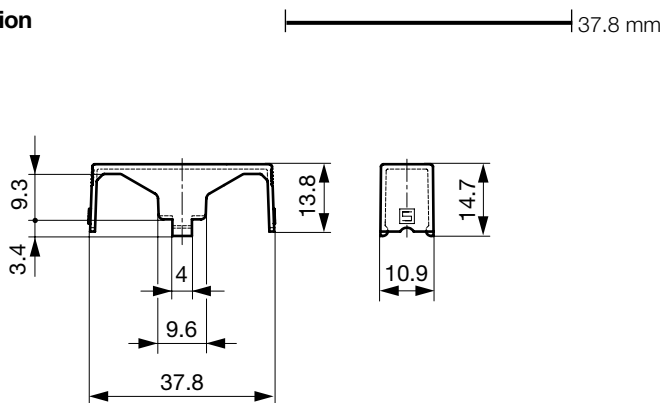
pdf-datasheet, html-datasheet, General Product Information, Approvals, CE declaration of conformity, RoHS, CHINA-RoHS, REACH, e-Shop, SCHURTER-Stock-Check, Distributor-Stock-Check, Detailed request for product

Technical Data

Fuse-Link	6.3 x 32mm
Rated Power Acceptance IEC	4W / 10A @ Ta 23°C
Admissible Ambient Air Temp.	-40°C to 85°C
Material: Cover	Thermoplastic UL 94V-0
Storage Conditions	0°C to 60°C, max. 70% r.h.

Soldering Methods	Reflow, Wave
Solderability	245°C / 3sec acc. to IEC 60068-2-20, Test Td
Resistance to Soldering Heat	260°C / 10sec acc. to IEC 60068-2-20, Test Td

Dimension



All Variants

Description	Order Number
Reflow-Cover	0853.0917

Most Popular.

Availability for all products can be searched real-time:<http://www.schurter.com/en/Stock-Check/Stock-Check-SCHURTER>

Packaging Unit

Bulk (100 pcs.)

Mouser Electronics

Authorized Distributor

Click to View Pricing, Inventory, Delivery & Lifecycle Information:

[Schurter:](#)

[0853.0917](#)