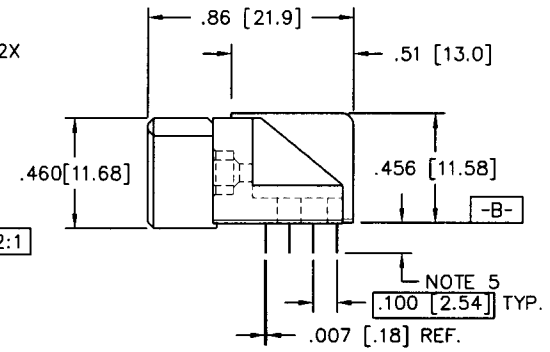
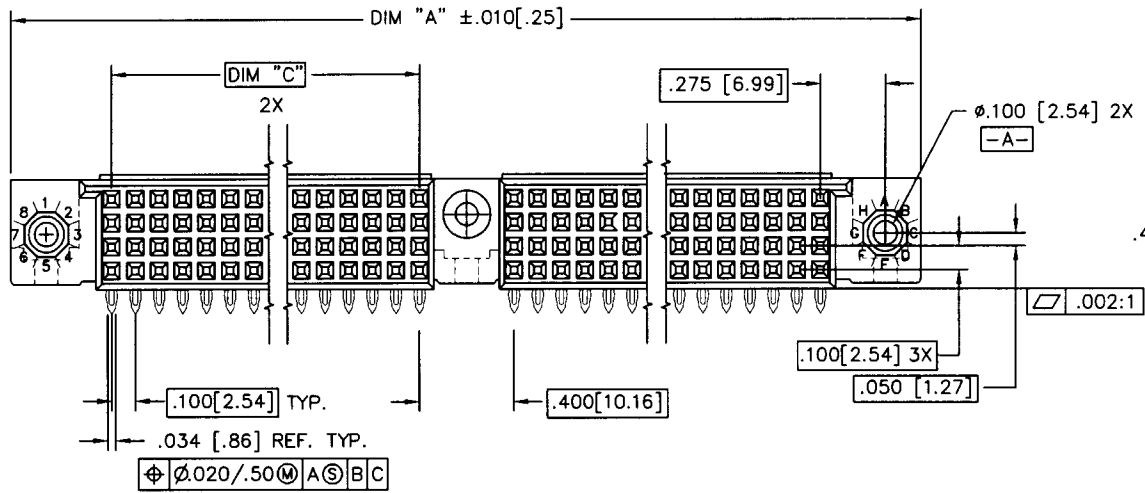
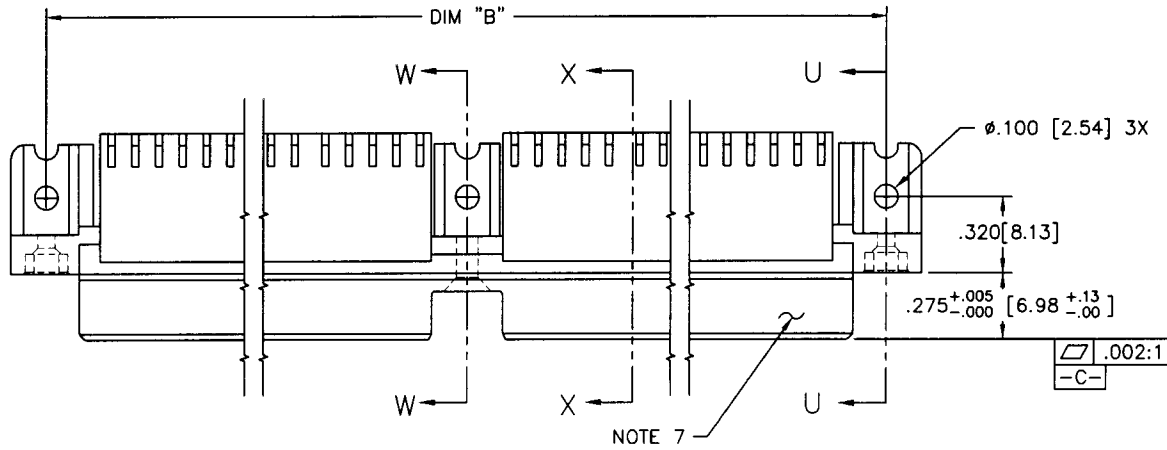


Tous droits strictement réservés. Reproduction ou communication a des tiers interdite sous quelque forme que ce soit sans autorisation écrite du propriétaire. Propriété de c FCI. Droits de reproduction FCI.

All rights strictly reserved. Reproduction or issue to third parties in any form whatever is not permitted without written authority from the proprietor. Property of FCI. Copyright FCI.

PRODUCT NUMBER
SEE NOTE 1

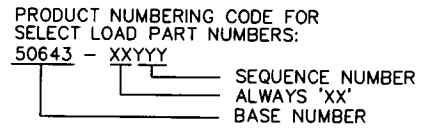
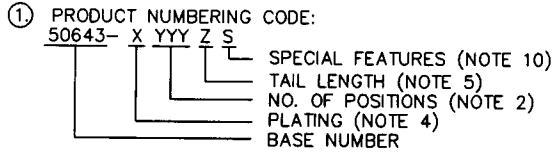


mat'l. code				tolerances unless otherwise specified		CUSTOMER COPY	Electronics	
NOTE 3							FCI	
ltr	ecn no	dr	date	linear	.XX \pm .01/.X \pm .3	projection 	www.fciconnect.com	
H	V40734	GIP	4/12/94	linear	.XXX \pm .005/.XX \pm .13		title	
J	V41510	GAH	10/13/94	angles	.XXXX \pm .0020/.XXX \pm .051		4 ROW R/A RECEPTACLE	
K	V51050	GAH	10/3/95	angles	0° \pm 2°	INCH/MM	PRESS FIT, 1 GUIDE PIN	
L	V60822	GIP	5/29/96	dr	G. PETERS 6/10/93		product family	HPC
M	V90000	HTB	2/15/99	engr	S. CLARK 6/10/93	size	dwg no	213
N	V91490	DLW	7/13/99	chr	S. CLARK 6/10/93	scale	A	50643
P	V00266	JWS	1/28/00	appd	S. CLARK 6/10/93	1:1		sheet
sheet index	revision sheet	P	P					1 of 2
		1	2					

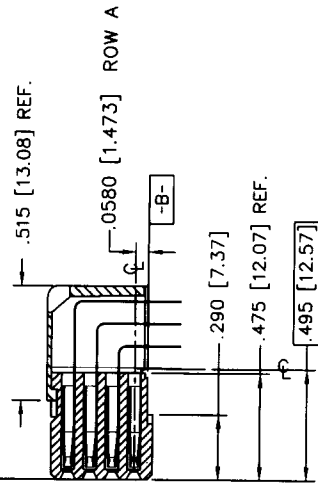
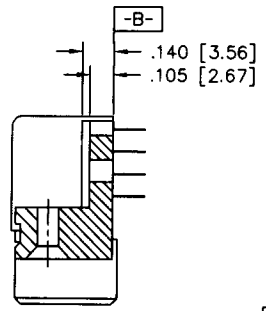
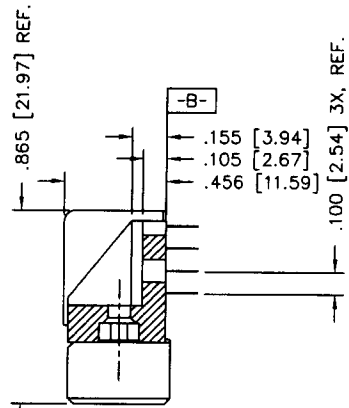
cage code
22526

PRODUCT NUMBER	DIM	LENGTH FORMULAS
SEE NOTE 1	DIM "A"	.100[2.54] x NO. of COLUMNS + 1.05[26.7]
	DIM "B"	.100[2.54] x NO. of COLUMNS + .750[19.05]
	DIM "C"	.100[2.54] x NO. of COLUMNS DIVIDED BY 2 - .100[2.54]

NOTES:



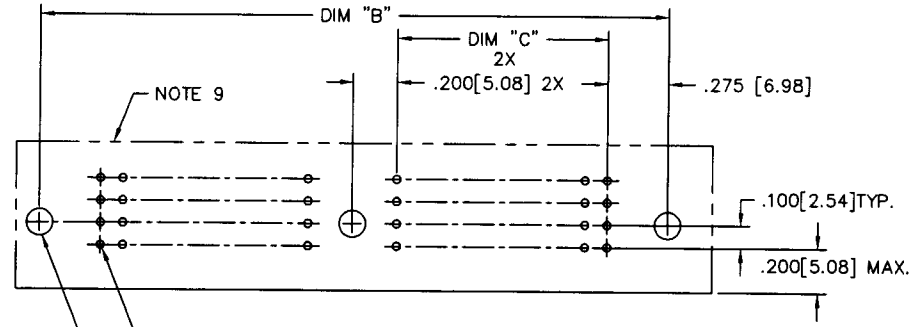
- ② THIS PRODUCT IS CONFIGURED IN SIZES OF 20 thru 140 COLUMNS IN INCREMENTS OF TWO. i.e.: 20,22,24,.....136,138,140.
- ③ PRESS BLOCK MATERIAL: LCP. HOUSING MATERIAL: GLASS AND MINERAL FILLED HIGH TEMP. THERMOPLASTIC. FLAME RETARDANT PER UL94V-0. COLOR: BLACK. CONTACT MATERIAL: BeCu.
- ④ PLATING, CONTACT AREA OPTIONS. 1=30u"/.76u" GOLD ALL TAILS TIN/LEAD.
- ⑤ TAIL LENGTH OPTIONS:
 E = .125±.010 [3.18±.25]
 F = .145±.010 [3.68±.25]
- ⑥ DRILLED HOLE DIA. OF .0453±.001 FINISHED TO .04000±.0030 BY PLATING SnPb(60/40), .0003 - .0006 w/Cu UNDERPLATING AS NEEDED.
- ⑦ MANUFACTURE'S LOGO, P/N, AND LOT CODE TO APPEAR ON THIS SURFACE.
- 8. FOR DOCUMENTATION MENU, SEE SPEC. BUS-01-057.
- ⑨ FOR PCB STAY AWAY ZONE SEE TA-0954.
- ⑩ SPECIAL FEATURES:
 - = IF CODE IS OMITTED FROM PRODUCT NO. CONNECTOR IS PROVIDED AS SHOWN; NO SPECIAL FEATURES ARE SELECTED.
 "A" = IF SPECIFIED SEE DWG. 51009; FOR Ø.100 BOARD MOUNTING HOLE.(AVAILABLE IN "E" TAIL LGTH. ONLY)
 "B" = IF SPECIFIED, SEE DWG. 51010; PRE-INSTALLED EYELET FOR P.C.B. ATTACHMENT IN A Ø.100 MOUNTING HOLE. (AVAILABLE IN "E" TAIL LGTH. ONLY).
 "C" = IF SPECIFIED, SEE DWG 51010; PRE-INSTALLED EYELET FOR P.C.B. ATTACHMENT IN A Ø.120 MOUNTING HOLE.
 "D" = IF SPECIFIED, SEE DWG 51022; MOLDED GUIDE PINS w/EYELET IN A Ø.120 MOUNTING HOLE.



SECTION U-U

SECTION W-W

SECTION X-X



RECOMMENDED PCB LAYOUT (ALL HOLES LOCATED ON .100[2.54] GRID UNLESS OTHERWISE SHOWN)

mat'l. code		tolerances unless otherwise specified		CUSTOMER COPY	 www.fciconnect.com
ltr	ecn no	dr	date	linear	
P				.XX±.01/.X±.3	projection
				.XXX±.005/.XX±.13	INCH/MM
				.XXX±.0020/.XXX±.051	scale
				angles 0° ±2°	1:1
		dr	G. PETERS 6/11/93	product family HPC	
		enr	S. CLARK 6/11/93	size dwg no	
		chr	S. CLARK 6/11/93	A 50643	
		appd	S. CLARK 6/11/93	code 213	
sheet index	revision sheet			sheet 2 of	

cage code 22526

Tous droits strictement reserves. Reproduction ou communication a des tiers interdite sous quelque forme que ce soit sans autorisation écrite du propriétaire. Propriete de c FCI. Droits de reproduction FCI.

All rights strictly reserved. Reproduction or issue to third parties in any form whatever is not permitted without written authority from the proprietor. Property of FCI. Copyright FCI.

