

Resistance Weld Thru-Hole Crystal



Model: HC49ULF

RoHS Compliant / Pb Free

Rev. 4/23/2014

Page 1 of 2

http://www.foxonline.com/need_a_sample.htm

Need a
Sample®

FEATURES

- Low Cost
- Stocking Standard (see page 2)
- High Frequency Range
- Fundamental to 40 MHz
- Resistance Weld

OPTIONS

- Tolerances to 5 PPM
- Stabilities to 3 PPM
- Temperatures to -40°C ~ +105°C
- Mylar Spacer
- Vinyl Sleeve
- Third Lead

• PART NUMBER

Part Number	Model Number	Frequency Range (MHz)
281LF-Frequency-xxxxx	HC49ULF	1.8432 ~ 180.000

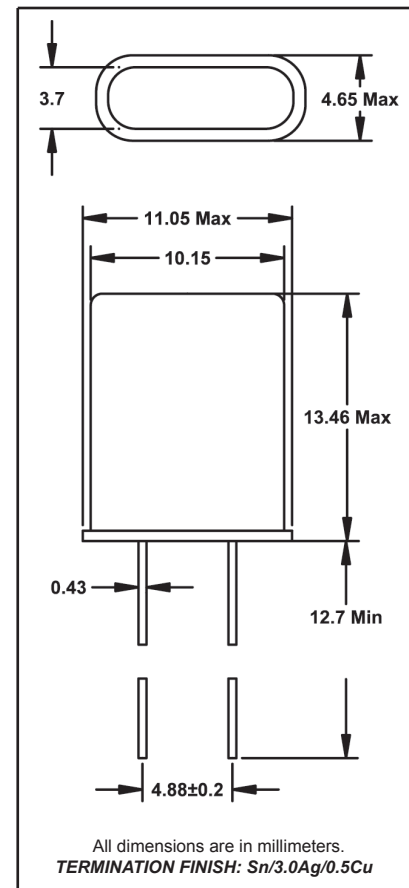
• STANDARD SPECIFICATIONS¹

PARAMETERS	MAX (unless otherwise noted)
Frequency Range	1.8432 ~ 180.000 MHz
Frequency Tolerance @ 25°C	±30 PPM
Frequency Stability, ref @ 25°C Over Operating Temp Range	±50 PPM
Temperature Range	
Operating (TOPR)	-20°C ~ +70°C
Storage (TSTG)	-40°C ~ +85°C
Shunt Capacitance (Co)	7.0 pF
Load Capacitance (CL)	10 pF ~ Series (Customer Specified)
Drive Level	
1.8432 ~ 3.000 MHz	2.0 mW
3.000+ ~ 180.000 MHz	1.0 mW
Aging per year	±5 PPM

¹ Other tolerances, stabilities & operating temperature ranges available. Consult Fox Customer Service for specific requirements.

All specifications subject to change without notice.

Frequency Range (MHz)	Operating Mode	Max ESR Ω
1.8432 ~ 2.000	Fundamental	750
2.000+ ~ 2.400	Fundamental	500
2.400+ ~ 3.000	Fundamental	300
3.000+ ~ 3.200	Fundamental	200
3.200+ ~ 3.700	Fundamental	120
3.700+ ~ 4.200	Fundamental	100
4.200+ ~ 4.900	Fundamental	70
4.900+ ~ 5.000	Fundamental	55
5.000+ ~ 6.000	Fundamental	50
6.000+ ~ 8.000	Fundamental	40
8.000+ ~ 10.000	Fundamental	35
10.000+ ~ 12.500	Fundamental	30
12.500+ ~ 16.000	Fundamental	25
16.000+ ~ 40.000	Fundamental	20
23.000+ ~ 75.000	3rd OT	40
60.000 ~ 110.000	5th OT	80
110.000 ~ 180.000	7th OT	120



Resistance Weld Thru-Hole Crystal



Model: HC49ULF

RoHS Compliant / Pb Free

Rev. 4/23/2014

Page 2 of 2

http://www.foxonline.com/need_a_sample.htm



All specifications subject to change without notice.

• HC49ULF Standard Crystals					
Part Number	Frequency	Tolerance	Stability	Temp Range	CL
FOXLF018S	1.843200	± 30 ppm	± 50 ppm	-20 to +70 C	13pF
FOXLF024S	2.457600	± 30 ppm	± 50 ppm	-20 to +70 C	32pF
FOXLF036S	3.579545	± 30 ppm	± 50 ppm	-20 to +70 C	18pF
FOXLF0368S	3.686400	± 30 ppm	± 50 ppm	-20 to +70 C	Series
FOXLF0368-20	3.686400	± 30 ppm	± 50 ppm	-20 to +70 C	20pF
FOXLF040A	4.000000	± 30 ppm	± 50 ppm	-20 to +70 C	Series
FOXLF040	4.000000	± 30 ppm	± 50 ppm	-20 to +70 C	20pF
FOXLF080-20	8.000000	± 30 ppm	± 50 ppm	-20 to +70 C	20pF
FOXLF100-20	10.000000	± 30 ppm	± 50 ppm	-20 to +70 C	20pF
FOXLF115	11.059200	± 30 ppm	± 50 ppm	-20 to +70 C	Series
FOXLF115-20	11.059200	± 30 ppm	± 50 ppm	-20 to +70 C	20pF
FOXLF120	12.000000	± 30 ppm	± 50 ppm	-20 to +70 C	Series
FOXLF120-20	12.000000	± 30 ppm	± 50 ppm	-20 to +70 C	20pF
FOXLF160	16.000000	± 30 ppm	± 50 ppm	-20 to +70 C	Series
FOXLF160-20	16.000000	± 30 ppm	± 50 ppm	-20 to +70 C	20pF
FOXLF200-20	20.000000	± 30 ppm	± 50 ppm	-20 to +70 C	20pF
FOXLF250F-20	25.000000	± 30 ppm	± 50 ppm	-20 to +70 C	20pF

Mouser Electronics

Authorized Distributor

Click to View Pricing, Inventory, Delivery & Lifecycle Information:

Fox:

[S 55918-1](#) [FOXLF0368S](#) [FOXLF060-20](#) [FOXLF060](#) [FOXLF061-20](#) [FOXLF061](#) [FOXLF111](#) [FOXLF115](#) [FOXLF120](#)
[FOXLF128-20](#) [FOXLF160](#) [FOXLF196-20](#) [FOXLF196](#) [FOXLF500-20](#) [FOXLF021S](#) [FOXLF040A](#) [FOXLF040](#)
[FOXLF080](#) [FOXLF080-20](#) [FOXLF081](#) [FOXLF092](#) [FOXLF098-20](#) [FOXLF098](#) [FOXLF184](#) [FOXLF200](#) [FOXLF221-20](#)
[FOXLF221](#) [FOXLF240F](#) [FOXLF245F-20](#) [FOXLF480-20](#) [FOXLF041](#) [FOXLF0443](#) [FOXLF049-20](#) [FOXLF049](#)
[FOXLF05A](#) [FOXLF073](#) [FOXLF081-20](#) [FOXLF128](#) [FOXLF143](#) [FOXLF184-20](#) [FOXLF092-20](#) [HC49ULF-11.0592MHz](#)