



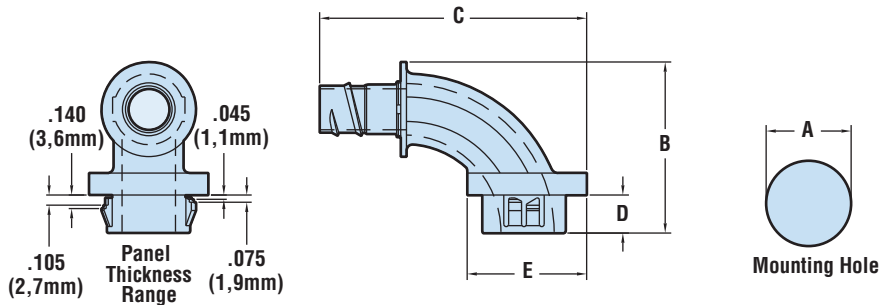
# Heyco-Flex™ Quick Twist Conduit Fittings

For use with Heyco-Flex™ II Tubing  
**90° Sweep, Snap-In Hubs**

- One-piece solution with smooth internal surfaces provides for easier wire routing, protection, and installation around corner angles.
- Easy, permanent assembly: the installer twists the tubing over the connector ferrule.
- Snap-in Fittings are UL recognized for use with Heyco-Flex II tubing. See page 2-3.
- Unique locking fingers accommodate various panel thicknesses.
- All nylon construction is resistant to salt water, weak acids, gasoline, alcohol, oil, grease, and common solvents. (This feature is not assessed by UL certification and testing.)
- Suitable for a wide array of electrical applications:
  - Commercial and Industrial HVAC Systems
  - Motorized Equipment
  - Enclosed Power Sources
  - Garage Door Openers
  - Major Appliances
- Finishing collars available to neaten rough cut tubing ends. See page 2-11.
- **New! Assembly Tool available for assembling Quick Twist Fittings into HF1 and HF2 Conduit and Tubing. See page 2-12.**

FITS TUBING TRADE SIZE	PART NO.		DESCRIPTION	PART DIMENSIONS									
	Black	Gray		A		B		C		D		E	
				Mounting Hole Dia.	Max O.A. Height	Max O.A. Length	Body Length	Flange Dia.					
3/8	8500	8501	HFC 3/8-S-90-twist	.875	22,2	1.754	44,6	2.749	69,8	.390	9,9	1.230	31,2
1/2	8505	8506	HFC 1/2-S-90-twist										
3/4	8510	8511	HFC 3/4-S-90-twist	1.093	27,8	1.965	50,0	3.081	78,3	.390	9,9	1.500	38,1

Standard colors black and gray. Consult Heyco for other colors.



Quick Specs

Material	Nylon 6/6
Certifications	Recognized under the Component Program of Underwriters' Laboratories File E121095
Flammability Rating	94V-2
Material Temperature Index	Maximum temperature on part not to exceed 221°F (105°C)

# Mouser Electronics

Authorized Distributor

Click to View Pricing, Inventory, Delivery & Lifecycle Information:

[Heyco:](#)

[2243](#) [2244](#) [2245](#) [2253](#) [2254](#) [2255](#) [2268](#) [2269](#)