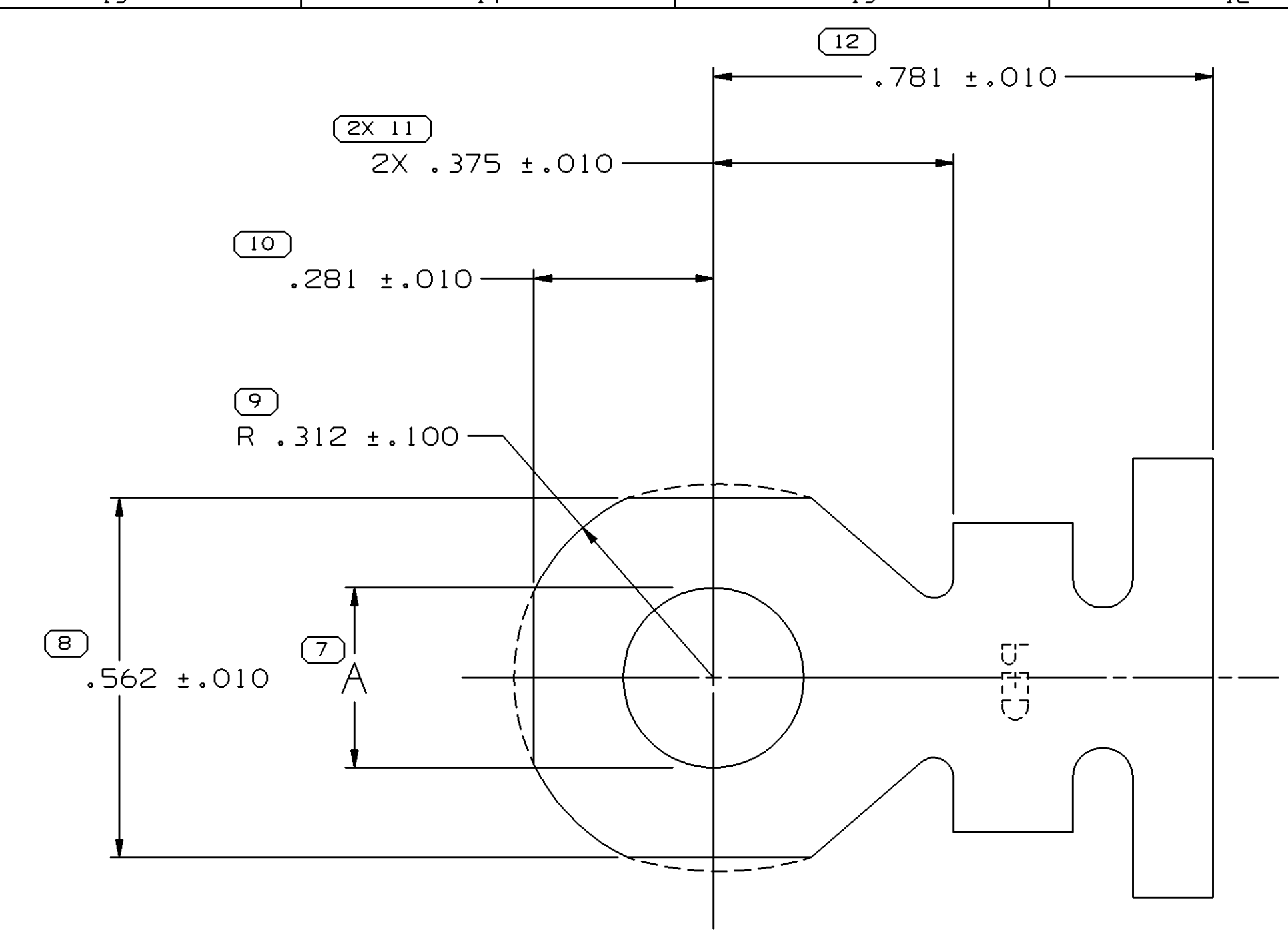
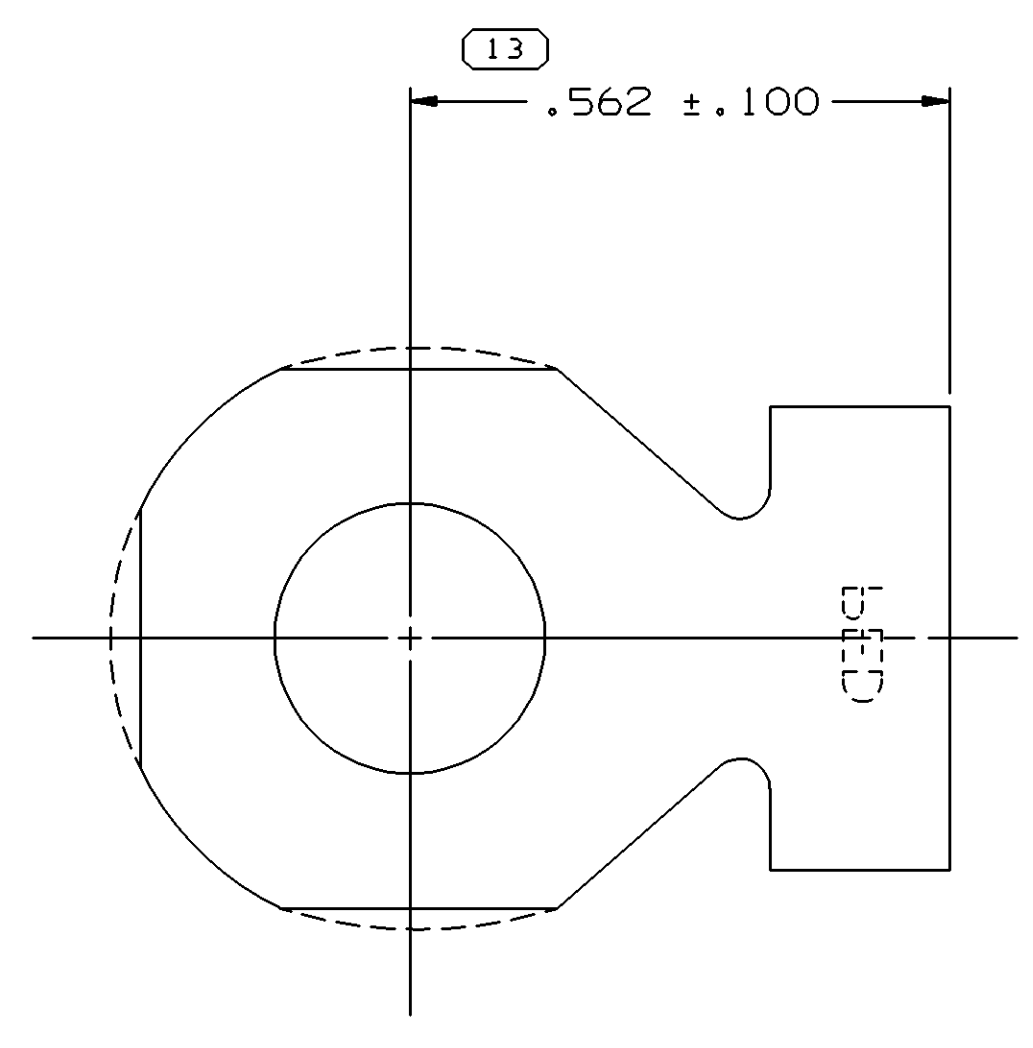


SYMBOL DEFINITION		MISSING SYMBOLS	
A DIMENSION WITHOUT AN INSPECTION REPORT SYMBOL DOES NOT REQUIRE INSPECTION. IT MAY BE CONTROLLED ON THE INDIVIDUAL COMPONENT DRAWING.	TOTAL NO OF INSPECTIONS REQUIRED	NO MISSING SYMBOL NUMBER	
	18		
	LAST NO. USED		
	17		

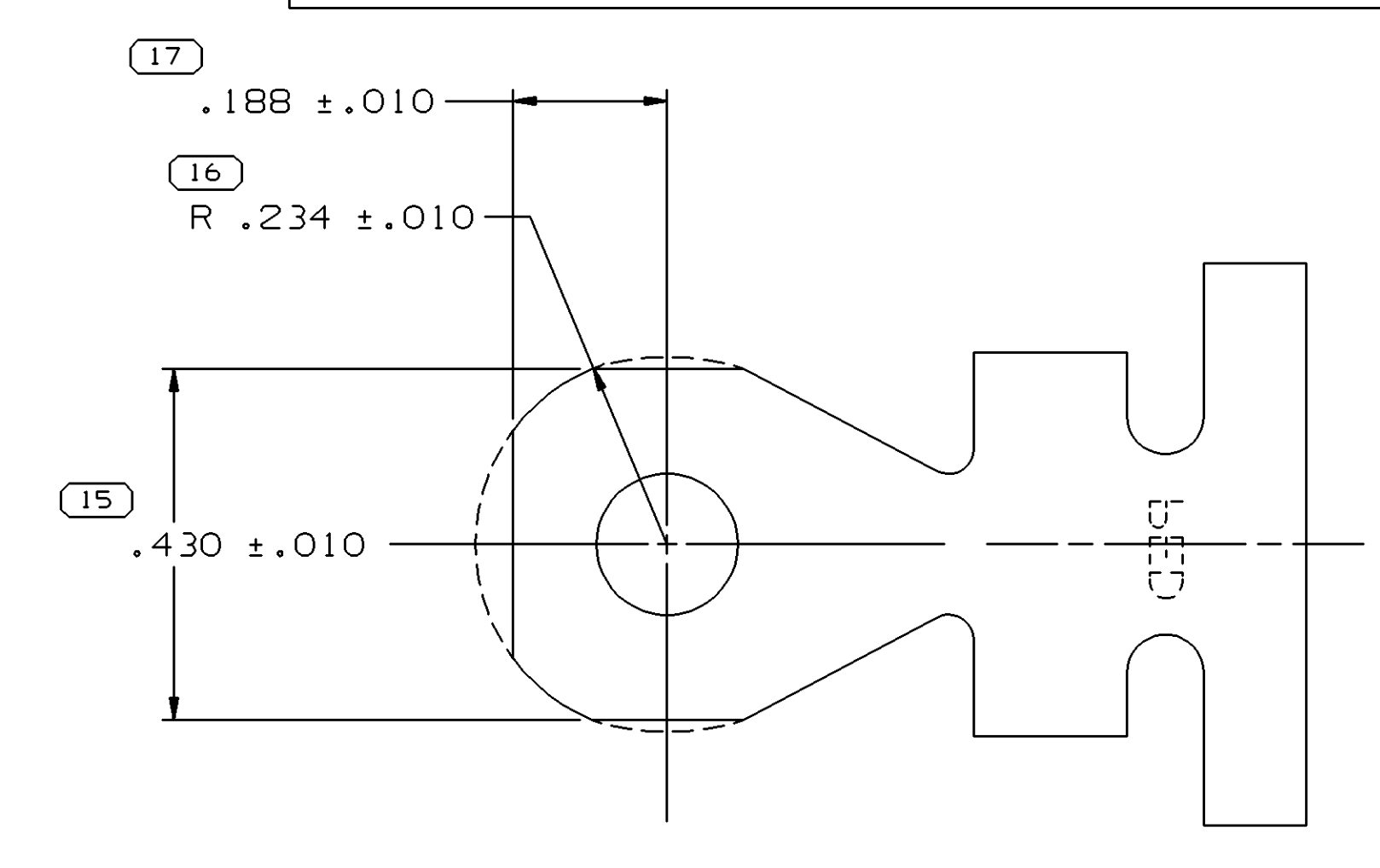
DWO STATUS				REVISION HISTORY				AUTH		DR		APVD	
DATE	STG	REV	N/P	CHG	ZONE	ALL PARTS - WERE SEPARATE DWGS				252417	JTV	FKV	EH
04MR04	R	01	-	-	-								



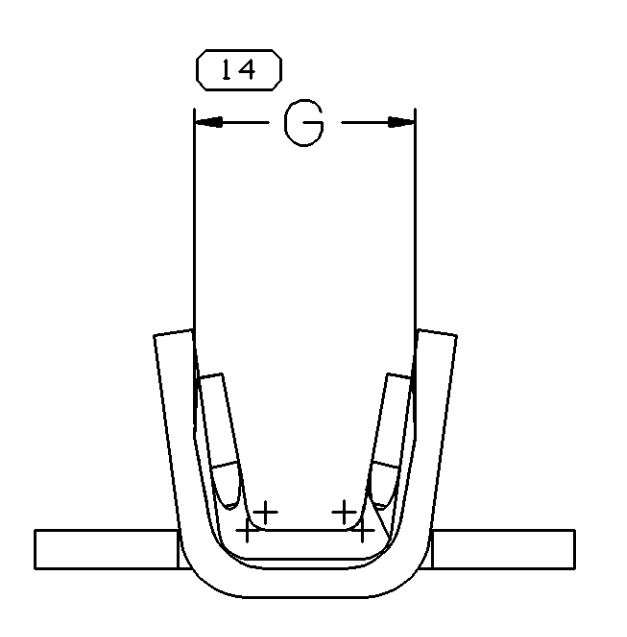
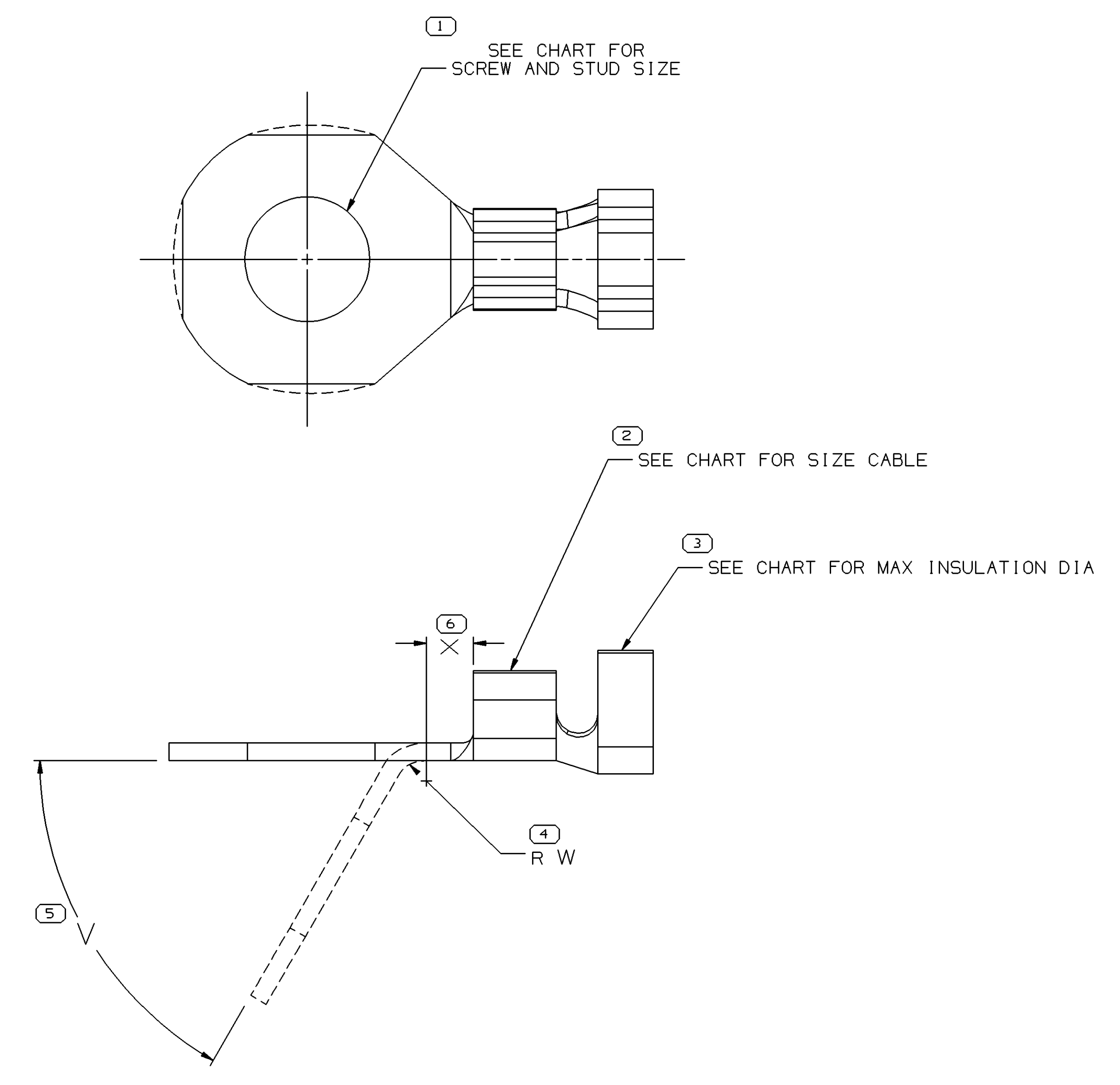
TYPE 401
BLANK VIEW (APPROX)



TYPE 402
BLANK VIEW (APPROX)
SAME AS TYPE 401
EXCEPT AS SHOWN



TYPE 403
BLANK VIEW (APPROX)
SAME AS TYPE 401
EXCEPT AS SHOWN



NOTES
1. UNLESS OTHERWISE SPECIFIED AND/OR INDICATED: DIMENSIONS ARE TO FACE OF VIEW SHOWN AND AUTOMATICALLY ROUNDED BY COMPUTER FOR INSPECTION. (SEE MATH MODEL FOR PRECISE DIMENSIONS.) FOR ALL OTHER DIMENSIONS NOT SHOWN BUT REQUIRED FOR TOOL BUILD, SEE MATH MODEL FOR PRECISE TOOL PATH DATA.

PART NO	REV	N/P	STATUS	MAT'L SIZE	MAT'L SPEC	PART NO	REV	N/P	STATUS	MAT'L SPEC	SIZE (MM ²)	DIA (MM)	ID	TYPE	A ±.003	G ±.015	V ±5°	W ±0.03	X ±0.03
12048459	CA	-		.0403 X 1.062	M3614155						5.0 - 3.0	4.48 - 3.49	11	401	.204 ±.003	.230	-	-	-
12048426	BA	-			12048459						5.0 - 3.0	4.48 - 3.49	11	401	(.204)	-	60°	.106	.067
12010299	CA	-		.0320 X 1.062	M3614129						2.0 - 1.0	3.05 - 2.48	15	401	.345 ±.003	.150	-	-	-
08917970	FA	-		.0320 X .969	M3614126						2.0 - 1.0	3.34 - 2.84	15	403	.173 ±.003	.150	-	-	-
08917959	FA	-		.0320 X .969	M3614126	12015038	C	-	OBSOLETE	M3649126	(TWO) 2.0 - 1.0	3.34 - 2.84	215	403	.173 ±.003	.225	-	-	-
06288749	CK	-	OBSOLETE	.0320 X 1.062	M3614129						2.0 - 1.0	3.05 - 2.48	15	401	.282 ±.003	.150	-	-	-
06288591	BH	-	OBSOLETE	.0403 X 1.062	M1403155						5.0 - 3.0	4.48 - 3.49	11	401	.204 ±.003	.230	-	-	-
02989600	CK	-	OBSOLETE	.0320 X .844	M3614123	02989601	CK	-	OBSOLETE	M3649123	5.0 - 3.0	-	11	402	.204 ±.003	.315	-	-	-
02989521	CM	-	OBSOLETE	.0320 X 1.062	M3614129	02989522	CM	-	OBSOLETE	M3649129	0.5 - 0.8	2.40 - 2.03	19	401	.345 ±.003	.145	-	-	-
02984145	BK	-	OBSOLETE	.0320 X .844	M3614123	02965711	BK	-	OBSOLETE	M3649123	5.0 - 3.0	-	11	402	.345 ±.003	.315	-	-	-
02984144	BK	-	OBSOLETE	.0320 X .844	M3614123	02965645	BK	-	OBSOLETE	M3649123	5.0 - 3.0	-	11	402	.282 ±.003	.315	-	-	-
02977489	BL	-	OBSOLETE	.0403 X 1.062	M3614155						5.0 - 3.0	4.48 - 3.49	11	401	.235 ±.003	.230	-	-	-
02965614	BL	-		.0403 X 1.062	M3614155	06288634	BM	-		M3649155	5.0 - 3.0	4.48 - 3.49	11	401	.282 ±.003	.230	-	-	-
PART NO	REV	N/P	STATUS	MAT'L SIZE	MAT'L SPEC	PART NO	REV	N/P	STATUS	MAT'L SPEC	SIZE (MM ²)	DIA (MM)	ID	TYPE	A ±.003	G ±.015	V ±5°	W ±0.03	X ±0.03
				UNPLATED						TIN PLATED					CABLE				

Ø	STANDARD	METRIC	SCREW/STUD SIZE
.345	5/16	MB	
.282	1/4	M6.3	
.235	#12		
.204	#10	M5	
.173	#8	M4	
Ø A ±.003	STANDARD METRIC		
	SCREW/STUD SIZE		

DWO TYPE: PART DRAWING

STYLE: 6900

VOLUME (CM³):

ROUTING: 6900

UNLESS OTHERWISE SPECIFIED THIS DOCUMENT IS IN ACCORDANCE WITH ASME Y14.5M-1994 AS AMENDED BY THE 2003 ADDENDUM. DIMENSIONS AND TOLERANCES ARE ESTABLISHED BY THE DIMENSIONING AND TOLERANCE PRACTICES OF THIS DRAWING UNLESS OTHERWISE SPECIFIED.

ALL DIMENSIONS ARE IN INCHES

THIRD ANGLE PROJECTION

DO NOT SCALE

USE MATH DATA

REFERENCE:

ANGULAR TOLERANCE: ±.010

DELPHI

DELPHI PACKARD ELECTRIC SYSTEMS
WARREN, OH

DR	DATE
APVD1 JOSE LUIS TAPIA	04MR04
APVD2 FRANCISCO KOPCA	04MR04
APVD3 ERIC HAROLDSON	05MR04
APVD4	
APVD5	

SUBSTANCES OF CONCERN AND RECYCLED CONTENT PER DELPHI 10949001

MATERIAL SEC CHART

DRAWING NAME: TAXI TERM RING STR

DRAWING NUMBER: 02962869

SIZE A0 SCALE 5:1 FRAME NO 1 OF 2 SHEET NO 4 OF 4 REV 01