

CE (Low Voltage Directive)

1 year warranty

Model name **SWT 30-522**

Name of series Output power: 4 models
Nominal output voltage
522: 5V, +12V, -12V
5FF: 5V, +15V, -15V
525: 5V, +12V, -5V

Features

- CE marking (Low Voltage Directive)
- Defact standard size in computer market
30W, 50W: 3 x 5 inch
65W: 3.5 x 6 inch
- Wide input voltage range:
30W, 40W, 100W types: 85 ~ 265VAC universal input
65W type: 100/200VAC auto-selectable
- Compact and low price
- 1 year warranty

PC Board Type Power Supply

Specifications

1. Input voltage range	SWT30, 40, 100: 85 ~ 265VAC (47 ~ 63Hz), 110 ~ 330VDC universal input SWT65 : 85 ~ 132VAC /170 ~ 265VAC (47 ~ 63Hz) auto-selectable
2. Output voltage range	Fixed
3. Cooling	Convection cooling
4. Operating ambient temperature (Standard mounting)	0 ~ +60°C Output derating 0 ~ +50°C : 100%, +60°C : 70%
5. Withstand voltage	Input-output: 3kVAC, Input-FG: 2.5kVAC for 1 min.
6. Safety standard	Approved by UL1950 , CSA950 and EN60950 (BSI).
7. EMI	Conforms to EN55011-B, EN55022-B, FCC class B and VCCI-class B
8. Peak output current	SWT30 CH1: +5V 2A (peak 3A) CH2: +12V 1.5A (peak 3A)/+15V 1A (peak 2.2A) SWT40 CH1: +5V 3A (peak 4.5A) CH2: +12V 2A (peak 3A)/+15A 1.5A (peak 2.4A)
9. Functions	Over voltage protection (CH1), Over current protection

Product lineup

Model name	CH	Nominal output voltage	Min. output current	Max. output current	Max. peak output current	Total max. output power	UL	CSA	EN	
SWT30	SWT30-522	CH1	+5V	0.2A	2A	3A	31.6W (49.6W)	○	○	○
		CH2	+12V	0.4A	1.5A	3A				
		CH3	-12V	0A	0.3A	-				
	SWT30-5FF	CH1	+5V	0.2A	2A	3A	29.5W (47.5W)	○	○	○
		CH2	+15V	0.4A	1A	2.2A				
		CH3	-15V	0A	0.3A	-				
	SWT30-525	CH1	+5V	0.2A	2A	3A	29.5W (47.5W)	○	○	○
		CH2	+12V	0.4A	1.5A	3A				
		CH3	-5V	0A	0.3A	-				
SWT40	SWT40-522	CH1	+5V	0.2A	3A	4.5A	42.6W (54.6W)	○	○	○
		CH2	+12V	0.3A	2A	3A				
		CH3	-12V	0A	0.3A	-				
	SWT40-5FF	CH1	+5V	0.2A	3A	4.5A	42.0W (51.6W)	○	○	○
		CH2	+15V	0.3A	1.5A	2.4A				
		CH3	-15V	0A	0.3A	-				
	SWT40-525	CH1	+5V	0.2A	3A	4.5A	40.5W (51.6W)	○	○	○
		CH2	+12V	0.3A	2A	3A				
		CH3	-5V	0A	0.3A	-				

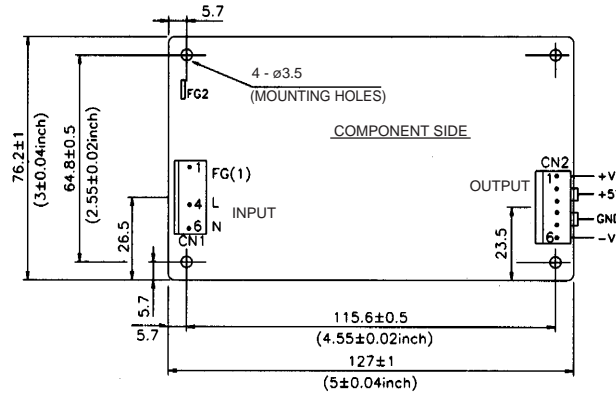
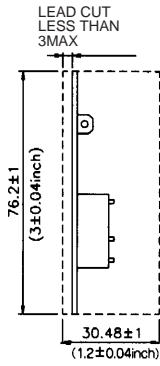
Model name	CH	Nominal output voltage	Min. output current	Max. output current	Max. peak output current	Total max. output power	UL	CSA	EN	
SWT65	SWT65-522	CH1	+5V	0.3A	6A	-	66W	○	○	○
		CH2	+12V	0A	2.5A	-				
		CH3	-12V	0A	0.5A	-				
	SWT65-5FF	CH1	+5V	0.3A	6A	-	64.5W	○	○	○
		CH2	+15V	0A	1.8A	-				
		CH3	-15V	0A	0.5A	-				
	SWT65-525	CH1	+5V	0.3A	6A	-	62.5W	○	○	○
		CH2	+12V	0A	2.5A	-				
		CH3	-5V	0A	0.5A	-				
SWT100	SWT100-522	CH1	+5V	0.5A	8A	-	97.6W	○	○	○
		CH2	+12V	0A	4A	-				
		CH3	-12V	0A	0.8A	-				
	SWT100-5FF	CH1	+5V	0.5A	8A	-	100W	○	○	○
		CH2	+15V	0A	3.2A	-				
		CH3	-15V	0A	0.8A	-				
	SWT100-525	CH1	+5V	0.5A	8A	-	92W	○	○	○
		CH2	+12V	0A	4A	-				
		CH3	-5V	0A	0.8A	-				

- Request customer specification for further details of specifications, outline, characteristics, etc. Read the instruction manual before usage.
- Contact us about delivery before ordering.

○ : Safety standard approved

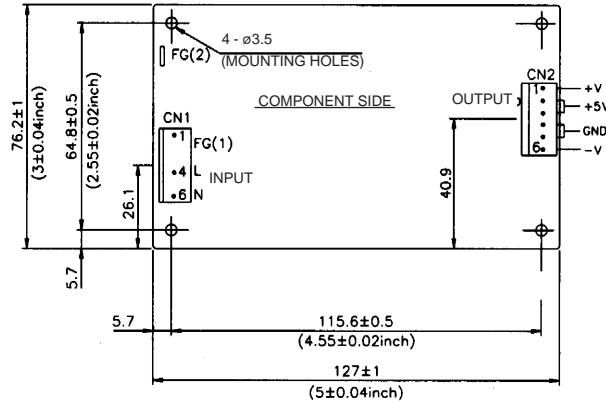
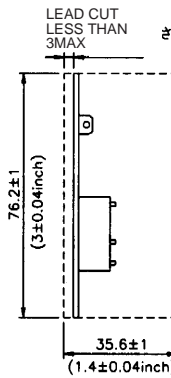
SWT-SERIES

SWT30



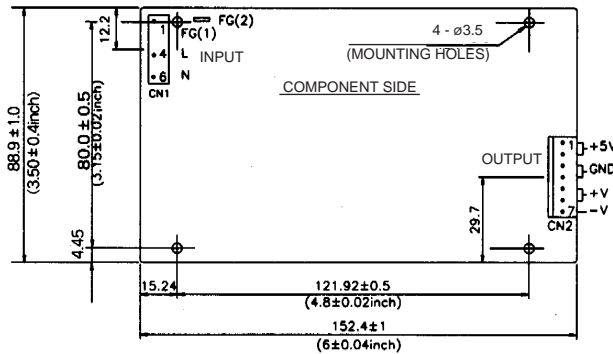
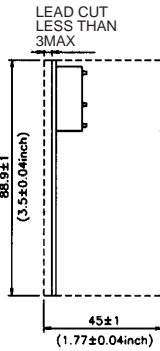
● Recommended Noise Filter
MAW-1202-22 GO!!
P134
(Unit: mm)

SWT40



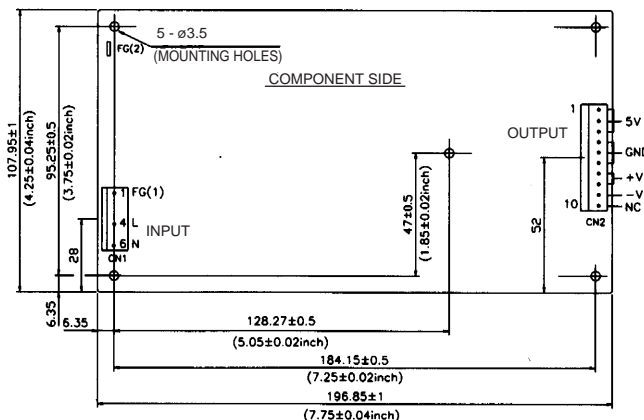
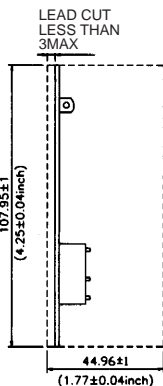
● Recommended Noise Filter
MAW-1202-22 GO!!
P134
(Unit: mm)

SWT65



● Recommended Noise Filter
MAW-1203-22 GO!!
P134
(Unit: mm)

SWT100



● Recommended Noise Filter
MAW-1205-22 GO!!
P134
(Unit: mm)

PC Board Type Power Supply