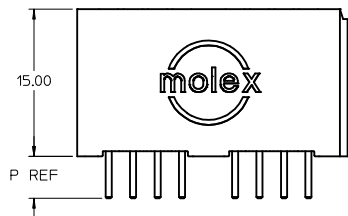
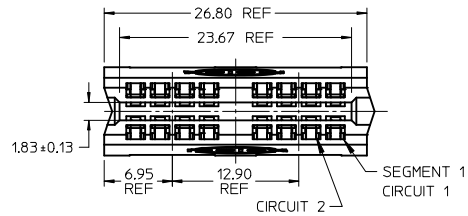
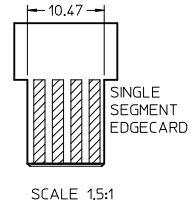
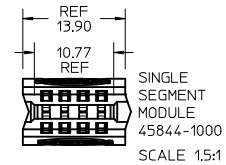
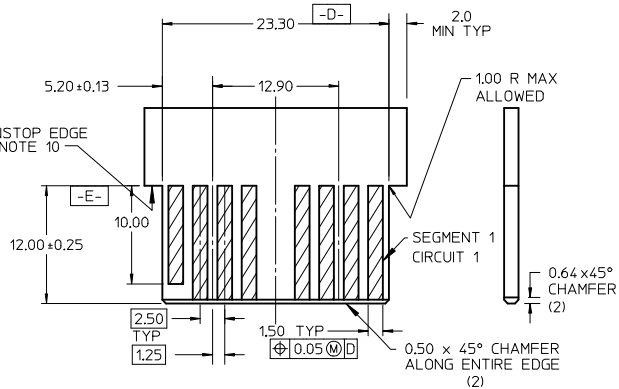


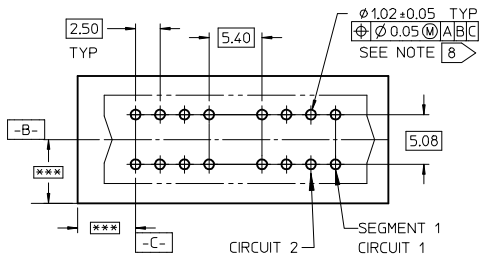
10 9 8 7 6 5 4 3 2 1



DOWNSTOP EDGE SEE NOTE 10



RECOMMENDED EDGE CARD LAYOUT  
 EDGE CARD THICKNESS: 1.57/0.62  
 PLATING: GOLD 30 μINCHES MIN  
 OVER 150 μINCHES NICKEL



PCB LAYOUT: COMPONENT SIDE  
 \*\*\* = TO BE DETERMINED BY CUSTOMER

NOTES:

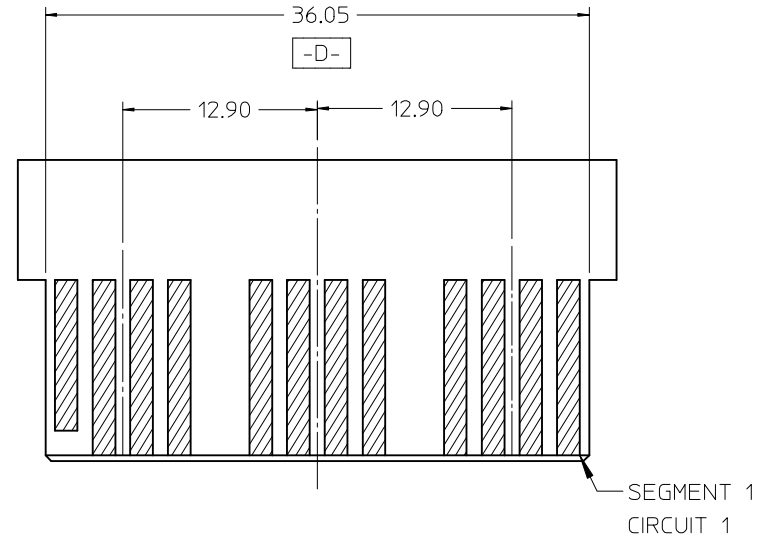
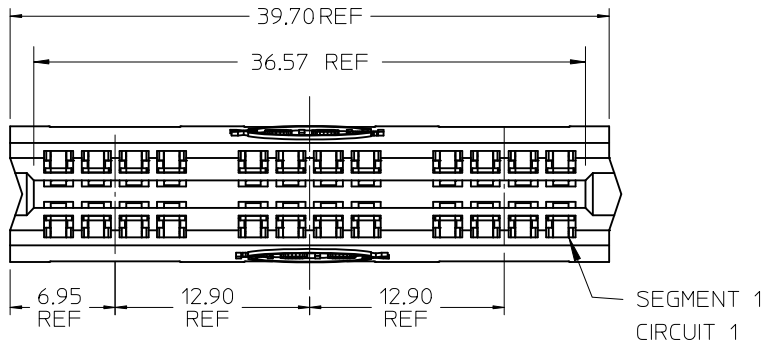
- HOUSING MATL: LCP, UL94V-0, BLACK  
 TERMINAL MATL: COPPER ALLOY
- FINISH: SELECT GOLD: 30 M.I. MIN IN CONTACT AREA  
 SELECT TIN: 150 M.I. MIN IN SOLDER AREA  
 BOTH OVER NICKEL: 50 M.I. MIN
- PRODUCT SPECIFICATION: PS-45719-001.
- PACKAGING SPECIFICATION: ES-45714-001.
- PCB THICKNESS: SEE CHART
- EDGE CARD THICKNESS: 1.57±0.08
- DIMENSIONS GIVEN ACROSS CENTERLINES ARE SYMMETRICAL ABOUT THOSE CENTERLINES WITHIN HALF THE TOTAL TOLERANCE
- PCB HOLE SPECIFICATION: SEE PS-45719-001.
- THIS EDGE WILL TOUCH HOUSING WHEN EDGE CARD IS FULLY SEATED

MATERIAL NUMBER	SEG'S	DIM P	PCB THK
45844-1000	1	4.33	3.18/2.36
45844-1001	1	3.19	1.57
45844-0001	2	4.33	3.18/2.36
45844-0004	2	3.19	1.57

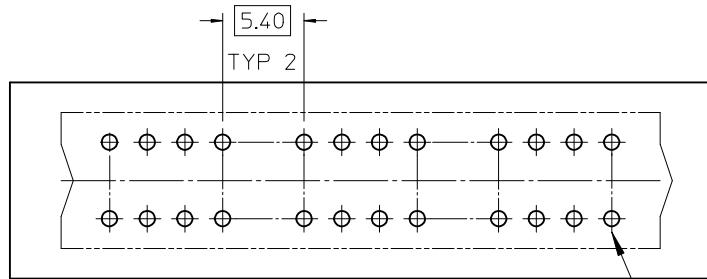
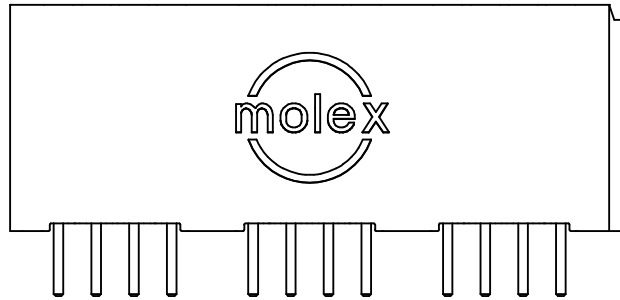
ADD DATUM E EC NO: UCP2014-5371 DRWN: JSCHAFFER 2014/08/27 CHKD: APPR: APATEL 2014/09/03 F4	QUALITY SYMBOLS ▽=0 ▽=0 ▽=0	GENERAL TOLERANCES (UNLESS SPECIFIED) <table border="1"> <tr> <th></th> <th>mm</th> <th>INCH</th> </tr> <tr> <td>4 PLACES</td> <td>SEE CHART</td> <td>±---</td> </tr> <tr> <td>3 PLACES</td> <td>±---</td> <td>±---</td> </tr> <tr> <td>2 PLACES</td> <td>±0.25</td> <td>±---</td> </tr> <tr> <td>1 PLACE</td> <td>±---</td> <td>±---</td> </tr> <tr> <td>0 PLACE</td> <td>±</td> <td>±</td> </tr> </table>		mm	INCH	4 PLACES	SEE CHART	±---	3 PLACES	±---	±---	2 PLACES	±0.25	±---	1 PLACE	±---	±---	0 PLACE	±	±	DIMENSION STYLE MM ONLY	SCALE 2:1	DESIGN UNITS METRIC	THIRD ANGLE PROJECTION
		mm	INCH																					
	4 PLACES	SEE CHART	±---																					
	3 PLACES	±---	±---																					
2 PLACES	±0.25	±---																						
1 PLACE	±---	±---																						
0 PLACE	±	±																						
		DRAWN BY DATE MARGULIS 2004/07/29	CHECKED BY DATE MARGULIS 2004/07/29	TITLE 5 POWER EDGE ASSEMBLY SIGNAL VERTICAL SOLDER TAIL																				
		APPROVED BY DATE MARGULIS 2004/07/29	MATERIAL NO. SEE CHARTS	DOCUMENT NO. SD-45844-001	SHEET NO. 1 OF 3																			
		ANGULAR ±1/2° DRAFT WHERE APPLICABLE MUST REMAIN WITHIN DIMENSIONS	SIZE B	THIS DRAWING CONTAINS INFORMATION THAT IS PROPRIETARY TO MOLEX INCORPORATED AND SHOULD NOT BE USED WITHOUT WRITTEN PERMISSION																				

9 8 7 6 5 4 3 2 1

SEE SHEET ONE FOR NOTES AND DIMENSIONS NOT SHOWN

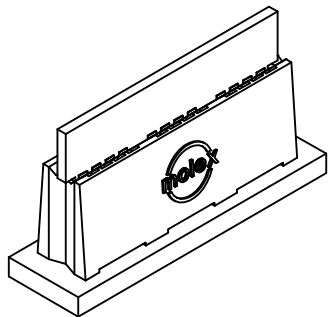


RECOMMENDED EDGE CARD LAYOUT:  
TOLERANCE: ±0.05



PBC LAYOUT: COMPONENT SIDE

TOOLING STATUS	MATERIAL NUMBER	SEG'S	DIM P	PCB THK
TOOLED	45844-0002	3	4.33	3.18/2.36
TOOLED	45844-0005	3	3.19	1.57



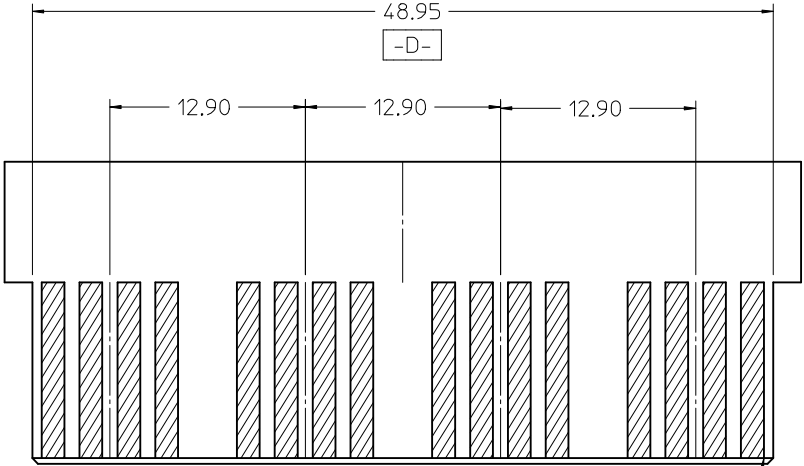
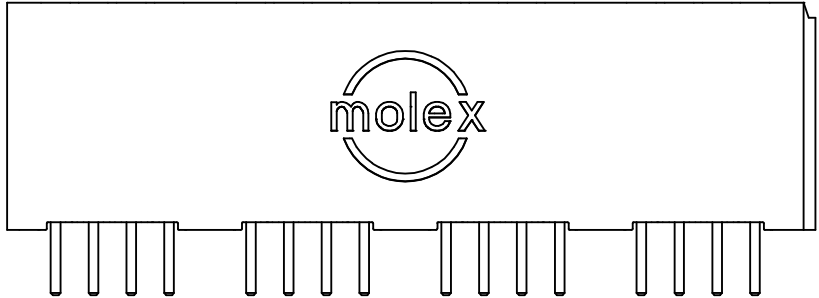
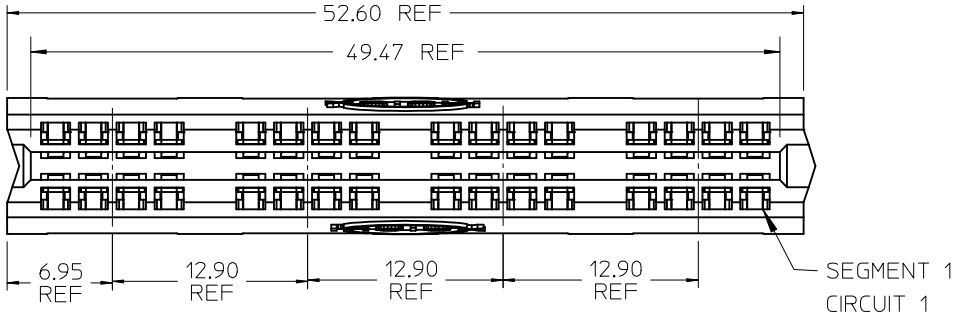
EC NO: UCP2014-5371	DRWN: JSCHAFFER	2014/08/27	CHKD: APPR: APATEL	2014/09/03
F4	REV	DESCRIPTION		

GENERAL TOLERANCES (UNLESS SPECIFIED)		
	mm	INCH
4 PLACES	± ---	± ---
3 PLACES	± ---	± ---
2 PLACES	± 0.25	± ---
1 PLACE	± ---	± ---
ANGULAR ± 1/2°		
DRAFT WHERE APPLICABLE MUST REMAIN WITHIN DIMENSIONS		

DIMENSION STYLE	
MM ONLY	
DRAWN BY	DATE
MARGULIS	2004/07/29
CHECKED BY	DATE
MARGULIS	2004/07/29
APPROVED BY	DATE
MARGULIS	2004/07/29
MATERIAL NUMBER SEE CHART	

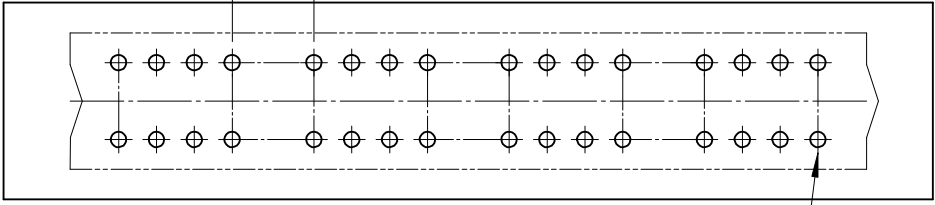
SCALE	DESIGN UNITS	THIRD ANGLE PROJECTION
2:1	METRIC	
TITLE		
POWER EDGE ASSEMBLY SIGNAL VERTICAL SOLDER TAIL		
MOLEX INCORPORATED		
DOCUMENT NO.	SHEET NO.	
SD-45844-001	2 OF 5	
THIS DRAWING CONTAINS INFORMATION THAT IS PROPRIETARY TO MOLEX INCORPORATED AND SHOULD NOT BE USED WITHOUT WRITTEN PERMISSION		

SEE SHEET ONE FOR NOTES AND DIMENSIONS NOT SHOWN

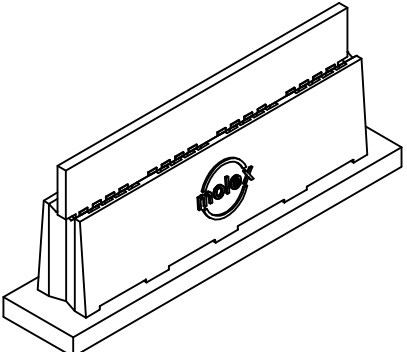


RECOMMENDED EDGE CARD LAYOUT  
TOLERANCE:±0.05

5.40  
TYP 3



TOOLING STATUS	MATERIAL NUMBER	SEG's	DIM P	PCB THK
TOOLED	45844-0003	4	4.33	3.18/2.36
TOOLED	45844-0006	4	3.19	1.57



EC NO: UCP2014-5371	DRWN: JSCHAFFER	2014/08/27
CHKD: APPR: APATEL	2014/09/03	
REV	DESCRIPTION	
F4		

GENERAL TOLERANCES (UNLESS SPECIFIED)		DIMENSION STYLE MM ONLY	
	mm	INCH	
4 PLACES	± ---	± ---	DRAWN BY DATE MARGULIS 2004/07/29
3 PLACES	± ---	± ---	CHECKED BY DATE MARGULIS 2004/07/29
2 PLACES	± 0.25	± ---	APPROVED BY DATE MARGULIS 2004/07/29
1 PLACE	± ---	± ---	MATERIAL NUMBER SEE CHART
ANGULAR ±1/2°		DRAFT WHERE APPLICABLE MUST REMAIN WITHIN DIMENSIONS	

SCALE 2:1	DESIGN UNITS METRIC	THIRD ANGLE PROJECTION
TITLE POWER EDGE ASSEMBLY SIGNAL VERTICAL SOLDER TAIL		
MOLEX INCORPORATED		
DOCUMENT NO. SD-45844-001	SHEET NO. 3 OF 5	

THIS DRAWING CONTAINS INFORMATION THAT IS PROPRIETARY TO MOLEX INCORPORATED AND SHOULD NOT BE USED WITHOUT WRITTEN PERMISSION		
---	--	--

6

5

4

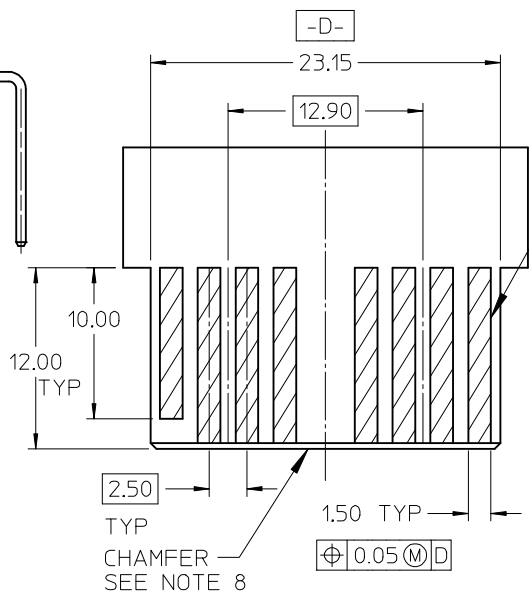
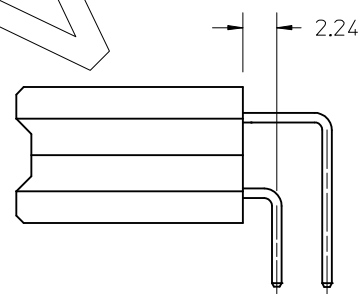
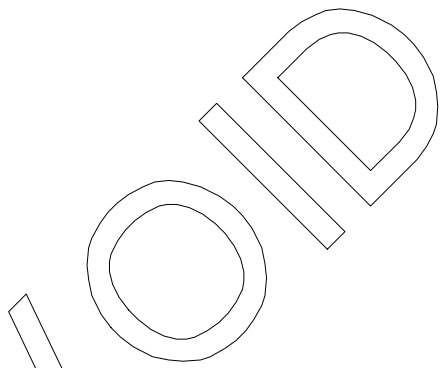
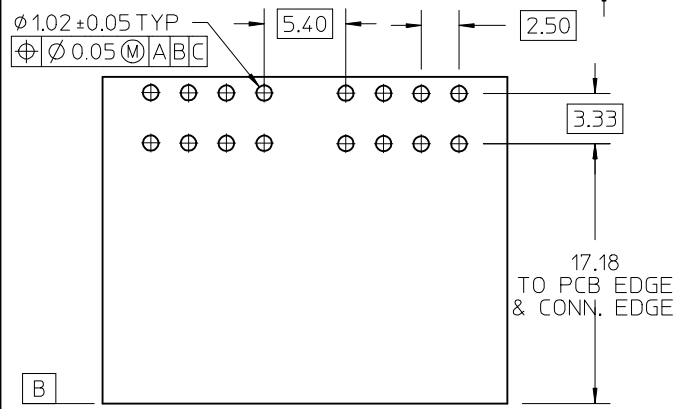
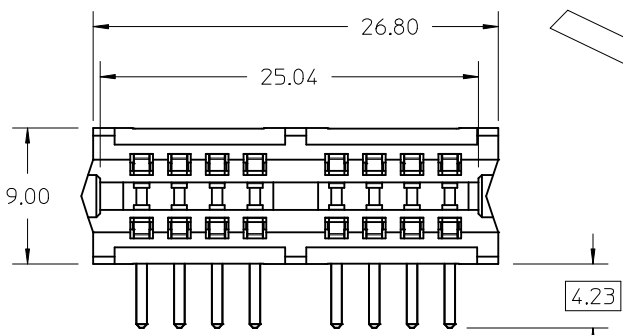
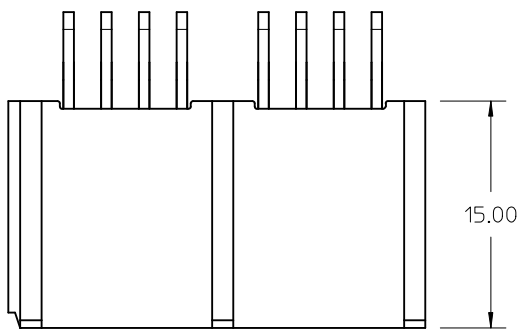
3

2

1

NOTES:

- HOUSING MATL: LCP, UL94V-0, BLACK  
TERMINAL MATL: COPPER ALLOY
- FINISH: SELECT GOLD: 30 M.I. MIN IN CONTACT AREA  
SELECT TIN: 150 M.I. MIN IN SOLDER AREA  
BOTH OVER NICKEL: 50 M.I. MIN
- PRODUCT SPECIFICATION: PS-45719-001.
- PACKAGING SPECIFICATION: PK-45714-001.
- PCB THICKNESS: SEE CHART
- EDGE CARD THICKNESS: 1.57±0.15
- DIMENSIONS GIVEN ACROSS CENTERLINES ARE SYMMETRICAL ABOUT THOSE CENTERLINES WITHIN HALF THE TOTAL TOLERANCE.
- 0.50 X 45° CHAMFER ON LEADING EDGE, TYP 4 SIDES.



RECOMMENDED EDGE CARD LAYOUT TOLERANCE: ±0.05

SEG's	MATERIAL NUMBER	DIM P	PCB THK
2	45844-0901	4.23	3.18/2.36
2	45844-0904	3.19	1.57

VOID DRAWING	EC NO: UCP2015-0887	DRWN: JSCHAFAER	2014/11/06
	CHKD: APATEL	APPR: APATEL	2014/11/10
REV	DESCRIPTION		
A			

GENERAL TOLERANCES (UNLESS SPECIFIED)		
	mm	INCH
4 PLACES	± ---	± ---
3 PLACES	± ---	± ---
2 PLACES	± 0.25	± ---
1 PLACE	± ---	± ---
ANGULAR ±1/2°		
DRAFT WHERE APPLICABLE MUST REMAIN WITHIN DIMENSIONS		

DIMENSION STYLE	
MM ONLY	
DRAWN BY	DATE
JSCHAFAER	2011/11/07
CHECKED BY	DATE
APPROVED BY	DATE
APATEL	2014/08/25
SEE CHART	
SIZE	
A	

SCALE	DESIGN UNITS	THIRD ANGLE PROJECTION
2:1	METRIC	
TITLE		
POWER EDGE ASSEMBLY SIGNAL RT ANGLE SOLDER TAIL		
MOLEX INCORPORATED		
DOCUMENT NO.	SHEET NO.	
SD-45844-002	1 OF 4	

5

4

3

2

1

6

5

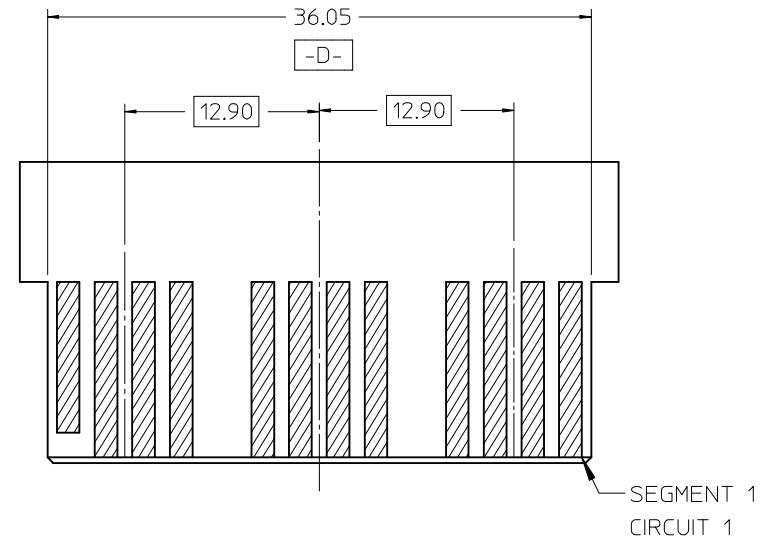
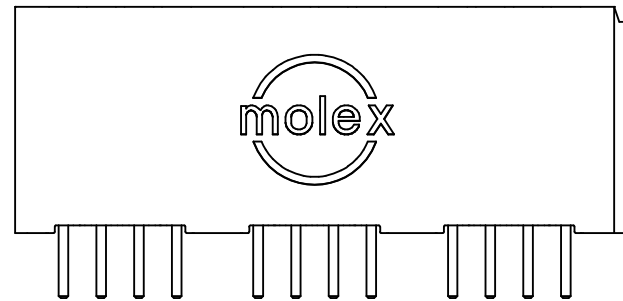
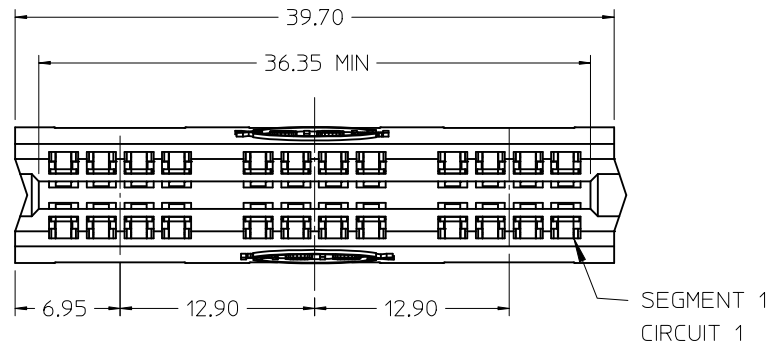
4

3

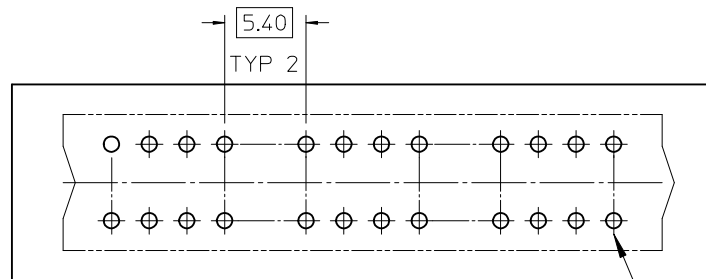
2

1

SEE SHEET ONE FOR NOTES AND DIMENSIONS NOT SHOWN

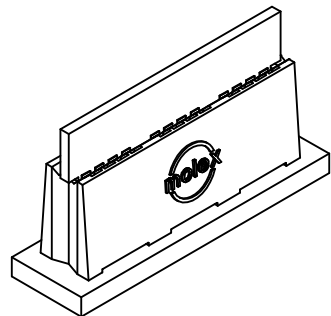


RECOMMENDED EDGE CARD LAYOUT:  
TOLERANCE:  $\pm 0.05$



PBC LAYOUT: COMPONENT SIDE

SEG's	MATERIAL NUMBER	DIM P	PCB THK
3	45844-0902	4.23	3.18/2.36
3	45844-0905	3.19	1.57



EC NO: UCP2015-0887	DRWN: JSCHAFFER	2014/11/06	DESCRIPTION
CHKD: APATEL	APPR: APATEL	2014/11/10	
REV			
A			

GENERAL TOLERANCES  
(UNLESS SPECIFIED)

	mm	INCH
4 PLACES	$\pm$ ---	$\pm$ ---
3 PLACES	$\pm$ ---	$\pm$ ---
2 PLACES	$\pm 0.25$	$\pm$ ---
1 PLACE	$\pm$ ---	$\pm$ ---

ANGULAR  $\pm 1/2^\circ$

DRAFT WHERE APPLICABLE  
MUST REMAIN  
WITHIN DIMENSIONS

DIMENSION STYLE  
MM ONLY

DRAWN BY	DATE
JSCHAFFER	2011/11/07
CHECKED BY	DATE

APPROVED BY	DATE
APATEL	2014/08/25

MATERIAL NUMBER	SEE CHART
-----------------	-----------

SIZE  
A

THIS DRAWING CONTAINS INFORMATION THAT IS PROPRIETARY TO MOLEX INCORPORATED AND SHOULD NOT BE USED WITHOUT WRITTEN PERMISSION

SCALE  
2:1

DESIGN UNITS  
METRIC

THIRD ANGLE  
PROJECTION

TITLE  
POWER EDGE ASSEMBLY  
SIGNAL RT ANGLE  
SOLDER TAIL

molex MOLEX INCORPORATED

DOCUMENT NO.  
SD-45844-002

SHEET NO.  
2

5

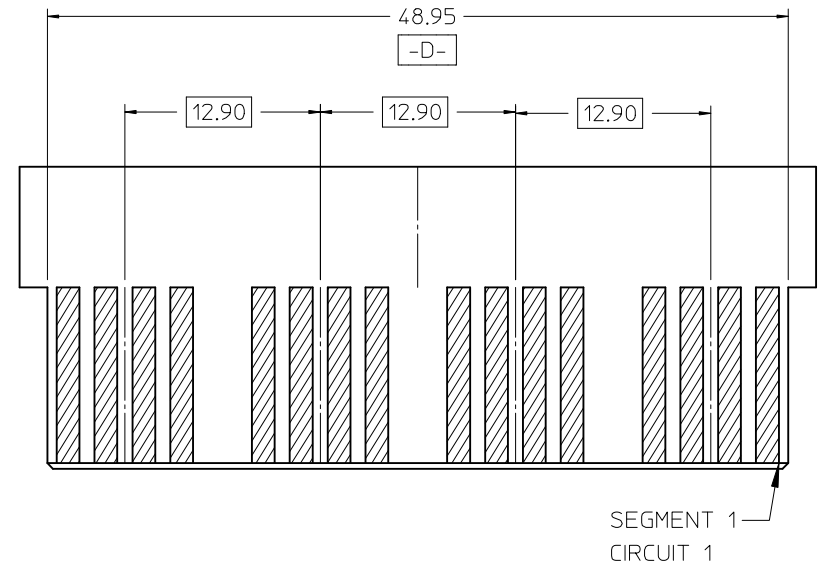
4

3

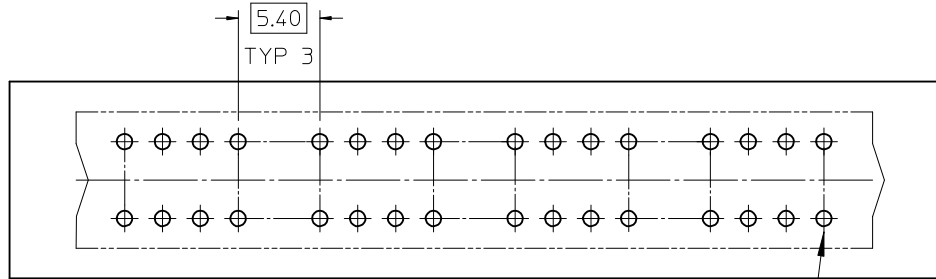
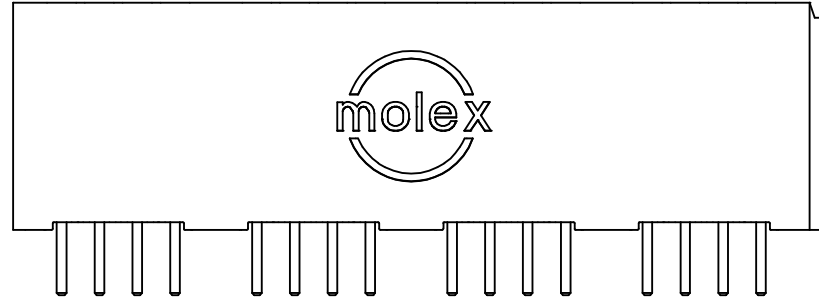
2

1

SEE SHEET ONE FOR NOTES AND DIMENSIONS NOT SHOWN

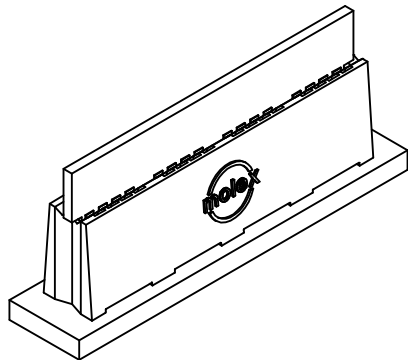


RECOMMENDED EDGE CARD LAYOUT  
TOLERANCE: ±0.05



PCB LAYOUT: COMPONENT SIDE

SEG's	MATERIAL NUMBER	DIM P	PCB THK
4	45844-0903	4.23	3.18/2.36
4	45844-0906	3.19	1.57



EC NO: UCP2015-0887	DRWN: JSCHAFAER	2014/11/06
CHKD: CH'KD:	APPR: APATEL	2014/11/10
REV	DESCRIPTION	
A		

GENERAL TOLERANCES (UNLESS SPECIFIED)	
	mm INCH
4 PLACES	± --- ± ---
3 PLACES	± --- ± ---
2 PLACES	± 0.25 ± ---
1 PLACE	± --- ± ---
ANGULAR ±1/2°	
DRAFT WHERE APPLICABLE MUST REMAIN WITHIN DIMENSIONS	

DIMENSION STYLE MM ONLY	
DRAWN BY	DATE
JSCHAFAER	2011/11/07
CHECKED BY	DATE
APPROVED BY	DATE
APATEL	2014/08/25
MATERIAL NUMBER	SEE CHART

SCALE 2:1	DESIGN UNITS METRIC	THIRD ANGLE PROJECTION
TITLE POWER EDGE ASSEMBLY SIGNAL RT ANGLE SOLDER TAIL		
MOLEX INCORPORATED		
DOCUMENT NO. SD-45844-002	SHEET NO. 3	
THIS DRAWING CONTAINS INFORMATION THAT IS PROPRIETARY TO MOLEX INCORPORATED AND SHOULD NOT BE USED WITHOUT WRITTEN PERMISSION		

6

5

4

3

2

1

D

C

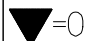
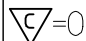
B

A

ADD END LATCH OPTION


EC NO: UCP2015-0887  
 DRWN: JSCHAFAER 2014/11/06  
 CHKD:  
 APPR: APATEL 2014/11/10

REV	DESCRIPTION
A	

QUALITY SYMBOLS
 = 0
 = 0

GENERAL TOLERANCES (UNLESS SPECIFIED)		
	mm	INCH
4 PLACES	± ---	± ---
3 PLACES	± ---	± ---
2 PLACES	± 0.25	± ---
1 PLACE	± ---	± ---
ANGULAR ± 1/2°		
DRAFT WHERE APPLICABLE MUST REMAIN WITHIN DIMENSIONS		

DIMENSION STYLE	
MM ONLY	
DRAWN BY	DATE
JSCHAFAER	2011/11/07
CHECKED BY	DATE
APPROVED BY	DATE
APATEL	2014/08/25
MATERIAL NO.	
SEE CHARTS	
SIZE	
A	

SCALE	DESIGN UNITS	THIRD ANGLE PROJECTION	
2:1	METRIC		
TITLE			
POWER EDGE ASSEMBLY SIGNAL RT ANGLE SOLDER TAIL			
MOLEX INCORPORATED			
DOCUMENT NO.		SHEET NO.	
SD-45844-002		4 OF 4	

5

4

3

2

1